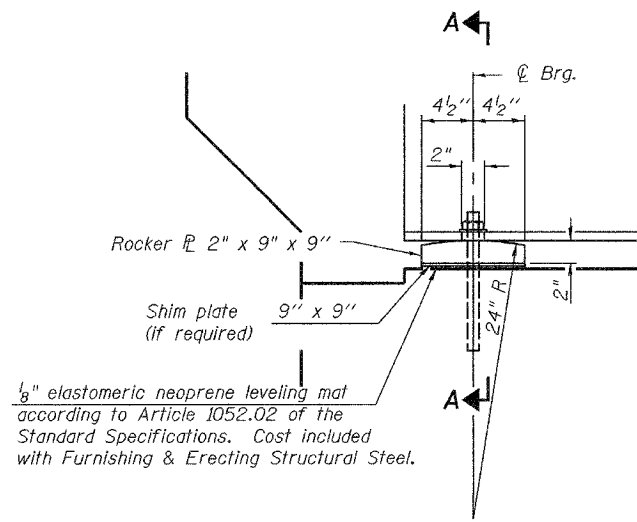


STATE OF ILLINOIS  
DEPARTMENT OF TRANSPORTATION

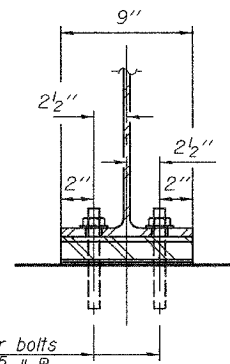
ROUTE NO.	SECTION	COUNTY	TOTAL SHEETS	SHEET NO.	SHEET NO. 12
F.A.S. 1848	28-4BR	ST. CLAIR	101	79	22 SHEETS
FED. ROAD DIST. NO. 7	ILLINOIS	FED. AID PROJECT-			

Contract #76394



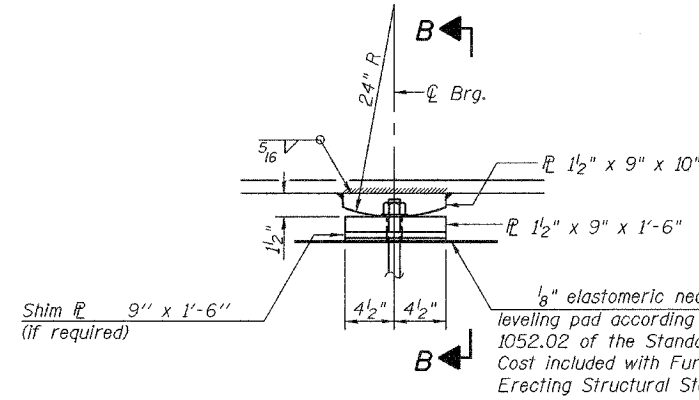
ELEVATION AT ABUTMENT

**FIXED BEARING**  
14 Required



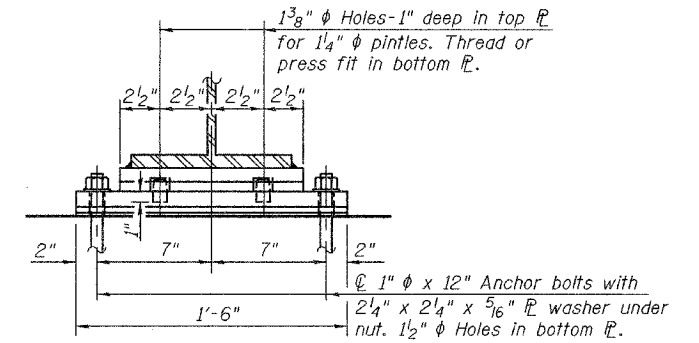
SECTION A-A

1"  $\phi$  x 12" anchor bolts with 2 1/4" x 2 1/4" x 5/16"  $\phi$  washer under nut. 1 3/8" x 2" slotted hole in flange. 1/2"  $\phi$  holes in bearing plate. (Contractor has the option of cast in place or drilled construction.)

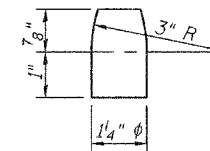


ELEVATION

**FIXED BEARINGS AT PIERS**  
14 Required



SECTION B-B



PINTLE

Notes:

Anchor bolts at fixed bearings may be built into the masonry. See sheet 13 of 22 for anchor bolt installation details. All structural steel for the fixed bearing at piers including plate materials and pintles shall be AASHTO M270 Grade 50, except shim plates.

DESIGNED	M.D. Cima
CHECKED	R.J.C.
DRAWN	W.D. Collins
CHECKED	M.D.C. R.J.C.

March 17, 2006  
EXAMINED *Thomas J. Domagalaki*  
PASSED *Ralph E. Anderson*  
ENGINEER OF BRIDGES AND STRUCTURES

**BEARING DETAILS**  
F.A.S. ROUTE 1848 - SECTION 28-4BR  
ST. CLAIR COUNTY  
STATION 356+18.50  
STRUCTURE NO. 082-0272