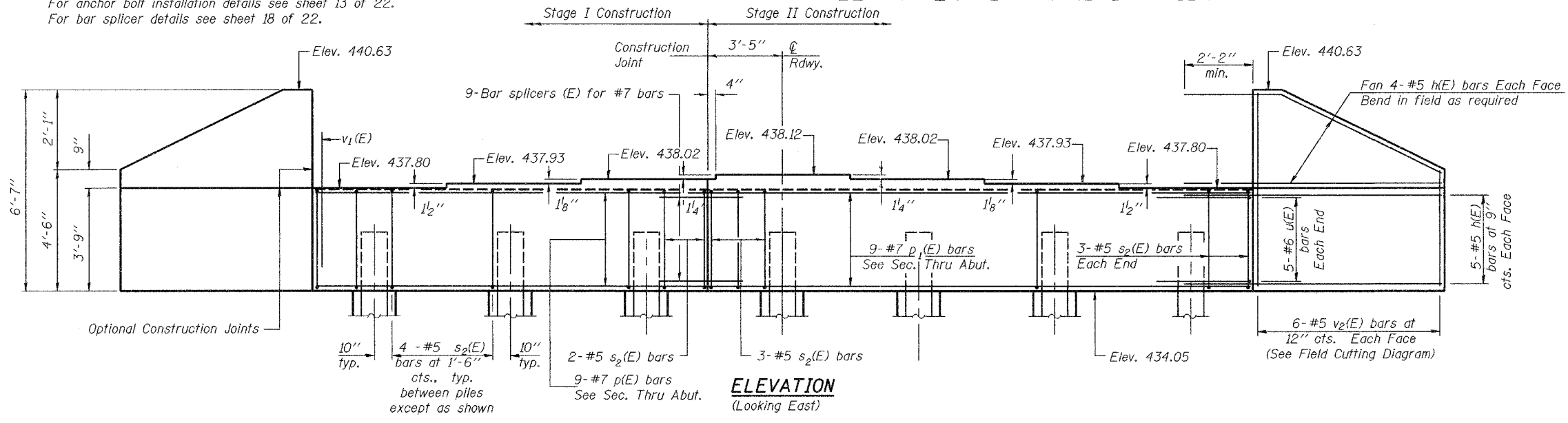


Notes: Four steps monolithically with cap.
 Reinforcement bars designated (E) shall be epoxy coated.
 Space reinforcement in cap to miss anchor bolts.
 For anchor bolt installation details see sheet 13 of 22.
 For bar splicer details see sheet 18 of 22.

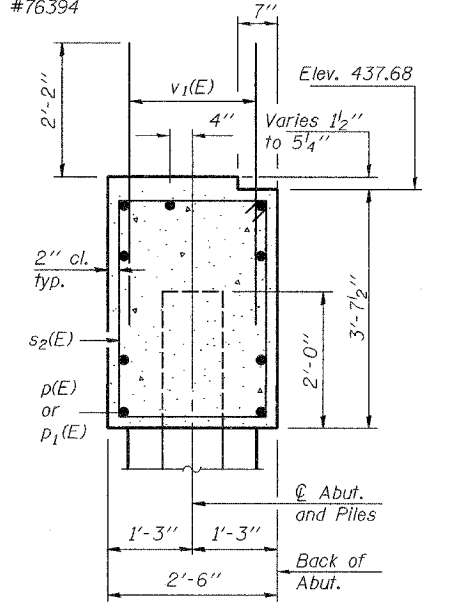
STATE OF ILLINOIS
 DEPARTMENT OF TRANSPORTATION

ROUTE NO.	SECTION	COUNTY	SHEETS	SHEET	SHEET NO. 15
F.A.S. 1848	28-4BR	ST. CLAIR	101	82	22 SHEETS
FED. ROAD DIST. NO. 7	B.LINDBS	FED. AID PROJECT			

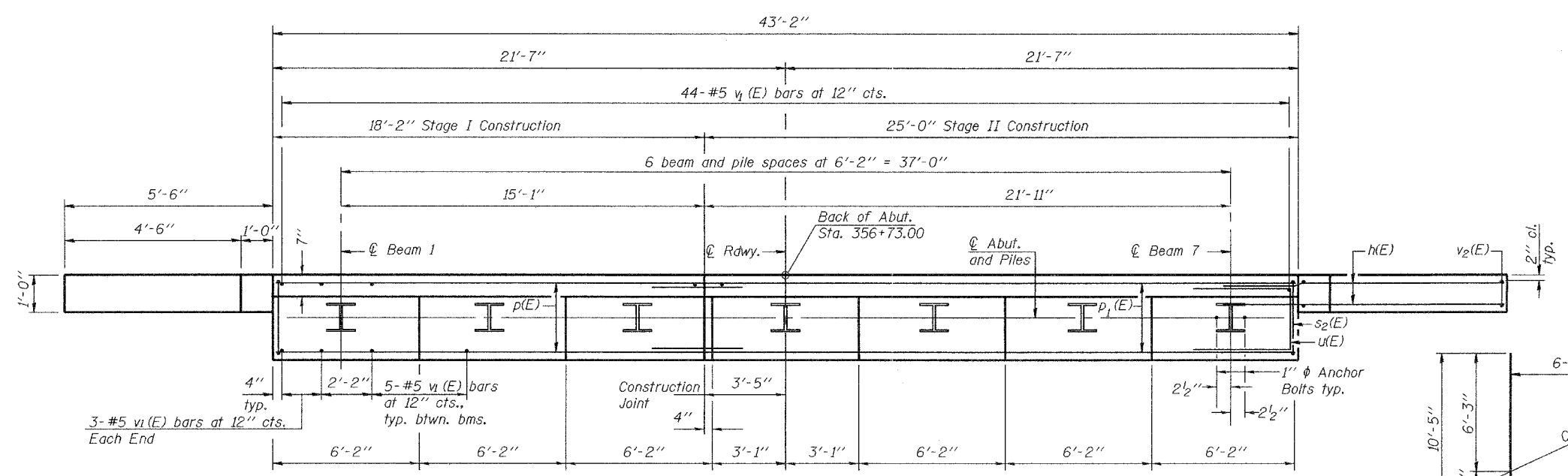
Contract #76394



ELEVATION
 (Looking East)



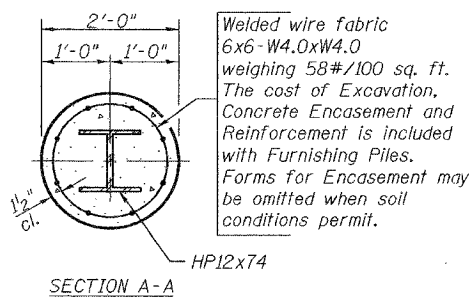
SEC. THRU ABUT.



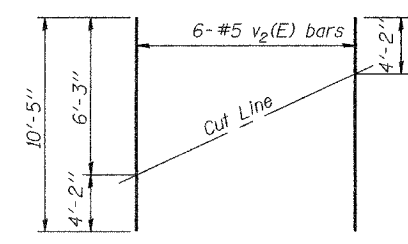
PLAN

PILE DATA

Type: Refusal HP12x74 with Pile Shoes
 Nominal Required Bearing: 588.5 Tons
 Nominal Design Capacity: 392.5 Tons
 Est. Length: 55'
 No. Required: 7

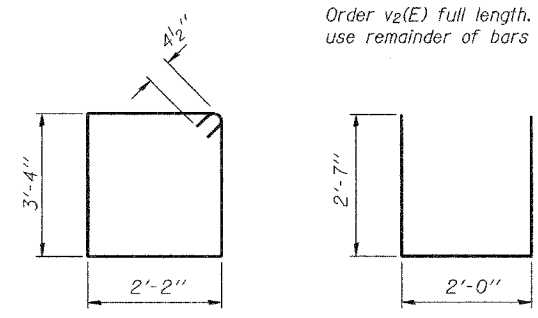


PILE ENCASEMENT DETAIL



FIELD CUTTING DIAGRAM

Order v2(E) full length. Cut as shown and use remainder of bars in opposite face.



BAR s2(E)

BAR u(E)

BILL OF MATERIAL

Bar	No.	Size	Length	Shape
h(E)	36	#5	7'-6"	
p(E)	9	#7	17'-10"	
p1(E)	9	#7	24'-8"	
s2(E)	31	#5	11'-9"	□
u(E)	10	#6	7'-2"	□
v1(E)	80	#5	4'-4"	
v2(E)	12	#5	10'-5"	
Concrete Structures		Cu. Yd.	17.9	
Reinforcement Bars, Epoxy Coated		Pound	2,050	
Structure Excavation		Cu. Yd.	92.5	
Furnishing Steel Piles HP12x74		Foot	385	
Driving Piles		Foot	385	
Pile Shoes		Each	7	

EAST ABUTMENT
 F.A.S. ROUTE 1848 - SECTION 28-4BR
 ST. CLAIR COUNTY
 STATION 356+18.50
 STRUCTURE NO. 082-0272

DESIGNED	M.D. Cima
CHECKED	R.J.C.
DRAWN	W.D. Collins
CHECKED	M.D.C. R.J.C.

March 17, 2006
 EXAMINED *Thomas J. Domagalaki*
 ENGINEER OF BRIDGE DESIGN
 PASSED *Ralph E. Anderson*
 ENGINEER OF BRIDGES AND STRUCTURES