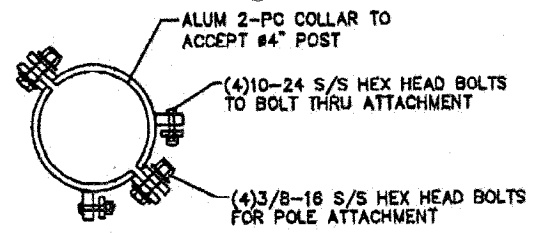
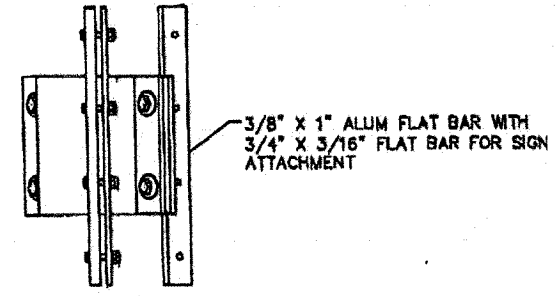


CAST ALUM ADAPT BARS WELDED TO POLE & TAPPED 3/8-16 IN CENTER.



TOP VIEW



SIDE VIEW

2X MOUNTING COLLARS TO FIT 4" DIA POLE. COLLARS TO SECURE 1/8" THICK POLYCARBONATE SIGN PADDLES PROVIDED BY OTHERS. POWDER COAT FINISH (COLOR TBD).

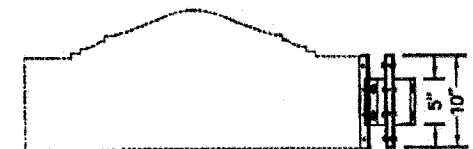
**COLLAR:** FABRICATED EXTRUDED ALUM CONSTRUCTION.

**SIGN BRACKET:** 1" X 3/8" EXTRUDED ALUM FLAT BAR WITH 3/4" X 3/16" FLAT BAR MOUNTING ADAPTER.

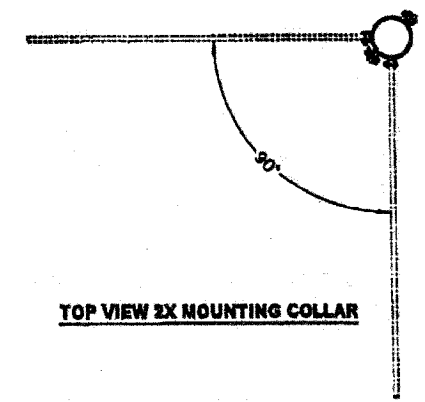
**PADDLES:** 1/8" THICK POLYCARBONATE WITH VINYL OVERLAYS. (BY OTHERS)

**FASTENERS:** ALL FASTENERS ARE STAINLESS STEEL. (TAMPER RESISTANT WHERE REQUIRED).

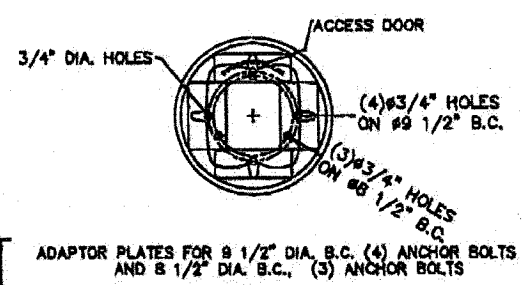
**FINISH:** POLYESTER POWDER COAT ELECTROSTATICALLY APPLIED AND THERMOCURD.



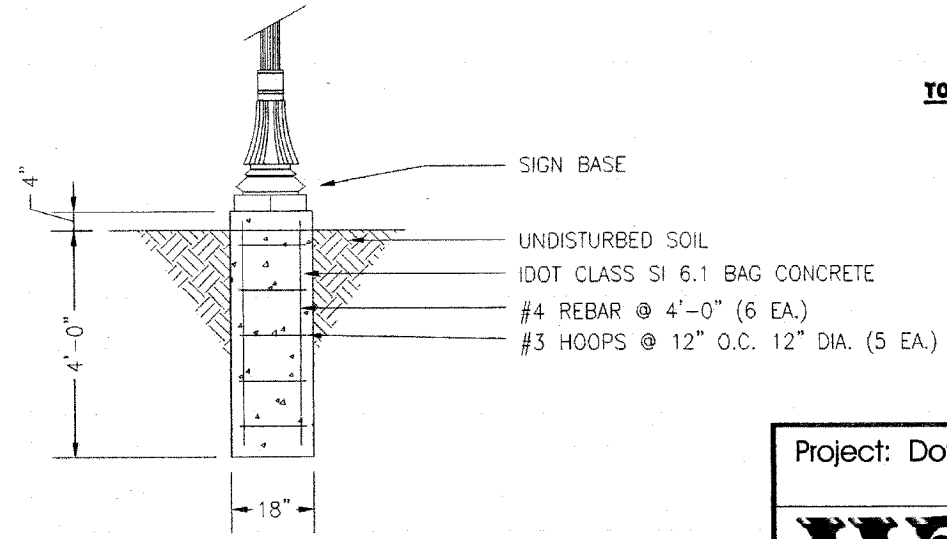
SIDE VIEW 2X MOUNTING COLLAR



TOP VIEW 2X MOUNTING COLLAR



ADAPTOR PLATES FOR #9 1/2" DIA. B.C. (4) ANCHOR BOLTS AND #6 1/2" DIA. B.C., (3) ANCHOR BOLTS



Footing Detail

Project: Downers Grove Ornamental Post

Sign Type: Post  
Sign Number:

Serge Ruffolo (630) 972-7770 Ext. 1107  
1740 International Parkway (888) 744-6765  
Woodridge, Illinois 60517 (630) 972-9680 fax

Scale: NTS Date: 1-5-05

Approved:

TYPE 1 SIGN POLE AND MOUNTING DETAIL

SECTION	COUNTY	TOTAL SHEETS	SHEET NO.
DU PAGE		1	1



OGDEN AVENUE STREET SIGN MODERNIZATION

DRAWN BY: RWB CHECKED BY: D.J.G.  
DATE: 1/14/05 PROJECT NO. #18-04  
REVISION: 8/05/05 SHEET 7 OF 7  
FILE NAME: C:\CADFILES\OGDEN AVE\OGDEN-AVE-SIGNS

REVISIONS	
NAME	DATE