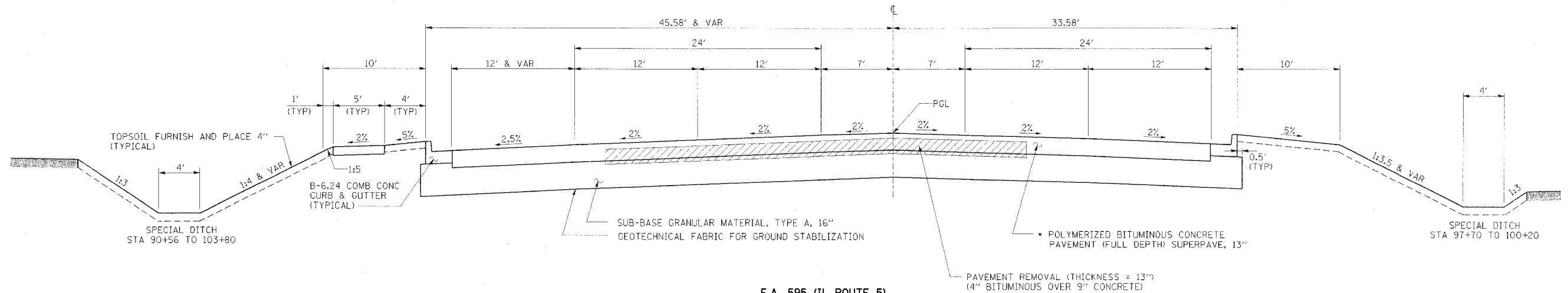


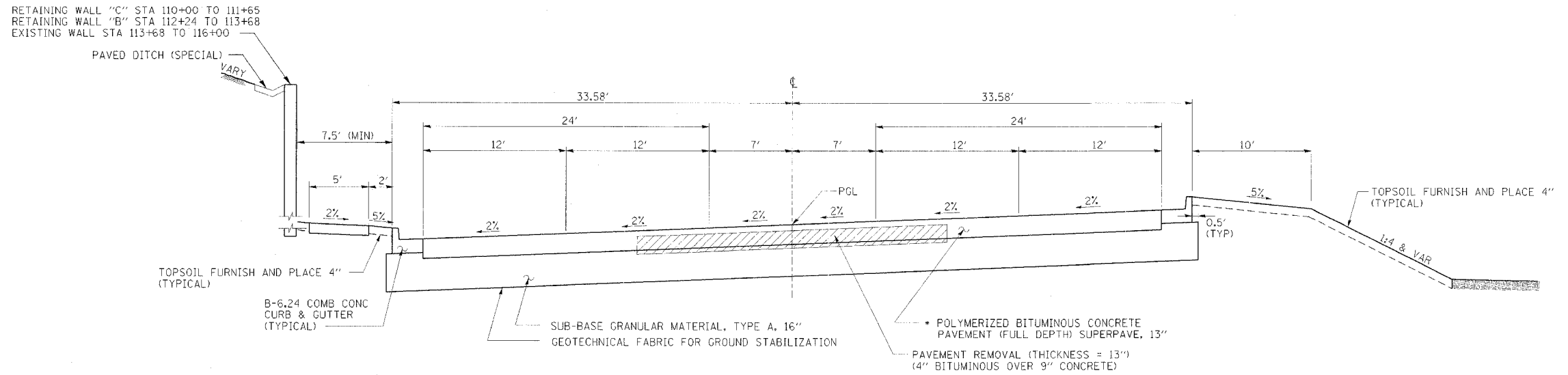
TYPICAL SECTIONS

F.A. RTE	SECTION	COUNTY	TOTAL SHEETS	SHEET NO.
595	1 - 1	ROCK ISLAND	239	11
STA	TO STA			
FED ROAD DIST NO	ILLINOIS FED AID PROJECT			
CONTRACT # 84986				



E.A. 595 (IL ROUTE 5)

4-LANE NORMAL SECTION WITH TURN LANE
 STA 97+06.79 TO STA 100+91.79 (LT SIDE)
 STA 97+32.42 TO STA 100+91.79 (RT SIDE)



E.A. 595 (IL ROUTE 5)

4-LANE SUPERELEVATED SECTION
 SE TRNS STA 110+79.38 TO STA 112+95.96
 SE 2.0% STA 112+95.96 TO STA 116+00 (END PROJECT)

- 2" POLYMERIZED BITUMINOUS CONCRETE SURFACE COURSE, SUPERPAVE, MIX "D", N50
- 2 1/4" POLYMERIZED BITUMINOUS CONCRETE BINDER COURSE, SUPERPAVE, IL-19.0, N50 (TOP LIFT BINDER)
- 8 3/4" BITUMINOUS CONCRETE BINDER COURSE, SUPERPAVE, IL-19.0, N50 (BOTTOM LIFTS BINDER)

ILLINOIS PROFESSIONAL
 DESIGN FIRM NO. 184-001533

 850 West Higgins Road, Suite 130, Chicago, Illinois 60630-2883
 www.stanleygroup.com

REVISIONS	
NAME	DATE

ILLINOIS DEPARTMENT OF TRANSPORTATION
TYPICAL SECTIONS
 SCALE: VERT. _____
 HORIZ. _____
 DATE _____
 DRAWN BY _____
 CHECKED BY _____