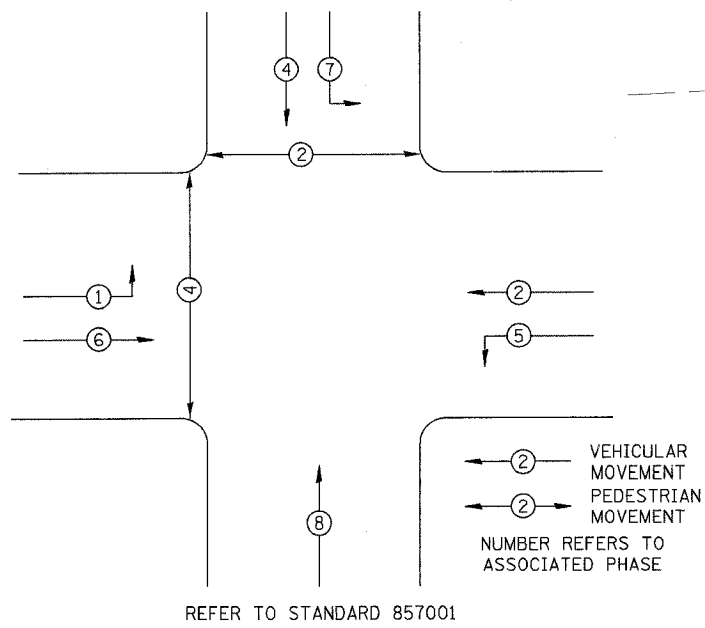


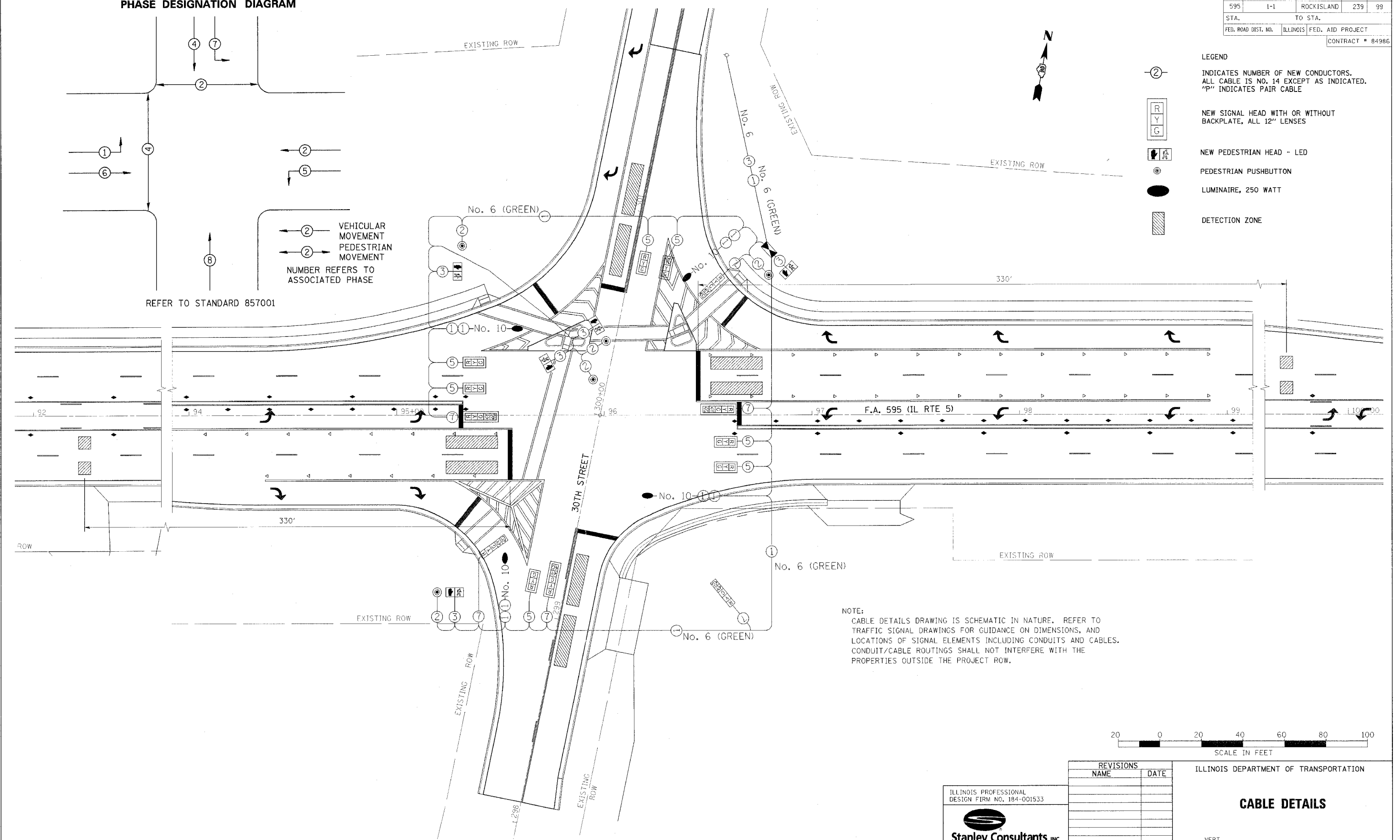
F.A. RTE.	SECTION	COUNTY	TOTAL SHEETS	SHEET NO.
595	1-1	ROCKISLAND	239	99
STA.		TO STA.		
FED. ROAD DIST. NO.	ILLINOIS	FED. AID PROJECT		
		CONTRACT # 84986		

PHASE DESIGNATION DIAGRAM

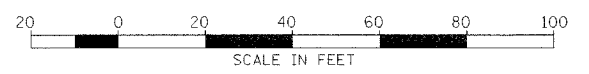


- LEGEND**
- ② INDICATES NUMBER OF NEW CONDUCTORS. ALL CABLE IS NO. 14 EXCEPT AS INDICATED. "P" INDICATES PAIR CABLE
 - | |
|---|
| R |
| Y |
| G |

 NEW SIGNAL HEAD WITH OR WITHOUT BACKPLATE, ALL 12" LENSES
 - NEW PEDESTRIAN HEAD - LED
 - PEDESTRIAN PUSHBUTTON
 - LUMINAIRE, 250 WATT
 - DETECTION ZONE



NOTE:
 CABLE DETAILS DRAWING IS SCHEMATIC IN NATURE. REFER TO TRAFFIC SIGNAL DRAWINGS FOR GUIDANCE ON DIMENSIONS, AND LOCATIONS OF SIGNAL ELEMENTS INCLUDING CONDUITS AND CABLES. CONDUIT/CABLE ROUTINGS SHALL NOT INTERFERE WITH THE PROPERTIES OUTSIDE THE PROJECT ROW.



ILLINOIS PROFESSIONAL DESIGN FIRM NO. 184-001533

Stanley Consultants inc.

857 West Higgins Road, Suite 750, Chicago, Illinois 60632-2801
 www.stanleygrp.com

REVISIONS	
NAME	DATE

ILLINOIS DEPARTMENT OF TRANSPORTATION

CABLE DETAILS

SCALE: VERT. _____
 HORIZ. _____

DATE: _____

DRAWN BY: _____
 CHECKED BY: _____