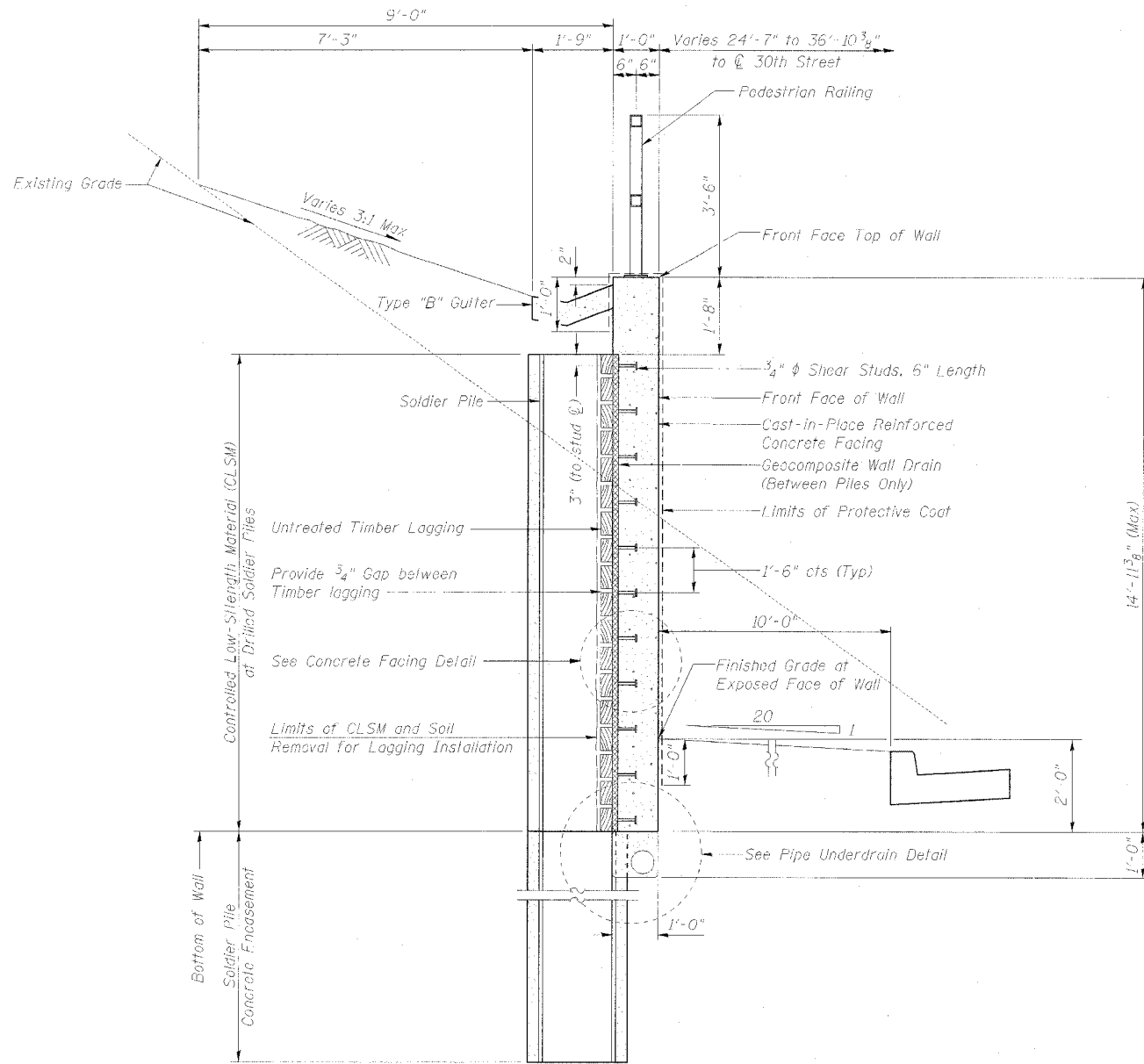
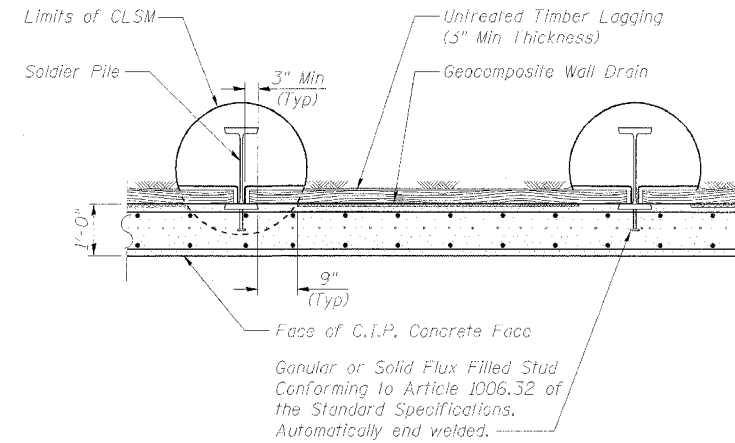


STATE OF ILLINOIS
DEPARTMENT OF TRANSPORTATION

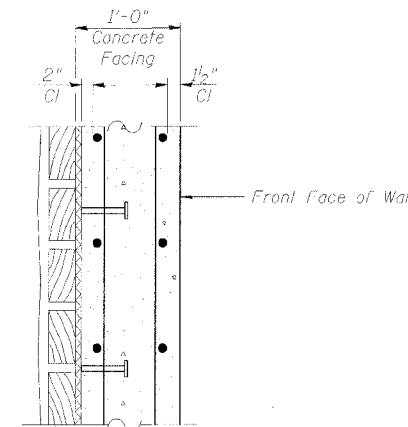
FIGURE NO.	SECTION	COUNTY	SHEET NO.	SHEET TOTAL
595	1-1	ROCK ISLAND	239	135
FED. ROAD DIST. NO. 7		ILLINOIS	PROJECT	
Contract No. 84986				



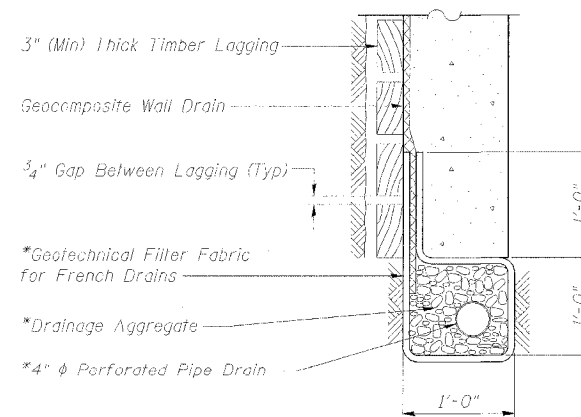
TYPICAL SECTION



PLAN VIEW



CONCRETE FACING DETAIL



PIPE UNDERDRAIN DETAIL

(Between piles shown, at piles similar. See Note 2.)

*Included in the cost of "Pipe Underdrain for Structures 4". See Note 1.

NOTES:

1. Pipe Underdrains, Aggregate for French Drains and Geotechnical Filter Fabric for French Drains shall be according to Section 601 of the Standard Specifications, except that this material will not be paid for separately, but shall be paid for at the Contract Unit Price per foot for "Pipe Underdrain for Structures 4".
2. Pipe Underdrain for Structures 4" will only be installed under the wall running along 30th Street and not under the return wall at the north end of the retaining wall.

DESIGNED	NDR
CHECKED	DSE
DRAWN	RTT
CHECKED	DSE
DATE	JAN 31, 2006

Illinois Firm Registration No. 84-00533

850 West Higgins Road, Suite 730, Chicago, Illinois 60631-2809
www.stanleygroup.com

TYPICAL SECTION AND DETAIL
RETAINING WALL E ALONG
30TH STREET
FA 595 (IL ROUTE 5) SECTION 1-1
ROCK ISLAND COUNTY
STA 302+50.00 TO STA 304+10.00
STRUCTURE NO. 081-W007