

STATE OF ILLINOIS
DEPARTMENT OF TRANSPORTATION

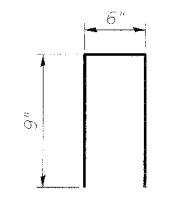
ROUTE NO.	SECTION	COUNTY	SUBSECT.	SHEET NO.	SHEET NO. 6 12 SHEETS
595	I-1	ROCK ISLAND	239	138	
FED. ROAD DIST. NO. 2		ALIGNMENT		FED. AID PROJECT	
Contract No. 84986					

BILL OF MATERIAL

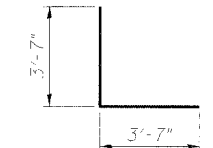
Bar	No.	Size	Length	Shape
d1 (E)	32	#4	2'-0"	□
h52 (E)	2	#4	31'-9"	—
h53 (E)	2	#4	17'-4"	—
h54 (E)	2	#4	9'-8"	—
h55 (E)	2	#4	16'-9"	—
h57 (E)	52	#6	32'-8"	—
h58 (E)	28	#6	18'-4"	—
h59 (E)	26	#6	9'-9"	—
h61 (E)	2	#6	10'-6"	—
h62 (E)	6	#6	10'-1"	—
h63 (E)	2	#4	3'-8"	—
h64 (E)	2	#4	8'-10"	—
h66 (E)	12	#6	7'-2"	L
v44 (E)	120	#4	10'-0"	—
v45 (E)	62	#4	6'-4"	—
v46 (E)	36	#4	5'-4"	—
v47 (E)	10	#4	6'-10"	—
v48 (E)	22	#4	4'-8"	—
Structure Excavation	Cu Yd		30.8	
Concrete Structures	Cu Yd		31	
Reinforcement Bars, Epoxy Coated	Pound		5380	

Reinforcement bars designated (E) shall be epoxy coated.
See Sheet 2 of 12 for Expansion Joint and Water Seal Placement Detail.
See Sheet 7 of 12 for Pedestrian Railing Details.
See Sheet 3 of 12 for Retaining Wall, Typical Section and Underdrain Details.
Min Lap Length: #4 bar = 1'-8"
#6 bar = 2'-7"

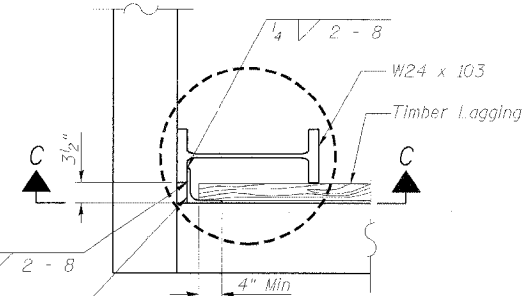
* See Field Cutting Diagram



BAR d1 (E)

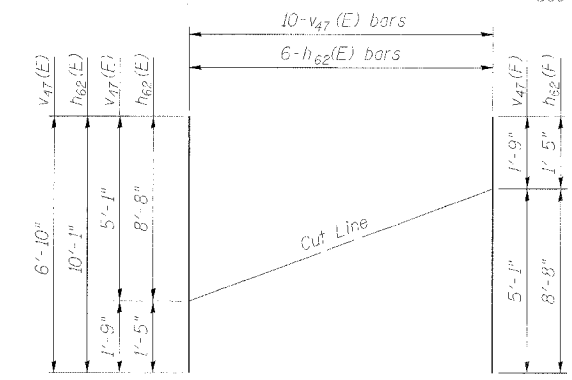


BAR h66 (E)



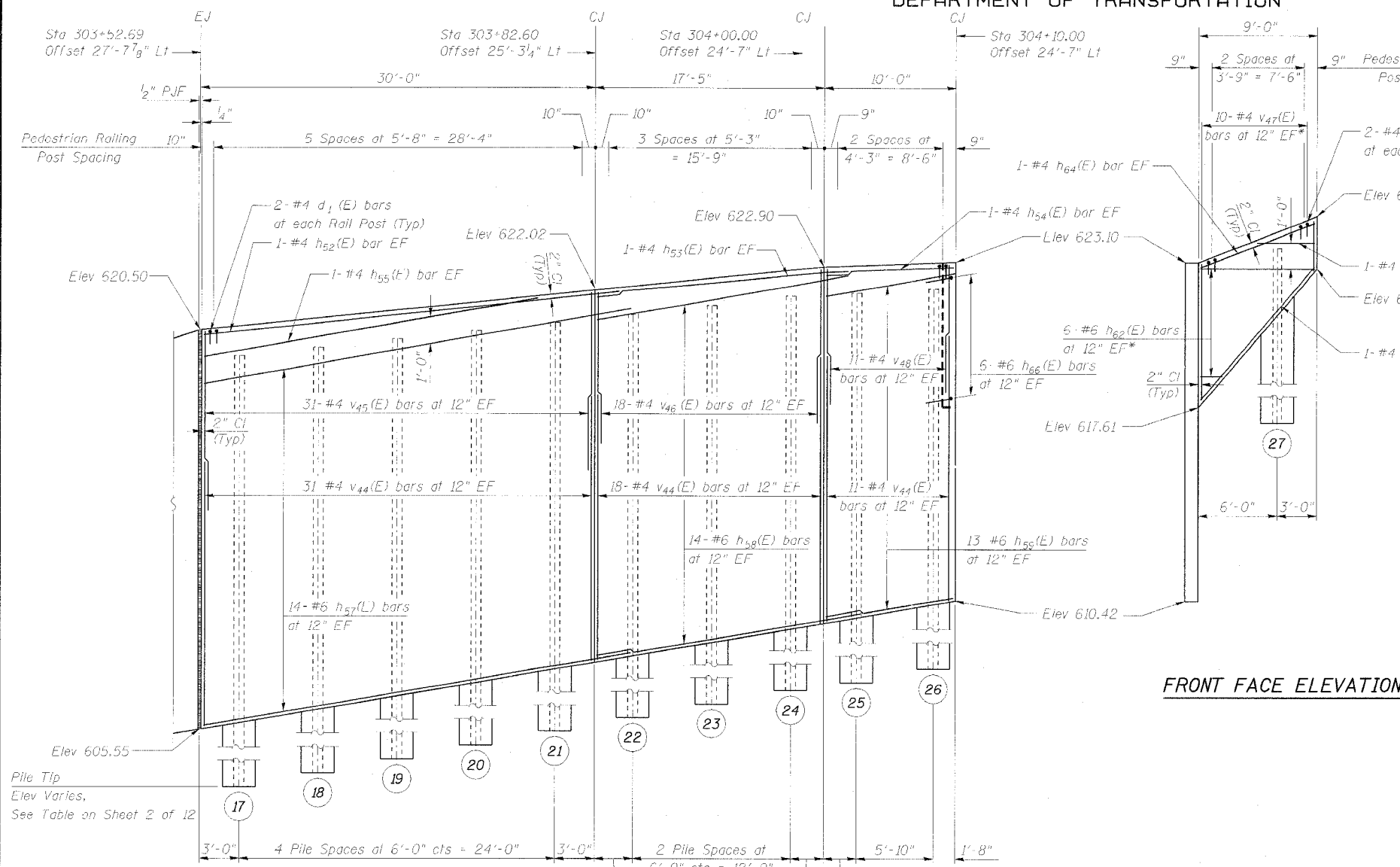
DETAIL A

Provide and attach 1.6 x 6 x 1/2" shape to W24 x 103 pile in order to support timber lagging. Cost included with Furnishing Soldier Piles W24 x 103.

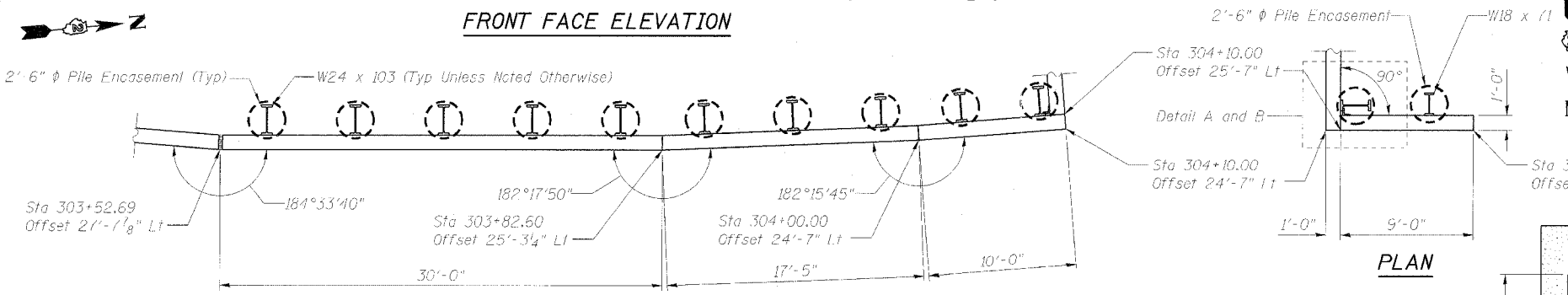


FIELD CUTTING DIAGRAM

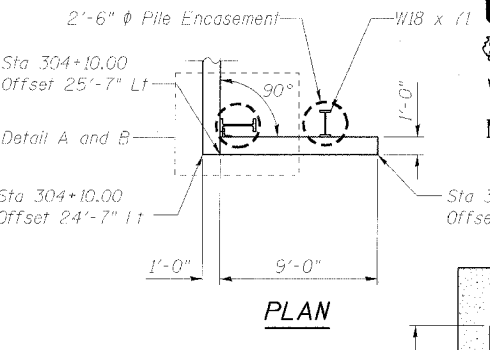
Order bars full length. Cut to fit as shown and place at one end of the dimension line shown on the plan. Use remainder of bars at opposite end of the dimension line on the opposite face of the Retaining Wall.



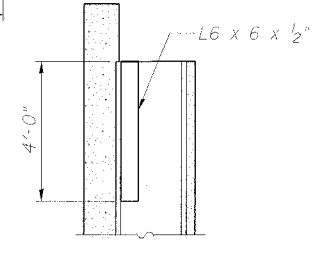
FRONT FACE ELEVATION



PLAN



DETAIL B



SECTION C-C

DESIGNED	NDR
CHECKED	DSE
DRAWN	RTT
CHECKED	DSE
DATE	JAN 31, 2006

Illinois Firm Registration No. 184-00513
Stanley Consultants INC.
8501 West Higgins Road, Suite 730, Chicago, Illinois 60631-2801
www.stanleygroup.com

WALL PLAN AND ELEVATION
RETAINING WALL E ALONG
30TH STREET
FA 595 (IL ROUTE 5) SECTION I-1
ROCK ISLAND COUNTY
STA 302+50.00 TO STA 304+10.00
STRUCTURE NO. 081-W007