

STATE OF ILLINOIS  
DEPARTMENT OF TRANSPORTATION

ROUTE NO.	SECTION	QUANTITY	TOTAL SHEETS	SHEET NO.
595	1-1	ROCK ISLAND	239	154
FED. ROAD EST. NO. 2		TOTAL SHEETS	13 SHEETS	
Contract No. 84996				

**NOTES**

Railing shall be according to Section 509 of the Standard Specifications, except as noted, and will be paid for at the Contract Unit Price per meter for Pedestrian Railing.

Hollow structural steel tubing shall conform to the requirements of ASTM designation A 500, Grade B, structural steel tubing.

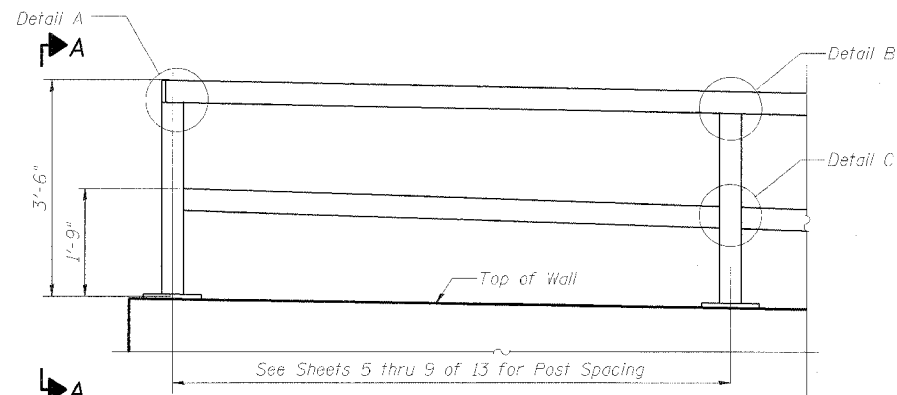
All other steel shapes and plates shall conform to the requirements of AASHTO M 270M Grade 250.

If the option of drilling and epoxy grouting the anchor rods is chosen, the Contractor shall use the capsule or the adhesive cartridge type anchor rods that have been previously tested and given a prior approval by the Department. The Contractor shall install these anchor rods in pre-drilled holes according to the manufacturer's recommendations and procedures. The capsule or the adhesive cartridge shall be sealed with premeasured amounts of the adhesive chemical.

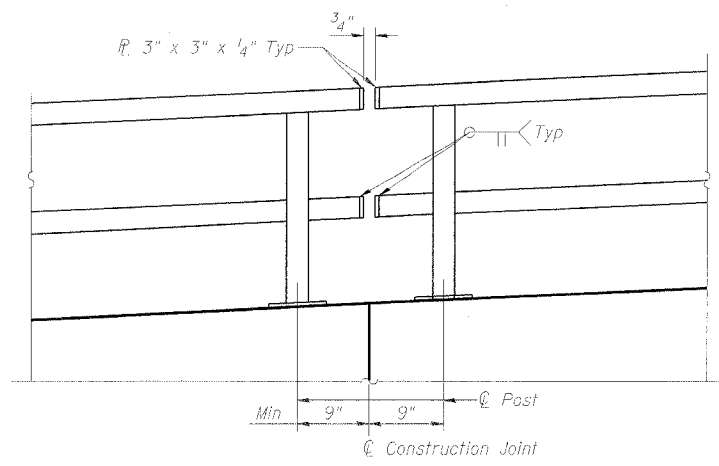
Space reinforcement to miss anchor rods.

All posts, railing, splices, anchor devices, and bent plates shall be galvanized after shop fabrication according to AASHTO M 111 and ASTM A 385. All bolts, nuts, washers and anchor rods shall be galvanized according to AASHTO M 232 except stainless steel bolts as noted.

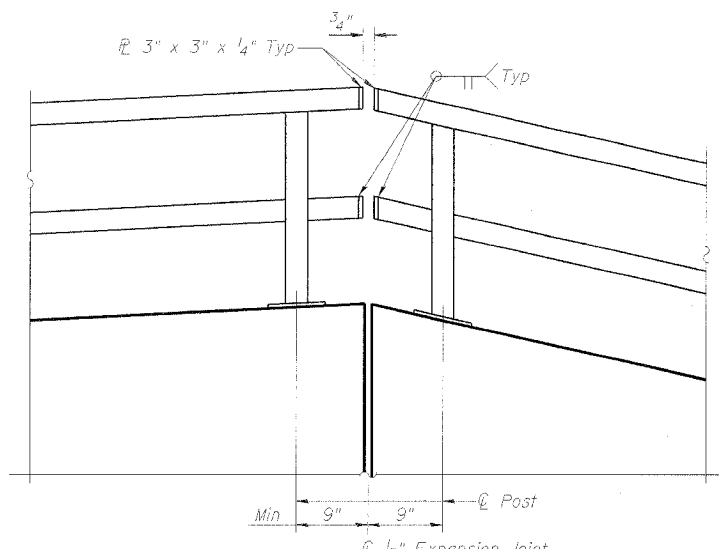
Vent holes for galvanizing shall be placed in the posts and rails at locations that will not allow the accumulation of moisture in the members.



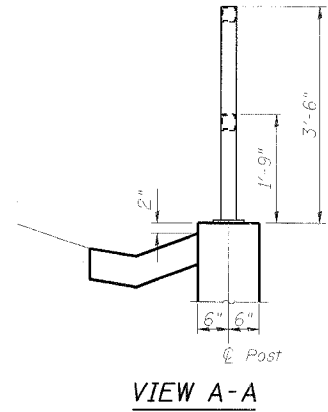
**ELEVATION AT WEST END**  
(Looking North)



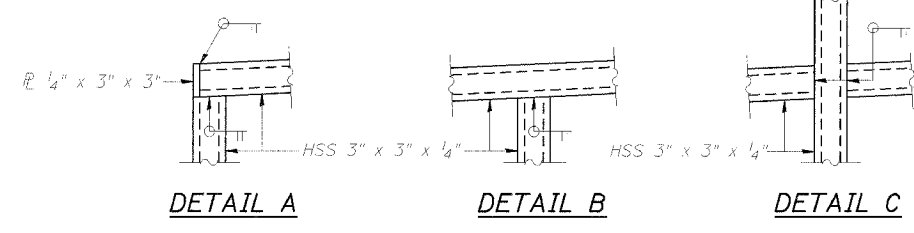
**ELEVATION AT CONSTRUCTION JOINT**



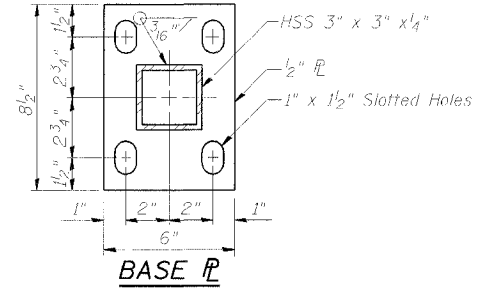
**ELEVATION AT EXPANSION JOINT**



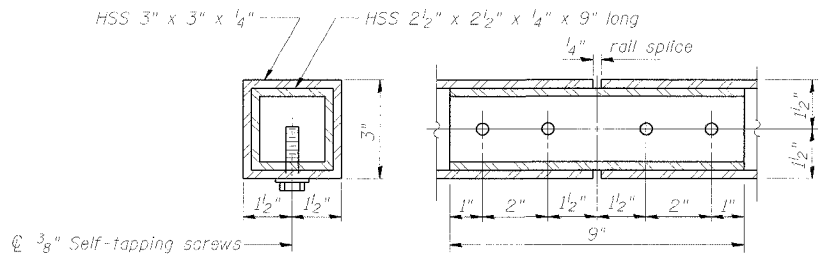
**VIEW A-A**



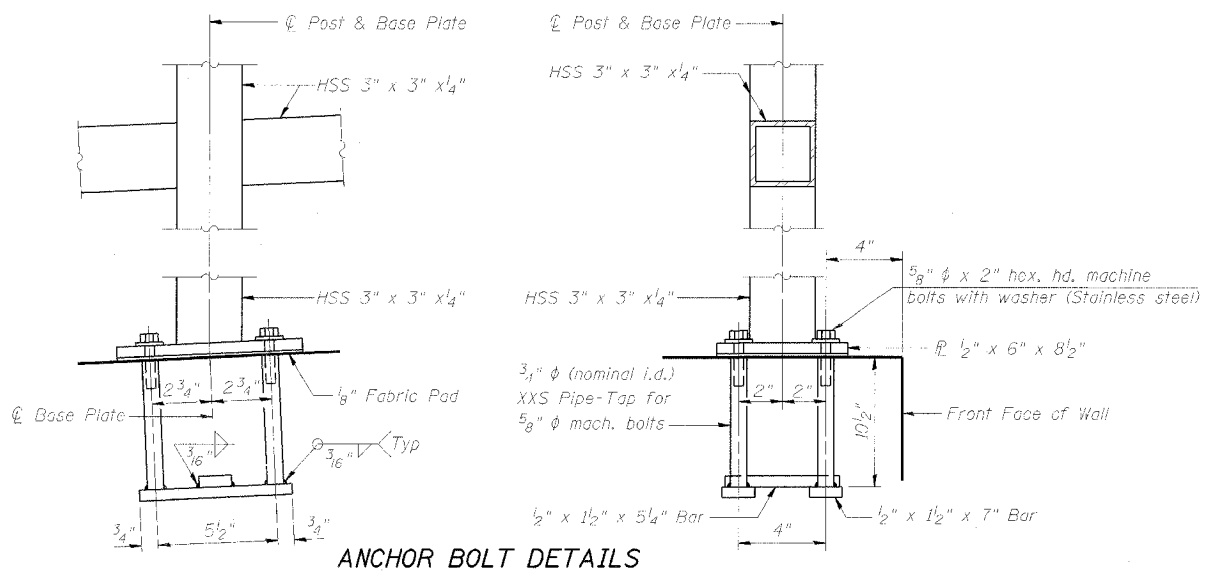
**DETAIL A      DETAIL B      DETAIL C**



**BASE PLATE**



**RAIL SPLICE**



**ANCHOR BOLT DETAILS**

(In lieu of the cast-in-place anchor device shown, the Contractor has the option of drilling and epoxy grouting 3/8" anchor rods. Embedment shall be according to the manufacturer's specifications.)

**BILL OF MATERIAL**

Item	Unit	Quantity
Pedestrian Railing	Foot	417.2

Illinois Firm Registration No. 84-00513

850 West Higgins Road, Suite 130, Chicago, Illinois 60631-2809  
www.stanleygroup.com

**PEDESTRIAN RAILING  
RETAINING WALL F ALONG  
INDIAN HILL ROAD  
FA 595 (IL ROUTE 5) SECTION 1-1  
ROCK ISLAND COUNTY  
STA 80+86.37 TO STA 13+73.25**

DESIGNED	-	NLV
CHECKED	-	DSE
DRAWN	-	RTT
CHECKED	-	DSE
DATE	-	JAN 31, 2006