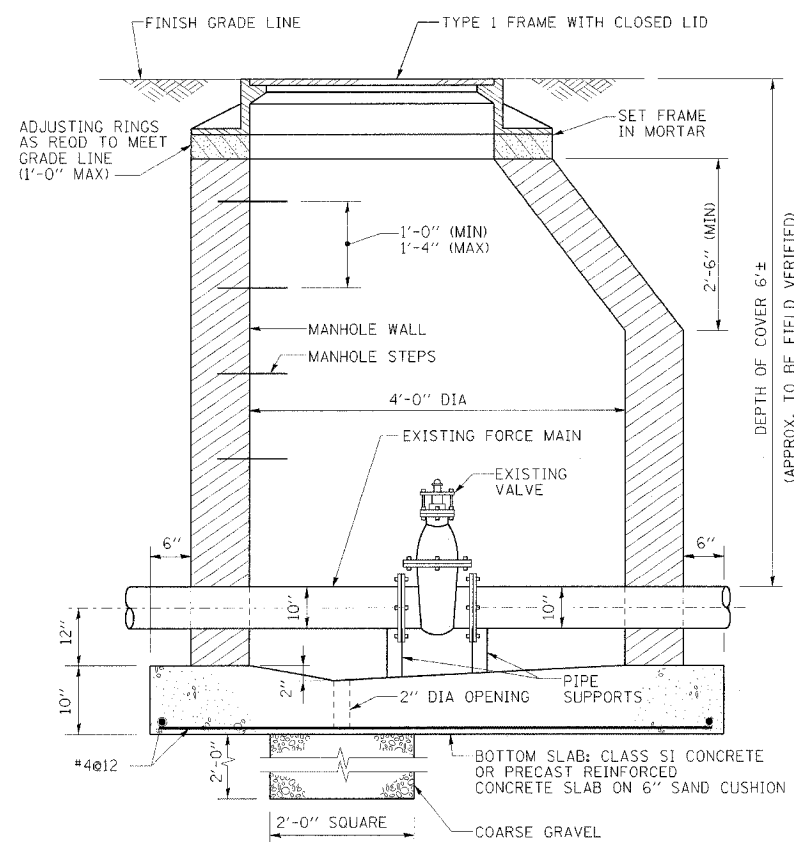


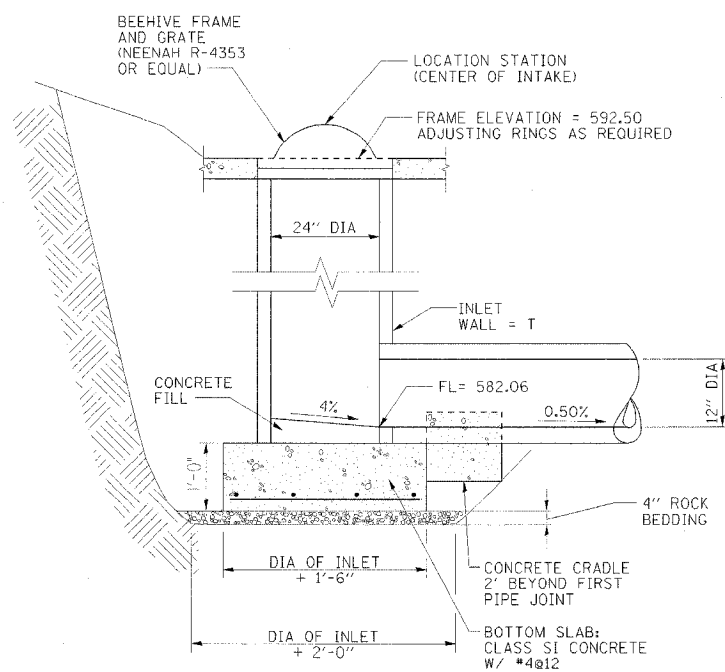
F.A. RTE.	SECTION	COUNTY	TOTAL SHEETS	SHEET NO.
595	1 - 1	ROCK ISLAND	239	161
STA		TO STA		
FED. RD DIST. NO.	ILLINOIS FED. AID PROJECT			
CONTRACT # 84986				

DATE	BY	REVISION

DATE	BY	REVISION

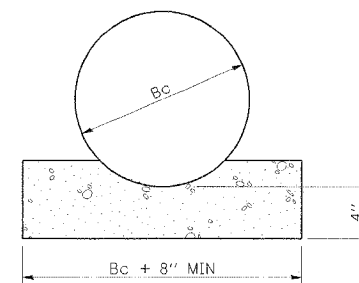


VALVE VAULT 4' DIAMETER
SCALE: NONE

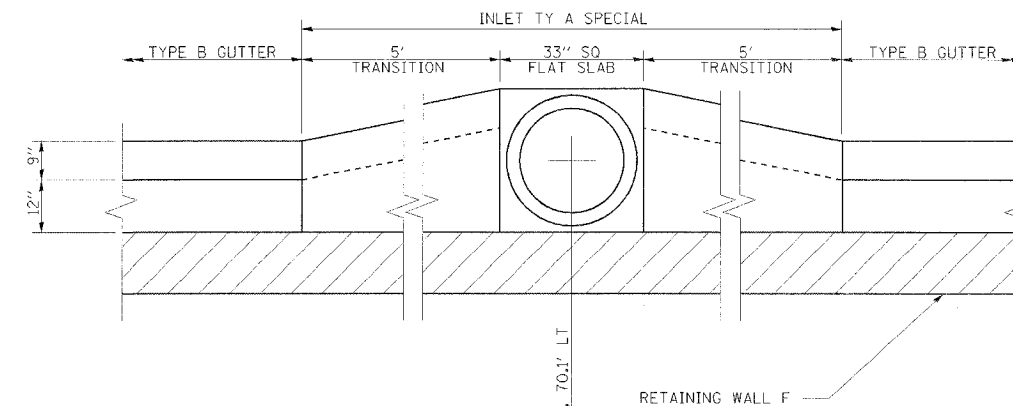


INLET, TYPE A, SPECIAL
SCALE: NONE

ALTERNATE MATERIALS FOR WALLS	T (MIN)
PRECAST REINFORCED CONCRETE SECTION	3"
CAST-IN-PLACE CONCRETE	6"



CONCRETE CRADLE
SCALE: NONE



CURB TRANSITION
SCALE: NONE

NOTE: THE COST FOR THE 5' TRANSITION EACH SIDE OF THE INLET AND THE FLAT SLAB IS INCLUDED IN THE CONTRACT UNIT PRICE EACH FOR INLET, TYPE A, SPECIAL.

REVISIONS	
NAME	DATE

ILLINOIS DEPARTMENT OF TRANSPORTATION

SPECIAL UTILITY DETAILS

SCALE: VERT.
DATE: HORIZ.

DRAWN BY
CHECKED BY