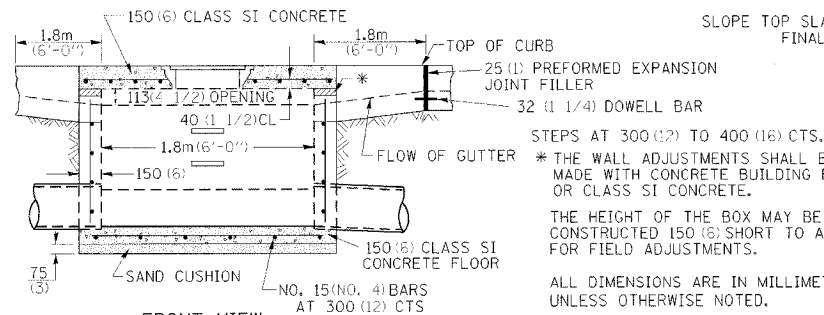


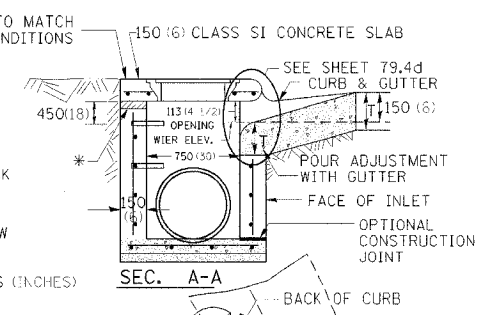
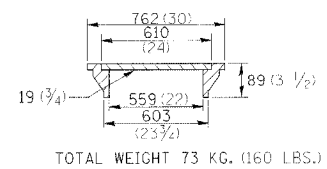
INLET SPECIAL NO. 5



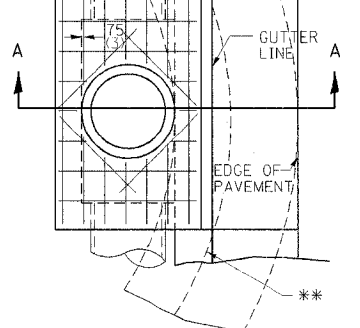
FRONT VIEW NOTES

SEE STANDARD 602701 FOR DETAILS OF STEPS. 25 (1) PREFORMED EXPANSION JOINTS AS SHOWN SHALL BE PROVIDED ON EACH SIDE OF INLET. CLASS SI CONCRETE OR PRECAST CONCRETE SHALL BE USED THROUGHOUT. THE SIDE WALLS MAY BE BUILT AS PRECAST SEGMENTAL SECTIONS. REINFORCEMENT FOR INLET SPECIAL NO. 5 SHALL BE ACCORDING TO DISTRICT STANDARD 79.4e

STEPS SHALL BE OMITTED WHEN DEPTH OF INLET IS LESS THAN 1.5 m (5 ft.). THE INLET SHALL BE CAST IN PLACE OR PRECAST. EXCEPT AS NOTED HEREON INLET SPECIAL NO. 5 SHALL BE CONSTRUCTED IN ACCORDANCE WITH SECTION 602 OF THE STANDARD SPECIFICATIONS. THE CONTRACT UNIT PRICE EACH FOR INLET SPECIAL NO. 5 SHALL INCLUDE THE COST OF FURNISHING AND INSTALLING THE FRAME, LID, REINFORCEMENT BARS, FLOOR AND TOP SLABS, CAST IRON STEPS (IF USED). THE CURB AND GUTTER WILL BE PAID FOR SEPARATELY AND WILL BE MEASURED THROUGH THE INLET. THE CURB AND GUTTER ADJACENT TO AND 1.8m (6 FT) ON EITHER SIDE OF THE INLET SHALL BE CONSTRUCTED AS SHOWN WITH NO ADDITIONAL COMPENSATION FOR THE TRANSITION.



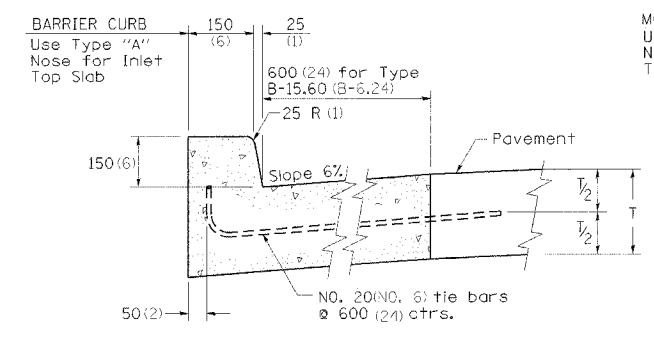
SEC. A-A



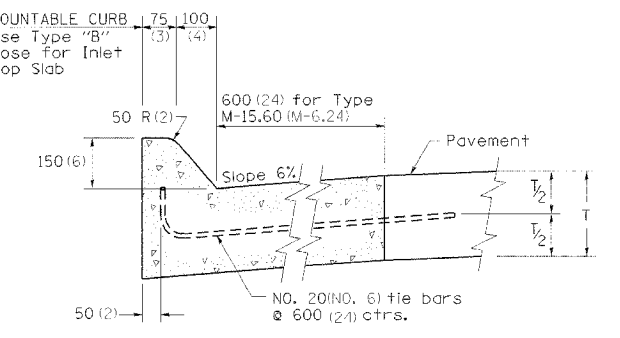
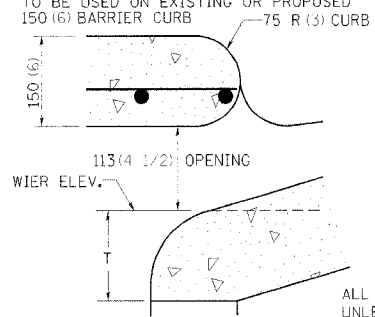
INLET SPECIAL NO. 5 79.4b

REVISED 4-4-05

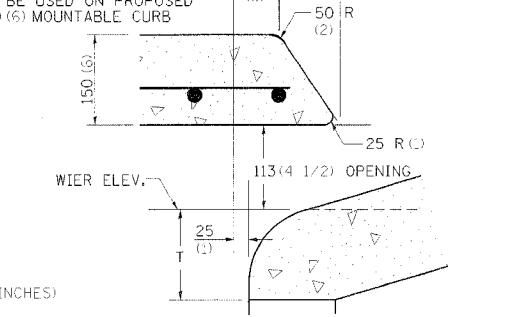
NOSE TYPE FOR INLET TOP SLAB



TYPE "A"



TYPE "B"

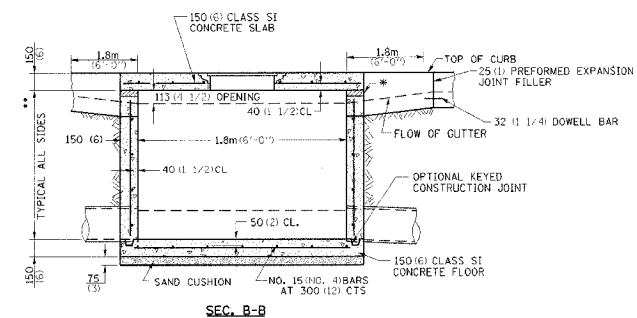


NOSE TYPE FOR INLET TOP SLAB 79.4d

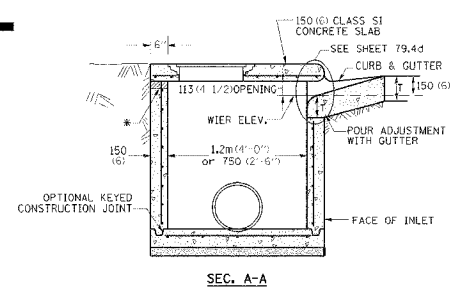
REVISED 2-14-95

F.A. RTE.	SECTION	COUNTY	TOTAL SHEETS	SHEET NO.
595	1 - 1	ROCK ISLAND	239	175
STA	TO STA			
FED. RD DIST. NO.	ILLINOIS FED. AID PROJECT			
CONTRACT # 84986				

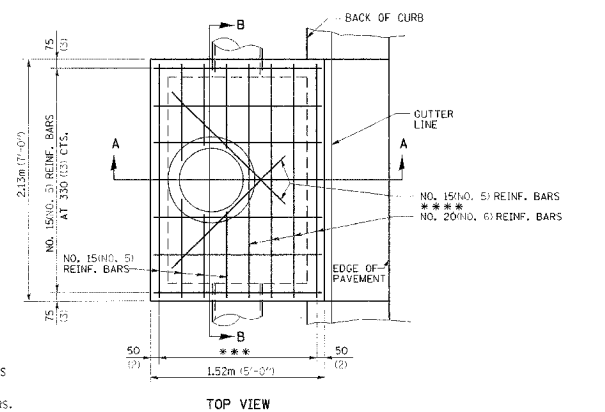
INLET SPECIAL NO. 3, 4, 5, 6 REINFORCEMENT DETAIL



SEC. B-B



SEC. A-A



TOP VIEW

THE WALL ADJUSTMENTS SHALL BE MADE WITH CONCRETE BUILDING BRICK OR CLASS SI CONCRETE. THE HEIGHT OF THE BOX MAY BE CONSTRUCTED 150 (6) SHORT TO ALLOW FOR FIELD ADJUSTMENTS.

* 1.2m (4'-0") TO 2.4m (8'-0") - NO. 15 (NO. 5) REINF. BARS AT 300 (12) CTS. E.W.
 2.4m (8'-0") TO 4.0m (13'-0") - NO. 15 (NO. 5) REINF. BARS AT 250 (10) CTS. E.W.
 4.0m (13'-0") TO 4.6m (15'-0") - NO. 15 (NO. 5) REINF. BARS AT 200 (8) CTS. E.W.

*** 7 SPA. AT 200 mm (8") INLET SPECIAL * 3, 4
 5 SPA. AT 200 mm (8") INLET SPECIAL * 5, 6

**** 2 REBARS FOR INLET SPECIAL 3 & 4
 2 REBARS FOR INLET SPECIAL 5 & 6

NOTES
 ALL DIMENSIONS ARE IN MILLIMETERS (INCHES) UNLESS OTHERWISE NOTED.
 TOP SLAB REINFORCEMENT TO BE EPOXY COATED BARS.

INLET SPECIAL NO. 3, 4, 5, 6 REINFORCEMENT DETAIL 79.4e