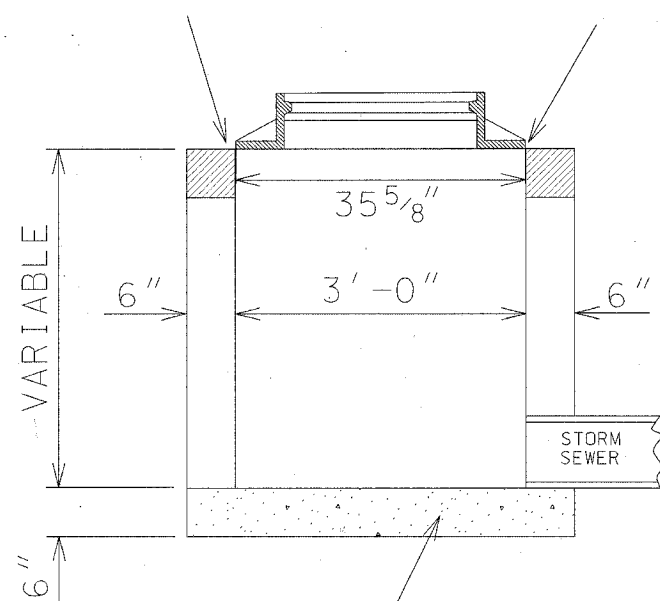


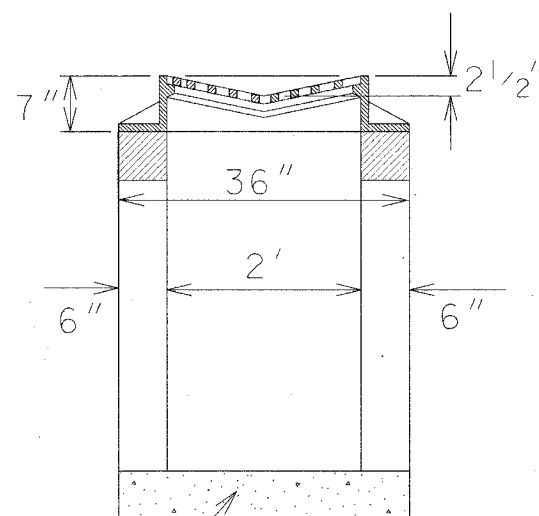
ROUTE NO.	SECTION	COUNTY	SHEET NO.	SHEET TOTAL
224	04-00137-01-FP	HENRY	25	25
FED. ROAD DIST. NO. 7		ILLINOIS		FED. AID PROJECT 89-224(1)(2)

INLET SPECIAL WITH FRAME AND GRATE

FILL VOIDS WITH PAVING BRICK
PRIOR TO CONSTRUCTING GUTTER

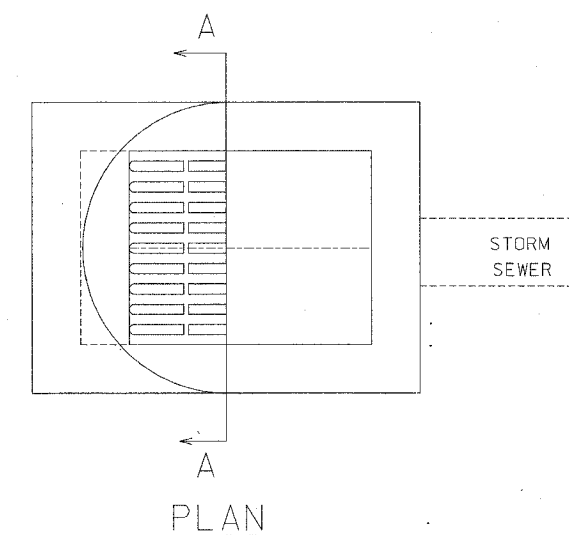


LONGITUDINAL SECTION



SECTION A-A

6" CLASS SI CONCRETE OR
4" PRECAST REINF. CONC.
SLAB ON 3" SAND CUSHION



PLAN

NOTES:

INLET SPECIAL WITH FRAME AND GRATE SHALL BE CONSTRUCTED IN ACCORDANCE WITH SECTION 602 OF THE STANDARD SPECIFICATIONS.
THE CONTRACT UNIT PRICE EACH FOR INLET SPECIAL WITH FRAME AND GRATE SHALL INCLUDE THE COST OF FURNISHING AND INSTALLING THE INLET WITH SAND CUSHION IF REQUIRED.
CLASS SI CONCRETE OR PRECAST CONCRETE SHALL BE USED THROUGHOUT. THE SIDEWALLS MAY BE BUILT AS PRECAST SEGMENTAL SECTIONS.
THE HEIGHT OF THE BOX MAY BE CONSTRUCTED 6" SHORT TO ALLOW FOR FIELD ADJUSTMENTS.
THE WALL ADJUSTMENTS SHALL BE MADE WITH CONCRETE BUILDING BRICK OR CLASS SI CONCRETE.
FRAME AND GRATE TO BE HEAVY DUTY
(NEENAH R-3513 W/TYPE C GRATE OR APPROVED EQUAL)

WHA 2