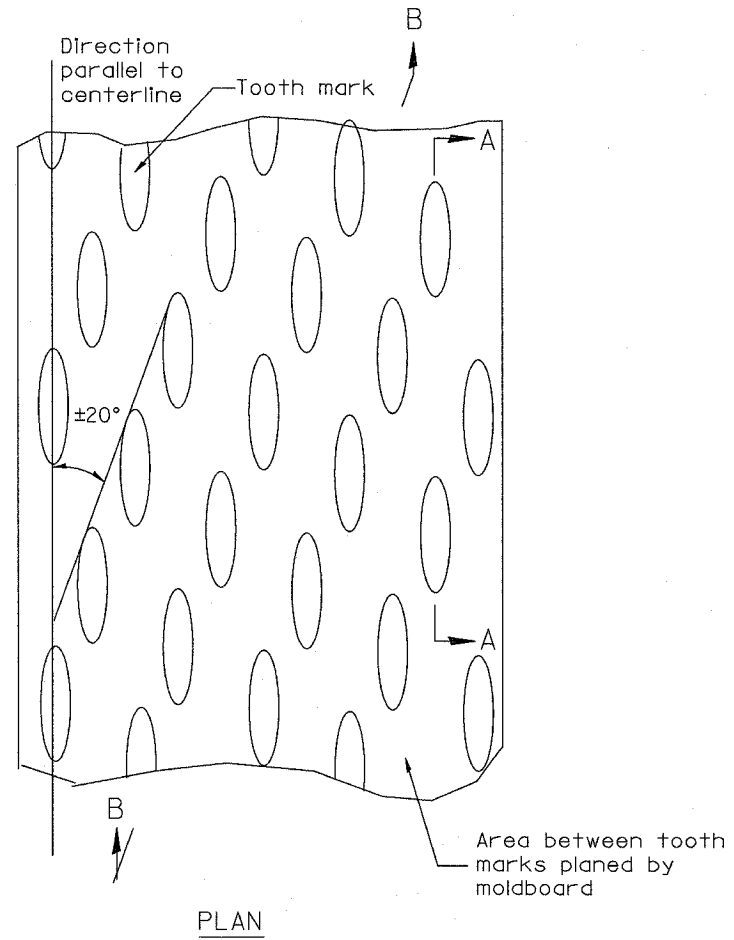


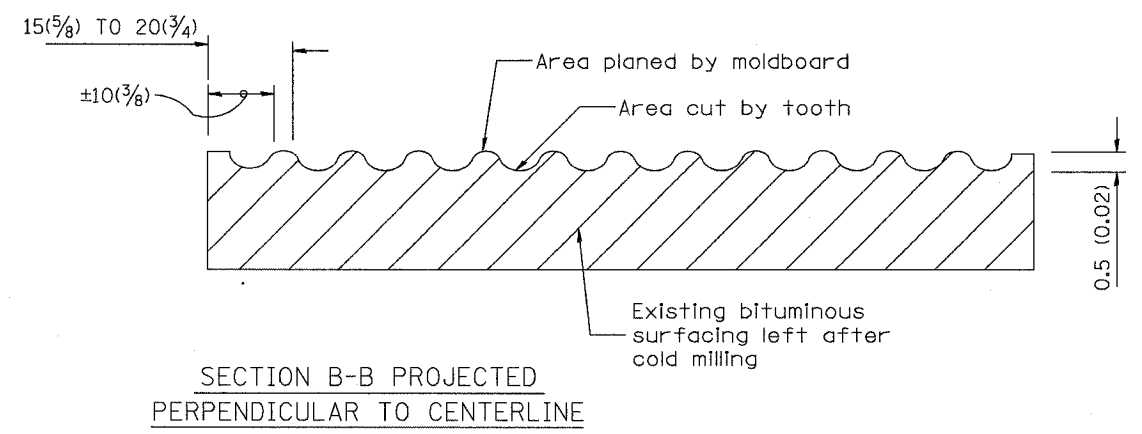
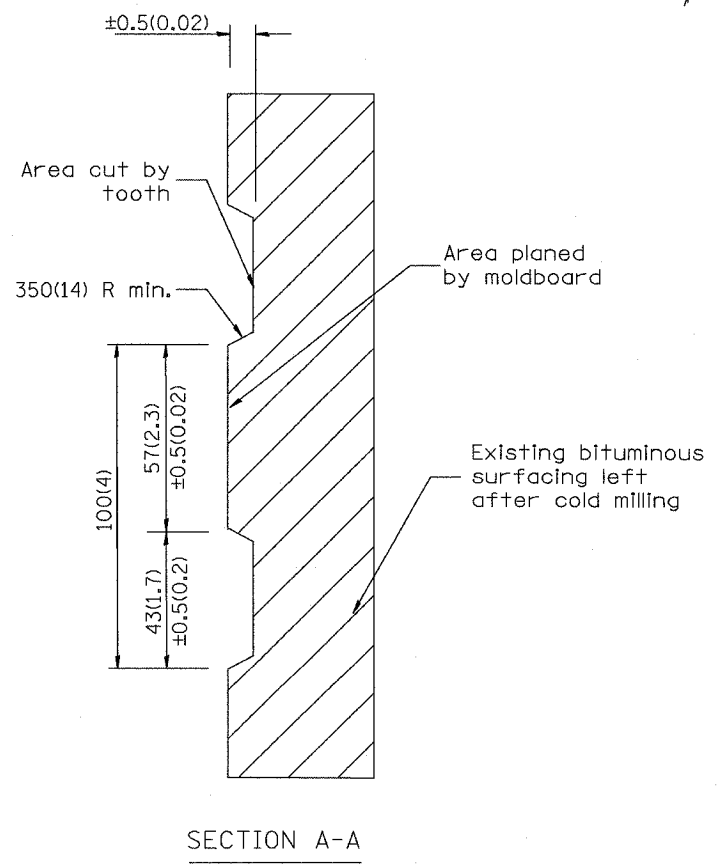
F.A.U. RTE.	SECTION	COUNTY	TOTAL SHEETS	SHEET NO.
6734	05-00061-04-FP	TAZEWELL	20	18
STA.	TO STA.			
FED. ROAD DIST. NO.	ILLINOIS	FED. AID PROJECT		

89393



General notes:

1. Coldmilling shall consist of two processes: Cutting with carbide teeth mounted on a rotating drum, and planing with a moldboard mounted immediately behind the cutting drum.
2. Other similar patterns will be acceptable if they consist of a smooth, flat, planed surface interspersed with a pattern of discontinuous longitudinal striations.



DESIGNER NOTE
1. INCLUDE DISTRICT SPECIAL PROVISION, IF APPLICABLE.

DATE

All dimensions are in millimeters (inches) unless otherwise noted.

ILLINOIS DEPARTMENT OF TRANSPORTATION
DISTRICT CADD STANDARD

DATE	REVISIONS	BY
1-1-97	RENUM. C-104.01, NEW REVISION BOX	T. P.
4-20-98	REMOVED MILLING DETAIL FROM STD.	J. A.
9-08-98	CORRECT NOTE LEADER PLACEMENT	R. W.

BITUMINOUS SURFACE REMOVAL (COLD MILLING)
CADD STD NO. 440001-D4
SCALE: NOT DRAWN TO SCALE
DATE **DATE**
DRAWN BY CADD
CHECKED BY

440001-D4

DGN-ONLY

STD. 04. 01. 01P 2/27/2006 9:24:53 AM