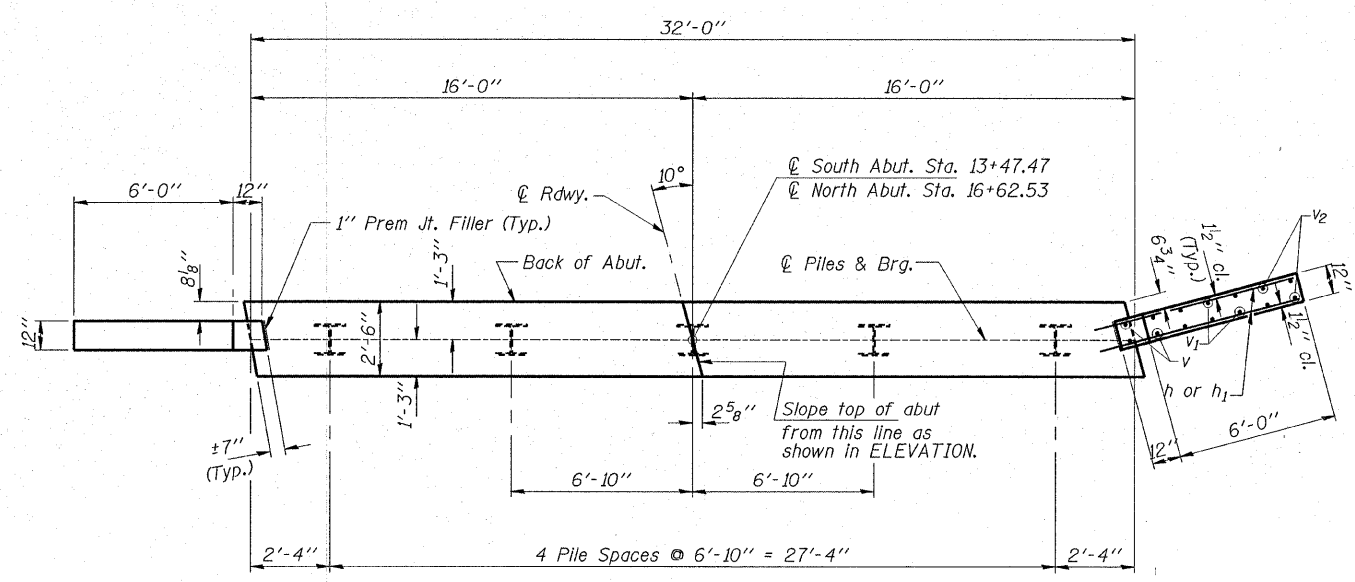
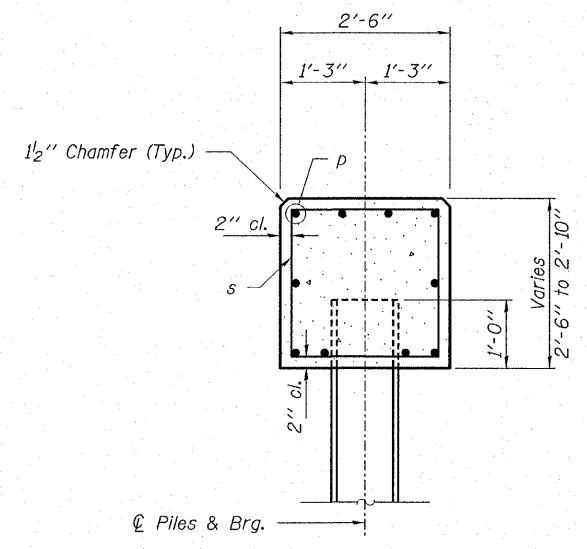


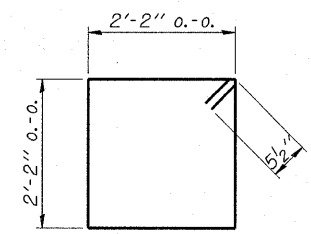
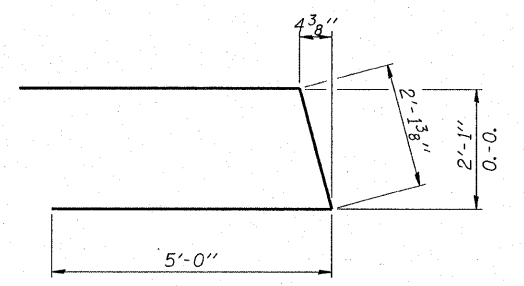
CONTRACT NO. 91314



PLAN



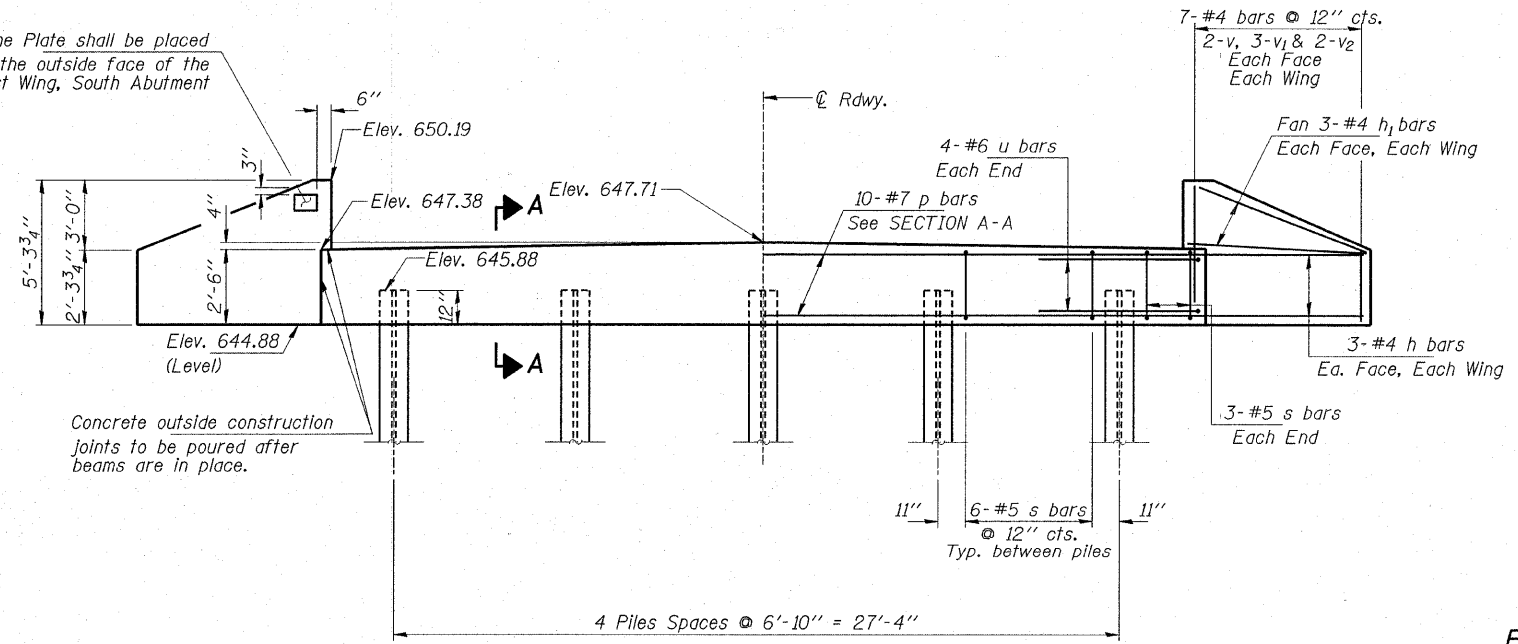
SECTION A-A



BAR s

Note: Extend h bars into pile cap.

Name Plate shall be placed on the outside face of the East Wing, South Abutment



ELEVATION

PILE DATA

Type _____ Steel Pile HP 12x53
 No. Req'd. _____ 10
 Capacity _____ 46 Tons/Pile (Drive to 70 Tons)
 Est. Length _____ 40 Feet/Pile

* Includes one Steel HP 12x53 Test Pile to be driven in a permanent location at the South Abutment.

BILL OF MATERIAL - 2 ABUTS.

BAR	NO.	SIZE	LENGTH	SHAPE
h	24	#5	7'-9"	—
h ₁	24	#5	6'-9"	—
p	20	#7	31'-9"	—
s	60	#5	9'-7"	□
u	16	#6	12'-1"	—
v	16	#4	4'-9"	—
v ₁	24	#4	3'-3"	—
v ₂	16	#4	2'-3"	—
Concrete Structures			Cu. Yd.	19.8
Reinforcement Bars			Pound	2,680
Steel Pile HP 12x53			Foot	360
Test Pile Steel HP 12x53			Each	1

HLR

Rice, Berry and Associates
 A Division of Hampton, Lenzini and Renwick, Inc.
 Civil & Structural Engineers
 3085 Stevenson Drive
 Suite 201
 Springfield, Illinois 62703
 217-546-3400

Account Number 12-30-0008-1
 Date: 01-05-06
 P.O. Box 1036
 DuQuoin, Illinois 62832
 618-790-4637

DESIGNED: S.W.M. CHECKED: T.P.L. DRAWN: D.B.

ABUTMENTS
 SECTION 98-02120-00-BR
 BOURBON ROAD DISTRICT
 DOUGLAS COUNTY
 STATION 15+05