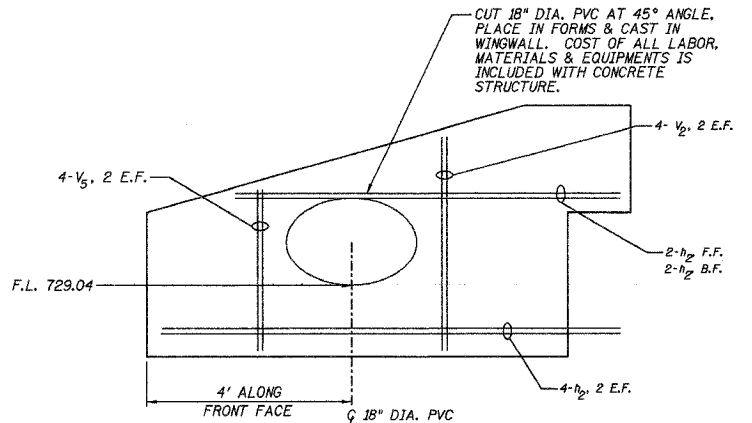
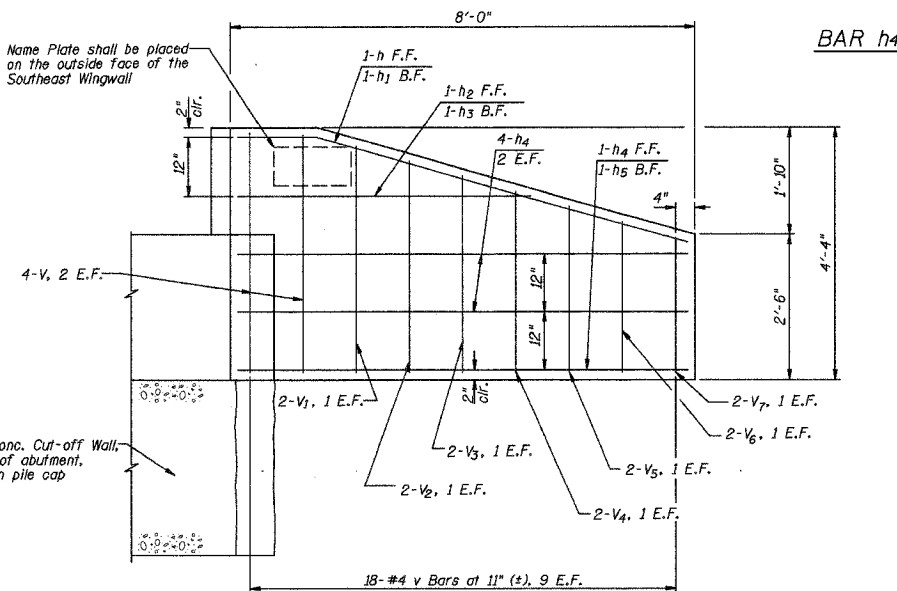
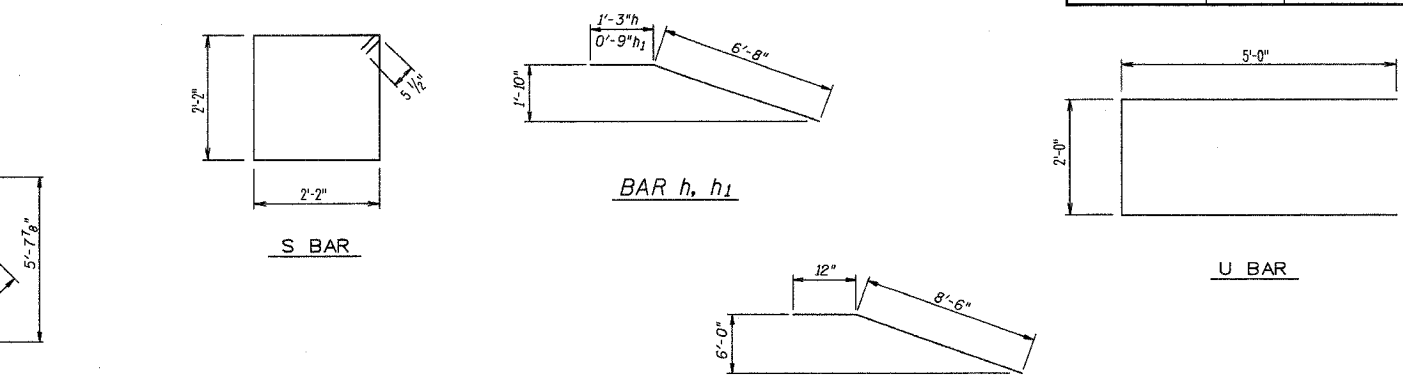
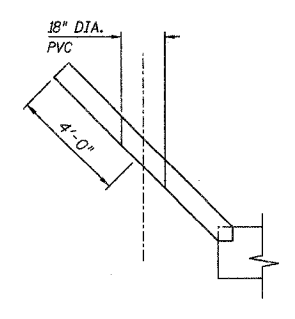
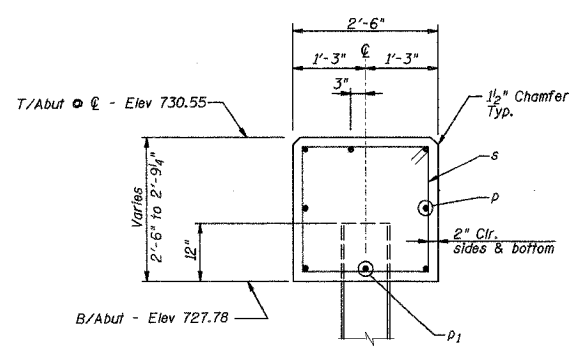
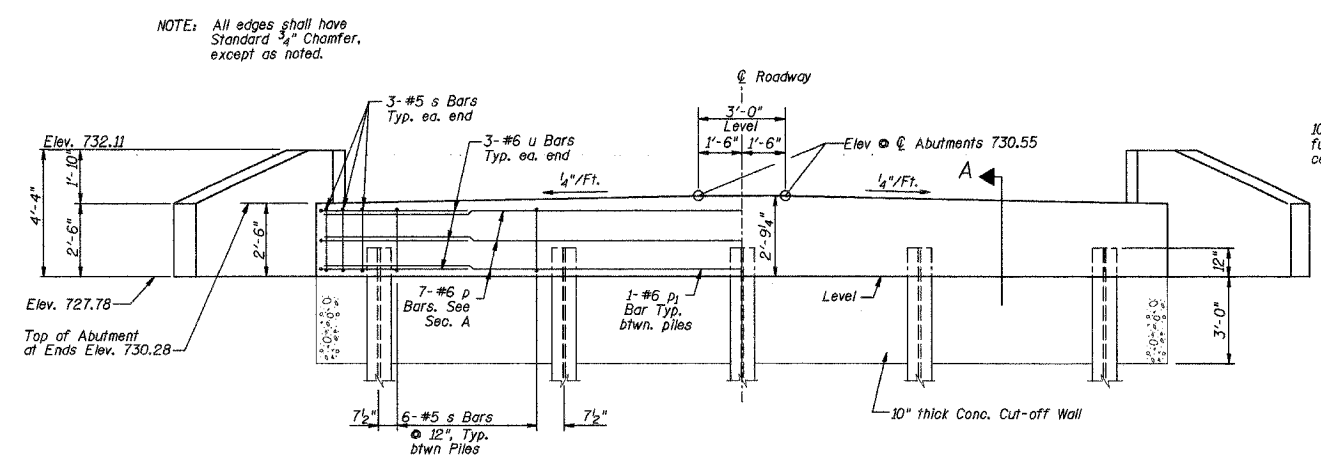
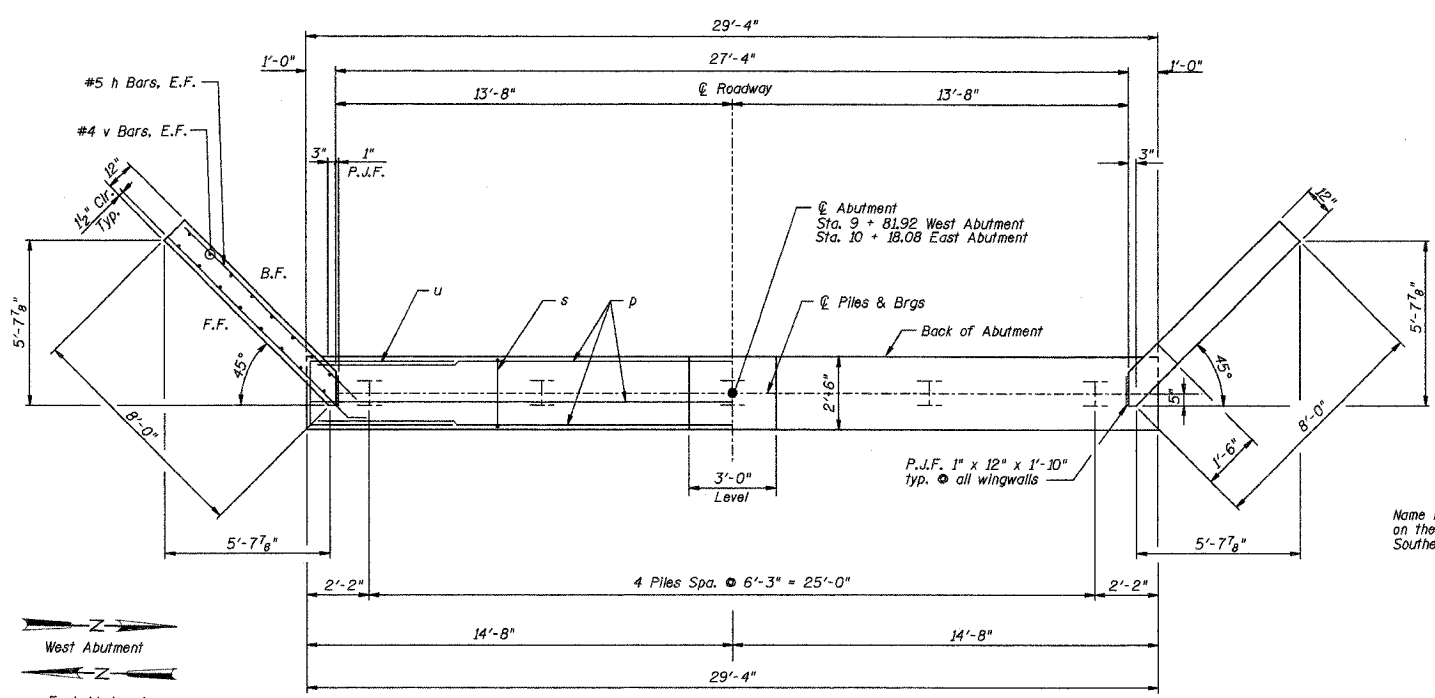


SECTION	COUNTY	TOTAL SHEETS	SHEET NO.
03-00894-00-BR	CHAMPAIGN	12	8
STA.	TO STA.		
F.H.W.A. REG.	ILLINOIS	PROJECT	



PILE DATA

TYPE:	STEEL HP 10 X 42
NO. REQD.:	4 E. ABUTMENT 4 W. ABUTMENT
CAPACITY:	25 TONS/PILE
EST. LENGTH:	35 FEET/PILE E. ABUTMENT 35 FEET/PILE W. ABUTMENT
TEST PILES:	1 E. ABUTMENT 1 W. ABUTMENT

BILL OF MATERIAL - 2 ABUTS.

Bar	No.	Size	Length	Shape
h	4	#5	7'-11"	—
h ₁	4	#5	7'-5"	—
h ₂	6	#5	5'-0"	—
h ₃	6	#5	4'-5"	—
h ₄	24	#5	9'-6"	—
h ₅	4	#5	8'-0"	—
p	14	#6	29'-0"	—
d ₁	10	#6	4'-6"	—
s	62	#5	9'-7"	□
u	12	#6	12'-0"	□
v	16	#4	4'-0"	—
v ₁	8	#4	3'-9"	—
v ₂	12	#4	3'-6"	—
v ₃	8	#4	3'-3"	—
v ₄	8	#4	3'-0"	—
v ₅	12	#4	2'-9"	—
v ₆	8	#4	2'-6"	—
v ₇	8	#4	2'-2"	—
Concrete Structures		Cu. Yds.	18.3	
Reinforcement Bars		Lbs.	2080	
Test Pile, Steel HP10x42		Each	2	
Furnish Steel Piles, HP10x42		Foot	280	
Driving Steel Piles		Foot	280	
Metal Shoes		Each	8	
Name Plate		Each	1	
Concrete Cut-off Wall		Cu. Yds.	5.5	
Structure Excavation		Cu. Yds.	102	

ABUTMENTS
SECTION 03-00894-00-BR
CHAMPAIGN COUNTY
© STATION 10+00