



CITY OF URBANA
PUBLIC WORKS
ENGINEERING DIVISION

DRAWN BY: PLS
CHECKED BY: GLJ
DESIGNED BY: CES
CITY SECTION
95-00305-01-PV

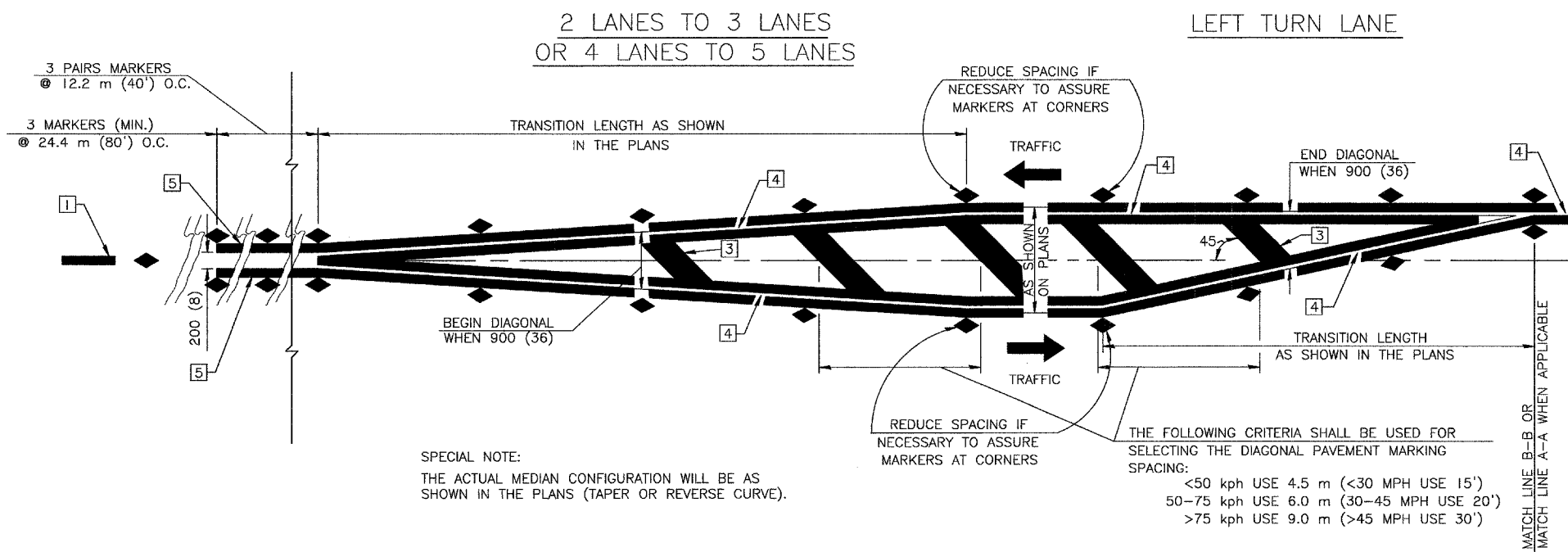
Philo Road Improvements
Pavement Marking Details

SHEET NO.
40
OF
62

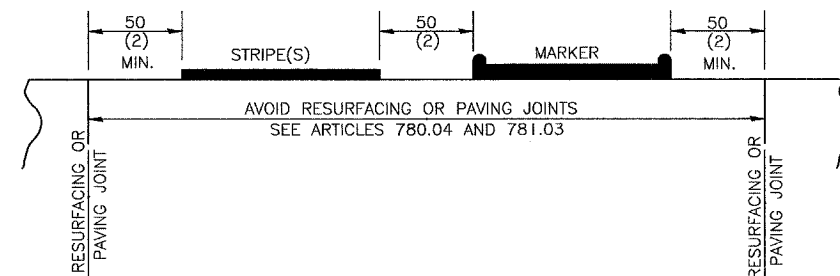
TYPICAL APPLICATIONS OF URBAN PAVEMENT MARKINGS AND MARKERS

TYPICAL PAVEMENT MARKING LEGEND

- 1 100 (4) SKIP-DASH (YELLOW)
- 2 100 (4) SOLID (YELLOW)
- 3 300 (12) DIAGONAL (YELLOW)
- 4 100 (4) DOUBLE YELLOW (NARROW)
- 5 100 (4) DOUBLE YELLOW (WIDE)
- 6 RESERVED
- 7 100 (4) SKIP-DASH (WHITE)
- 8 100 (4) SOLID (WHITE)
- 9 300 (12) DIAGONAL (WHITE)
- 10 150 (6) CROSS WALK (WHITE)
- 11 600 (24) STOP BAR (WHITE)
- 12 200 (8) SOLID (WHITE)
- 13 100 (4) LANE LINE EXTENSIONS (WHITE)
- 14 RESERVED



TYPICAL MEDIAN TRANSITIONS



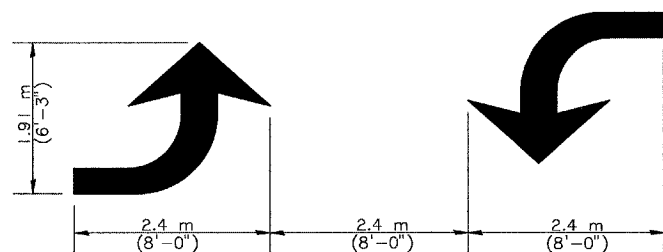
RELATIONSHIP OF STRIPES, MARKERS AND JOINTS

GENERAL NOTES

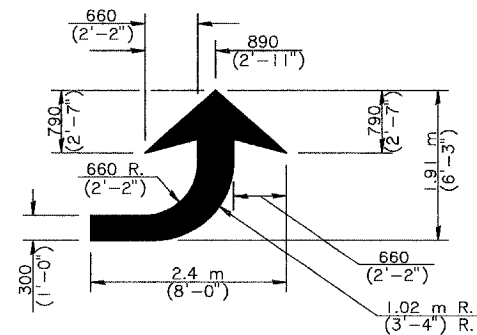
1. WHEN PAVEMENT MARKINGS ARE TO BE PLACED ADJACENT TO MEDIANS, SPECIAL DETAILS WILL BE INCLUDED ELSEWHERE IN THE PLANS.
2. SCALE: NONE
3. SOME OF THE INFORMATION INCLUDED WITH THIS DETAIL MAY NOT BE APPLICABLE TO THIS IMPROVEMENT.
4. PAVEMENT MARKINGS ARE TO BE EXTENDED THROUGH OMISSIONS WHEN APPLICABLE.
5. A STRIPING KEY IS AVAILABLE ELSEWHERE AND SHALL BE SHOWN WHERE THE QUANTITIES ARE LISTED.
6. FINAL PAVEMENT MARKINGS SHALL BE IN PLACE PRIOR TO PLACING ANY RAISED REFLECTIVE PAVEMENT MARKERS.

TYPICAL PAVEMENT MARKERS LEGEND

- ◆ TWO-WAY AMBER MARKER
- ▶ ONE-WAY AMBER MARKER
- ▷ ONE-WAY CRYSTAL MARKER



TYPICAL DOUBLE TURN ARROWS (WHITE)



LEFT ARROW

REVERSE FOR RIGHT ARROW
AREA= 1.47 m² (15.6 SQ. FT.)
(WHITE)

All dimensions are in millimeters (inches) unless otherwise shown.