

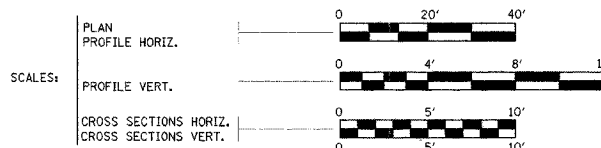
ROUTE NO.	SECTION	COUNTY	DATE SHEETS	SHEET
TR 373	*	VERMILION	19	1
FED. ROAD DIST. NO. 7		ILLINOIS	FED. AID PROJECT	

*02-04130-00-BR

STATE OF ILLINOIS DEPARTMENT OF TRANSPORTATION PLANS FOR PROPOSED BRIDGE REPLACEMENT

INDEX OF SHEETS

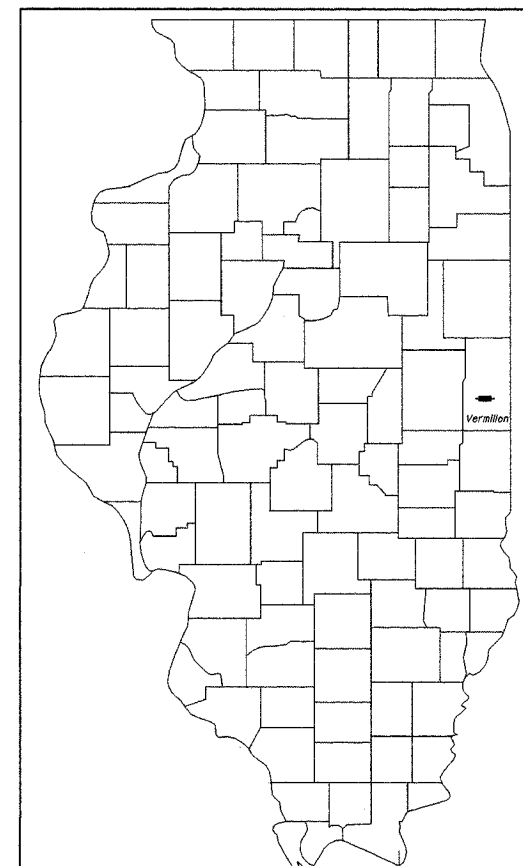
SHEET NO.	DESCRIPTION
1	COVER SHEET
2	SUMMARY OF QUANTITIES, GENERAL NOTES & TYPICAL CROSS SECTIONS
3	SCHEDULE OF QUANTITIES
4	PLAN & PROFILE
5	ROADWAY ALIGNMENT & TIE POINTS
6	EROSION CONTROL PLAN
7-17	BRIDGE PLANS
18-19	CROSS SECTIONS



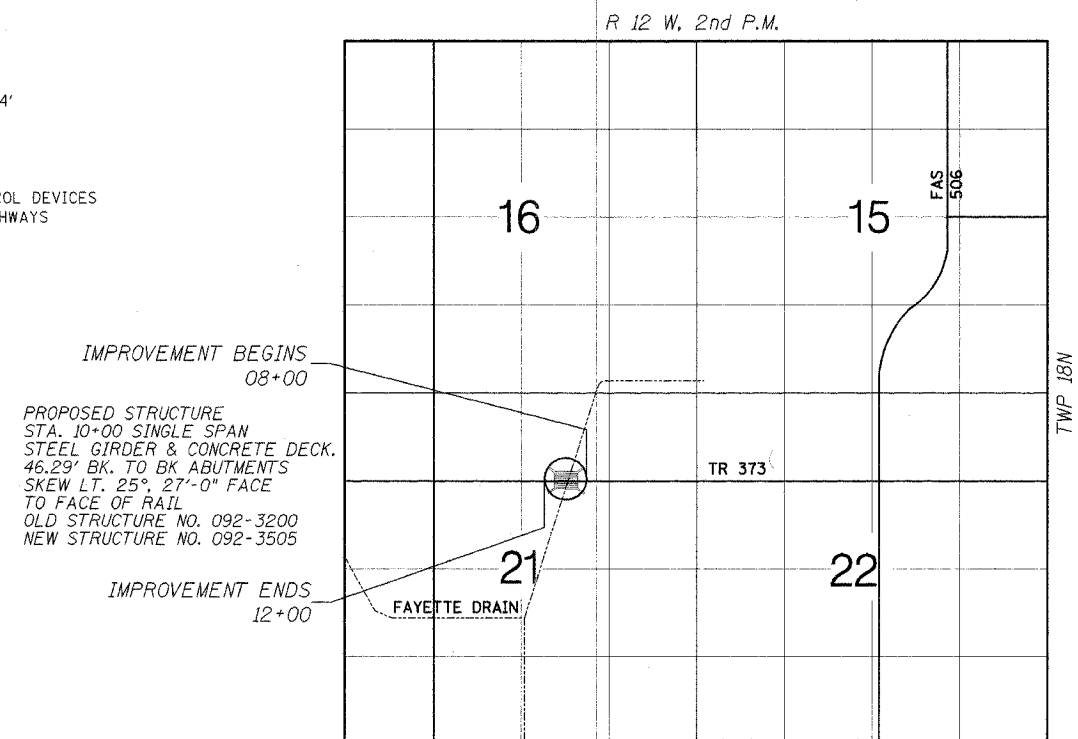
VERMILION COUNTY
SECTION 02-04130-00-BR
TR 373 SOUTH OF 1150 E
BRIDGE REPLACEMENT
AND REHABILITATION PROGRAM
PROJECT NO. BROS-183(90)
JOB NO. C-95-334-05

ILLINOIS DEPT. OF TRANSPORTATION STANDARD DRAWINGS

STANDARD NO.	DESCRIPTION
000001-04	STANDARD SYMBOLS, ABBREVIATIONS, AND PATTERNS
280001-02	TEMPORARY EROSION CONTROL SYSTEMS
515001-02	NAME PLATE FOR BRIDGES
701006-02	OFF ROAD OPERATIONS, 2L, 2W, 15' TO 24' FROM PAVEMENT EDGE
702001-06	TRAFFIC CONTROL DEVICES
BLR 21-6	TYPICAL APPLICATION OF TRAFFIC CONTROL DEVICES FOR CONSTRUCTION OF RURAL LOCAL HIGHWAYS



LOCATION OF SECTION INDICATED THUS:



LOCATION MAP

ADT = 200 (CURRENT), 250 (DESIGN)
FUNCTIONAL CLASS = MINOR COLLECTOR

NET LENGTH OF SECTION = 400.00 FEET = 0.075 MILES

APPROVED MARCH 2 20 06
Robert B Andrews P.E.
COUNTY ENGINEER

APPROVED MARCH 2 20 06
Donald Richardson
ROAD COMMISSIONER

PASSED 3/6 20 06
David H. ...
DISTRICT FOUR ENGINEER OF
LOCAL ROADS & STREETS

Releasing For
Limited Review MARCH 7 20 06
Joseph E. Crowe
REGIONAL ENGINEER
THREE
STATE OF ILLINOIS
DEPARTMENT OF TRANSPORTATION



Keith E. Brandau ea/01/06
KEITH E. BRANDAU
Illinois Licensed Professional Engineer Number 44096
License Expires 11/30/07

FRAUENHÖFFER
Frauenhoffer and Associates, P.C. Consulting Engineers
3002 Crossing Court Champaign, Il. 61822 217-351-6268