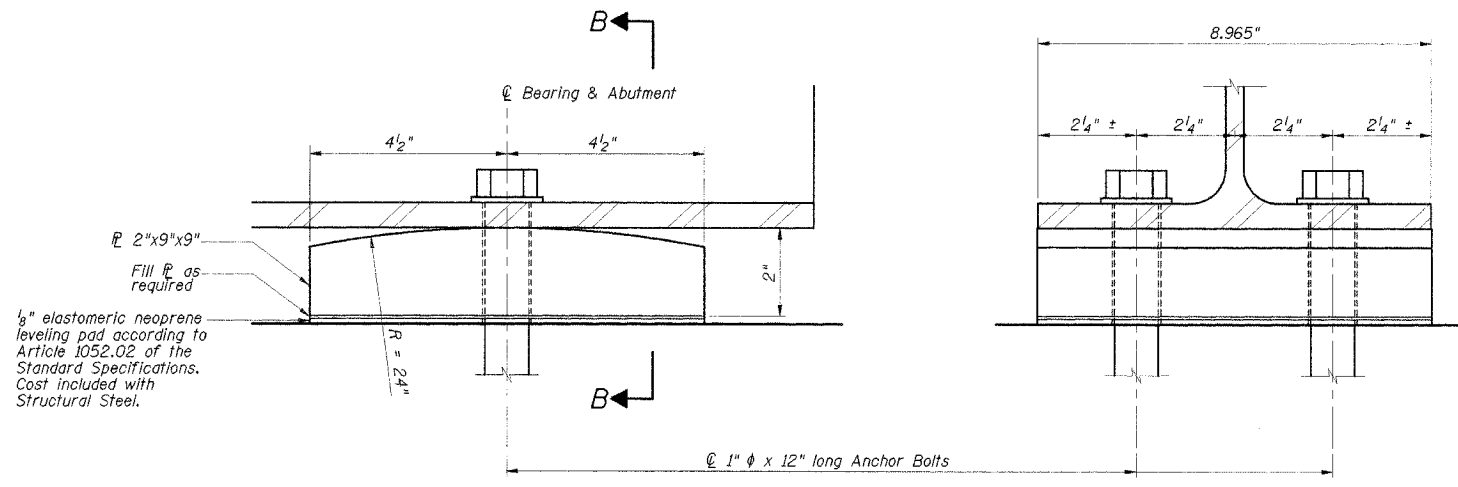


ROUTE NO.	SECTION	COUNTY	TOTAL SHEETS	SHEET NO.
TR 373	*	Vermilion	19	14
FED. ROAD DIST. NO. 7	S.U. PROJ.	FED. AID PROJECT		

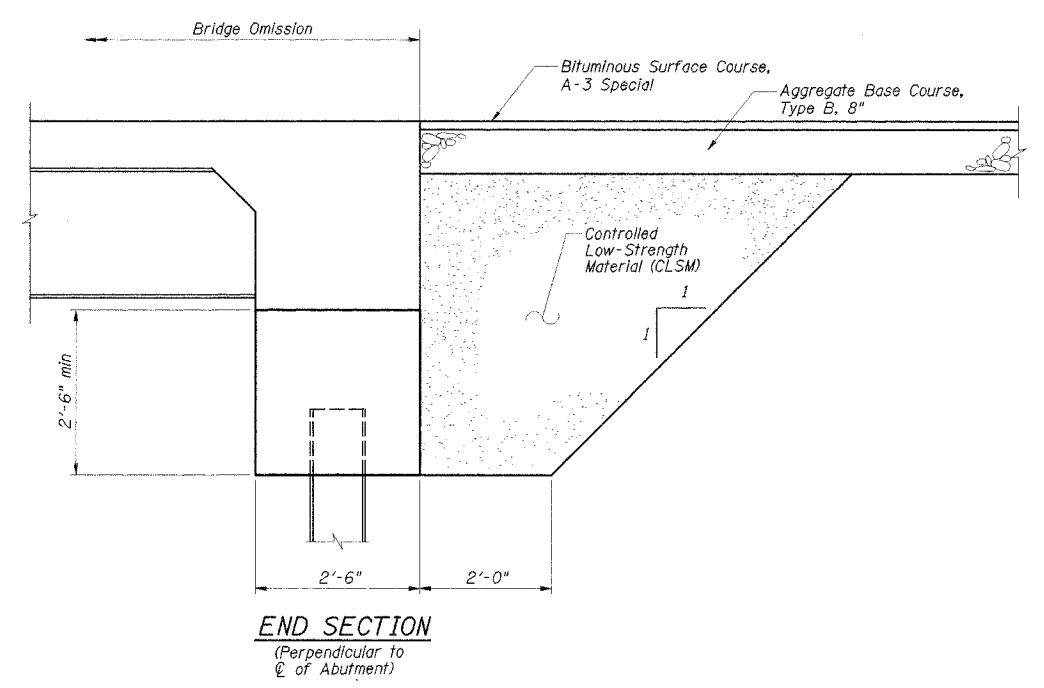
*02-04130-00-BR



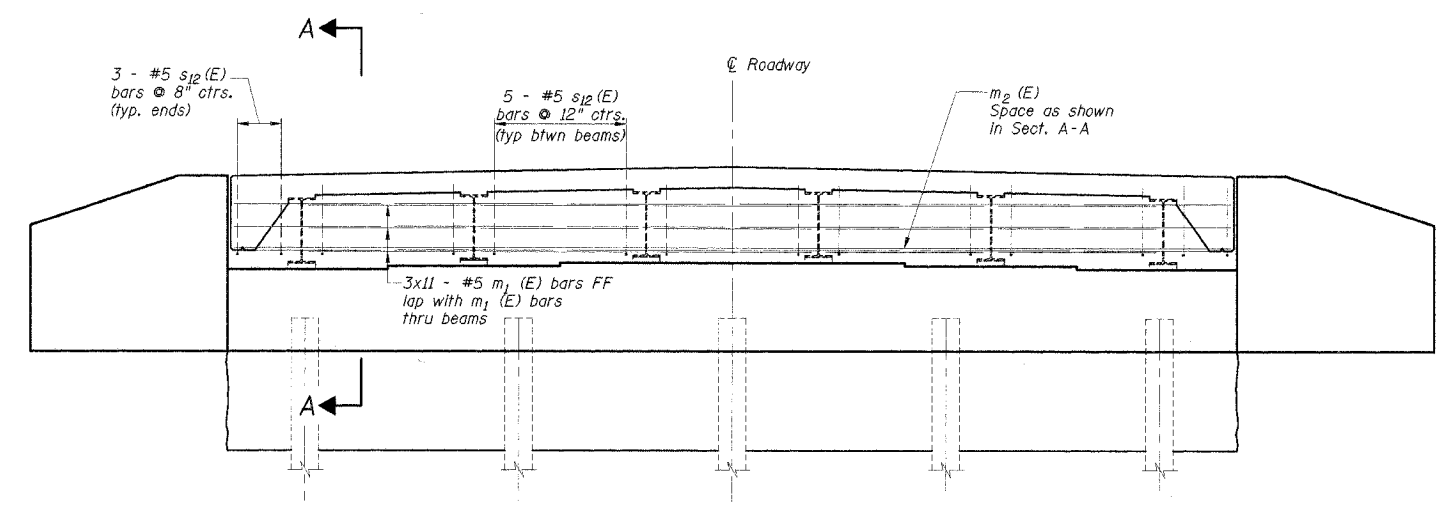
ELEVATION AT ABUTMENT

SECTION B-B

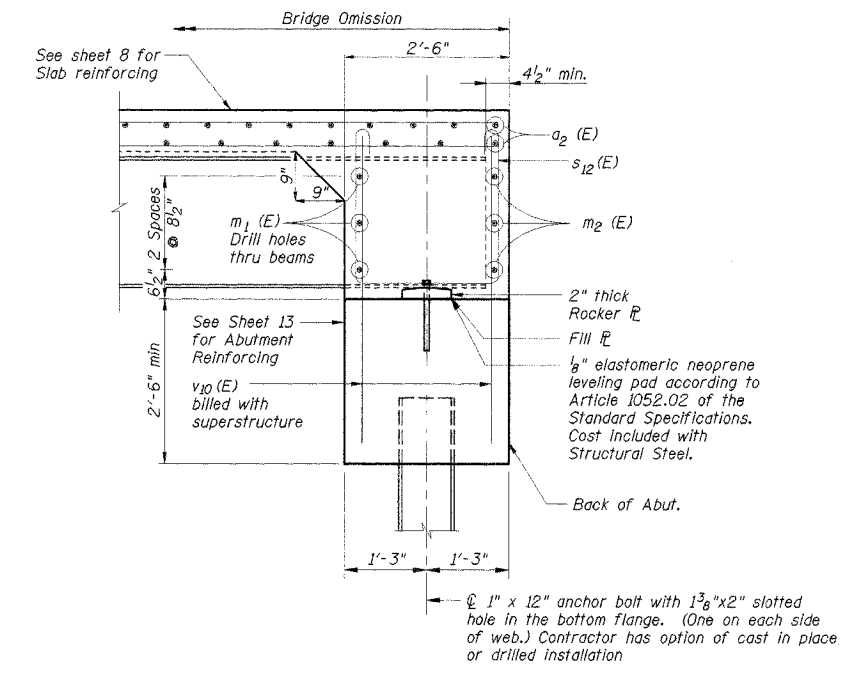
ROCKER PLATE DETAIL
 12 Required



END SECTION
 (Perpendicular to \bar{C} of Abutment)



ELEVATION
 Symmetrical about \bar{C}



SECTION A-A
 (Perpendicular to \bar{C} of Abutment)

Work sheets 8, 13 & 14 together.

DSGN	K.J. Hoffmann				
DR	K.J. Hoffmann				
CHK	K.E. Brandau				
APVD	K.E. Brandau	NO.	DATE	REVISION	BY

FRAUENHÖFFER
 Frauenhoffer and Associates, P.C. Consulting Engineers
 3002 Crossing Court Champaign, IL 61822 217-351-6268

ABUTMENT & BEARING DETAILS	SHEET 14
CATLIN ROAD DISTRICT	DWG NO. a02det.dgn
SECTION 02-04130-00-BR	DATE FEB 2006
VERMILION COUNTY	PROJ NO. 5068