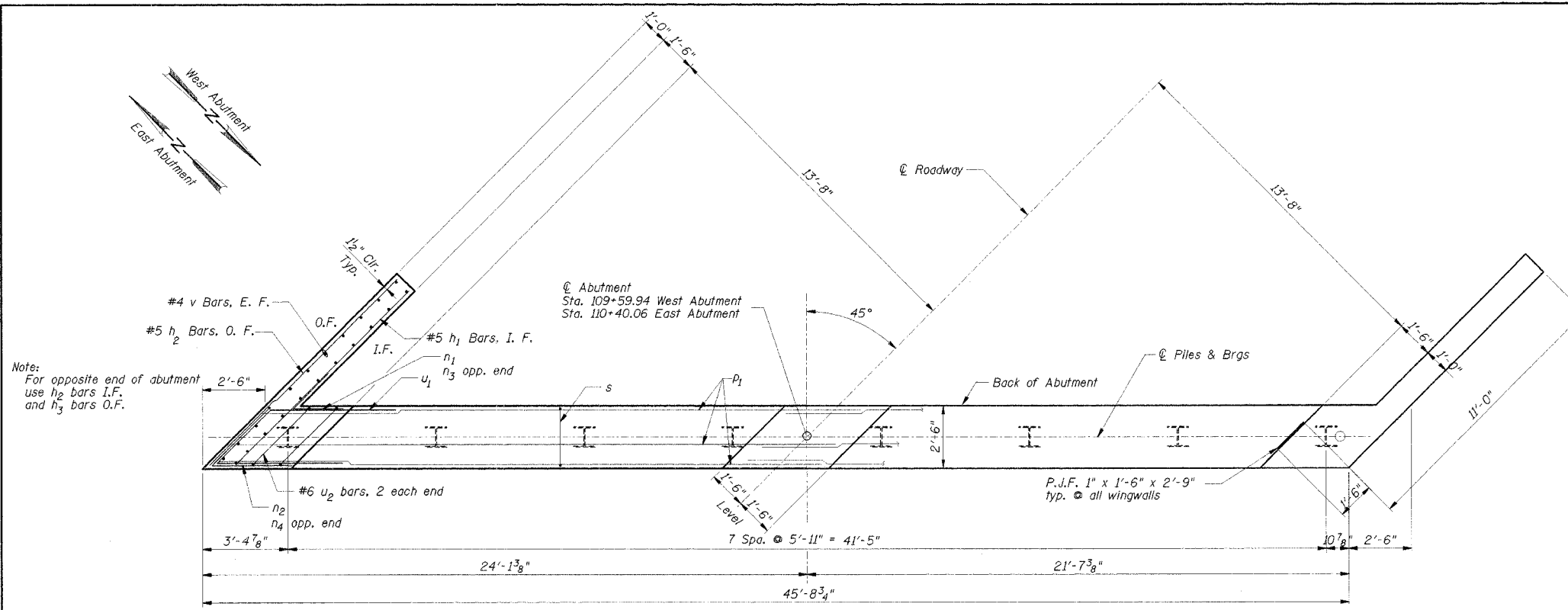
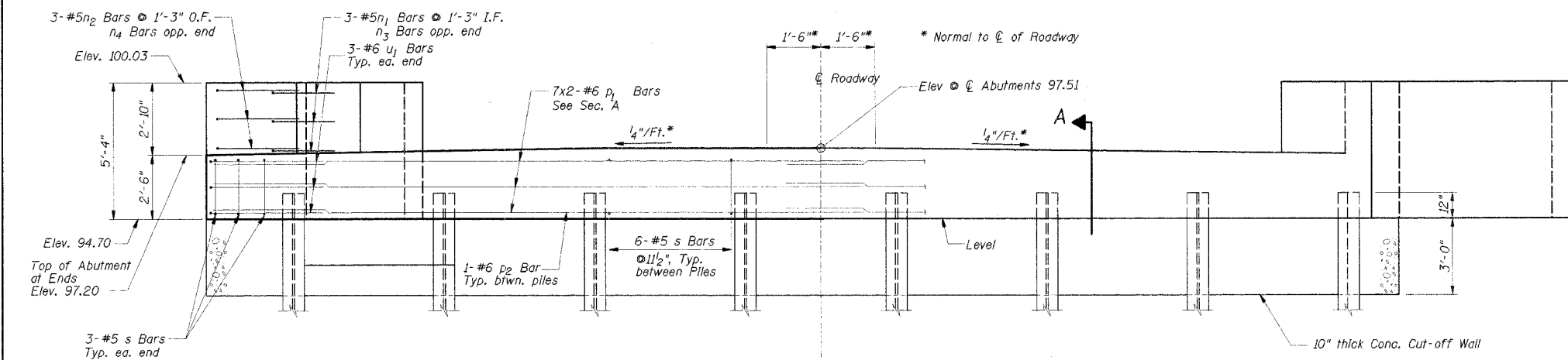
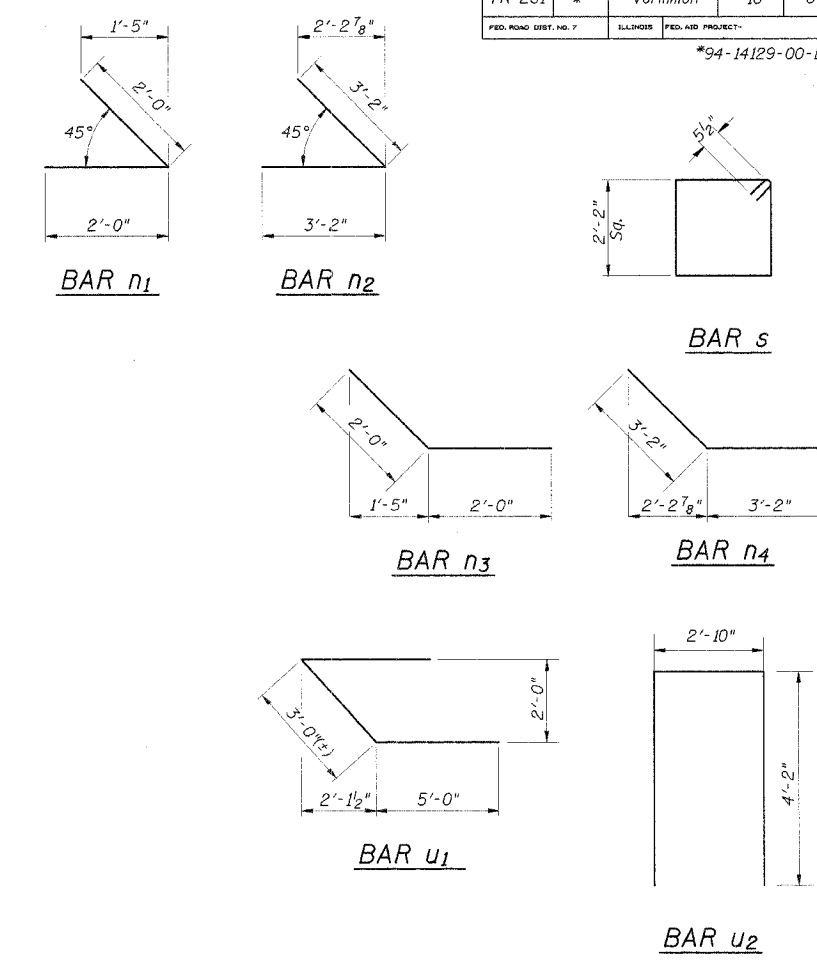


ROUTE NO.	SECTION	COUNTY	SHEET NO.	TOTAL SHEETS
TR 261	*	Vermilion	10	6

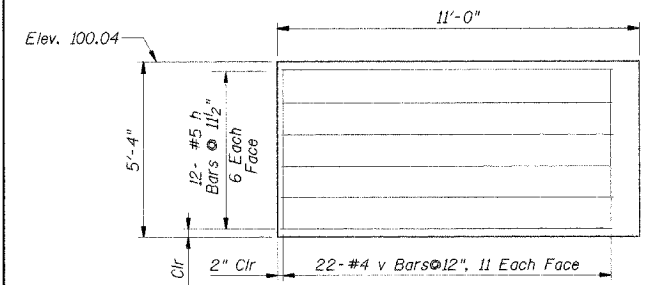
*94-14129-00-BR



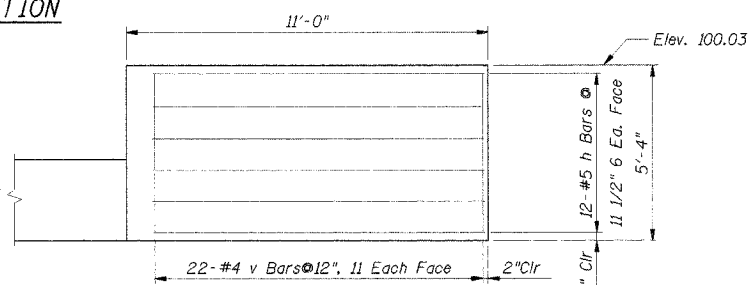
TOP PLAN



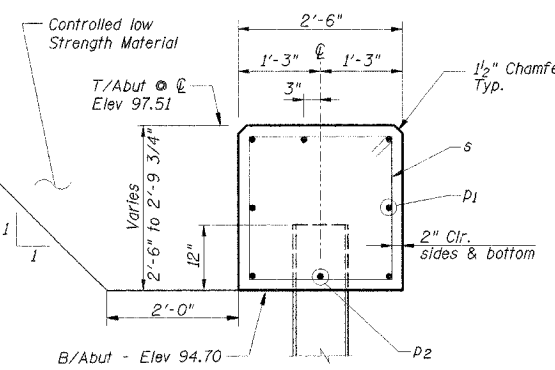
ELEVATION



SOUTHWEST WING ELEVATION



SOUTHEAST WING ELEVATION



SECTION A

PILE DATA

Type: Steel HP 10 x 42
 No. Required: 7 East Abutment
 7 West Abutment
 Capacity: 29.0 T/Pile @ W. Abutment
 29.0 T/Pile @ E. Abutment
 Est. Length: 33 Ft. E. Abutment
 33 Ft. W. Abutment
 Test Piles: 1 East Abutment
 1 West Abutment

BILL OF MATERIAL - 2 ABUTS.

Bar	No.	Size	Length	Shape
n1	12	#5	9'-9"	—
n2	24	#5	10'-8"	—
n3	12	#5	11'-6"	—
n4	6	#5	4'-0"	—
n2	6	#5	6'-4"	—
n3	6	#5	4'-0"	—
n4	6	#5	6'-4"	—
p1	28	#6	24'-3"	—
p2	14	#6	5'-6"	—
s	92	#5	9'-7"	—
u1	12	#6	13'-0"	—
u2	8	#6	11'-2"	—
v	88	#4	5'-0"	—
Concrete Structures		Cu. Yds.	32.2	
Reinforcement Bars		Lbs.	3380	
Test Pile, Steel HP10x42		Each	2	
Steel Piles, HP10x42		Foot	462	
Metal Shoes		Each	14	
Name Plate		Each	1	
Concrete Cut-off Wall		Cu. Yds.	8.5	
Structure Excavation		Cu. Yds.	165	

NOTE: All edges shall have Standard 3/4" Chamfer, except as noted.

DSGN	D.W. Walter				
DR	D. W. Walter				
CHK	K.E. Brandau				
APVD	K.E. Brandau	NO.	DATE	REVISION	BY

FRAUENHOFFER
 Frauenhoffer and Associates, P.C. Consulting Engineers
 3002 Crossing Court Champaign, IL 61822 217-351-6268

ABUTMENTS		SHEET	5
OAKWOOD ROAD DISTRICT		DWG NO.	oak2-abt.dgn
SECTION 94-14129-00-BR		DATE	DEC 2005
VERMILION COUNTY		PROJ NO.	97062