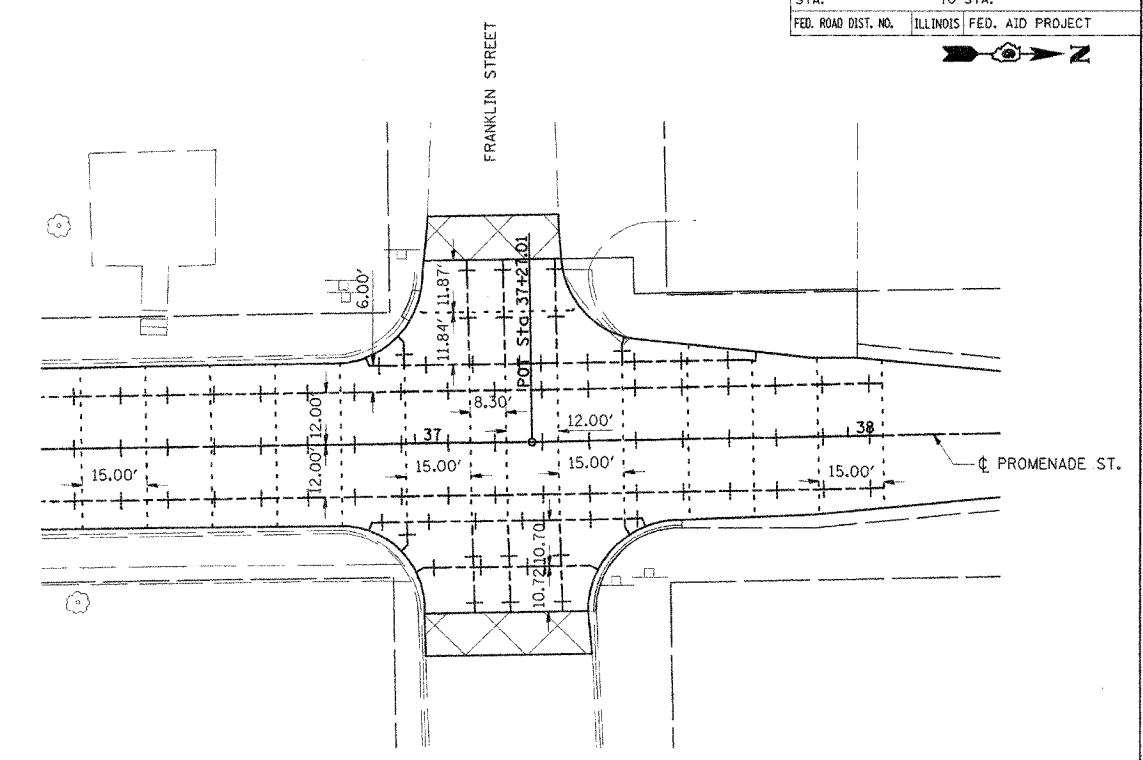
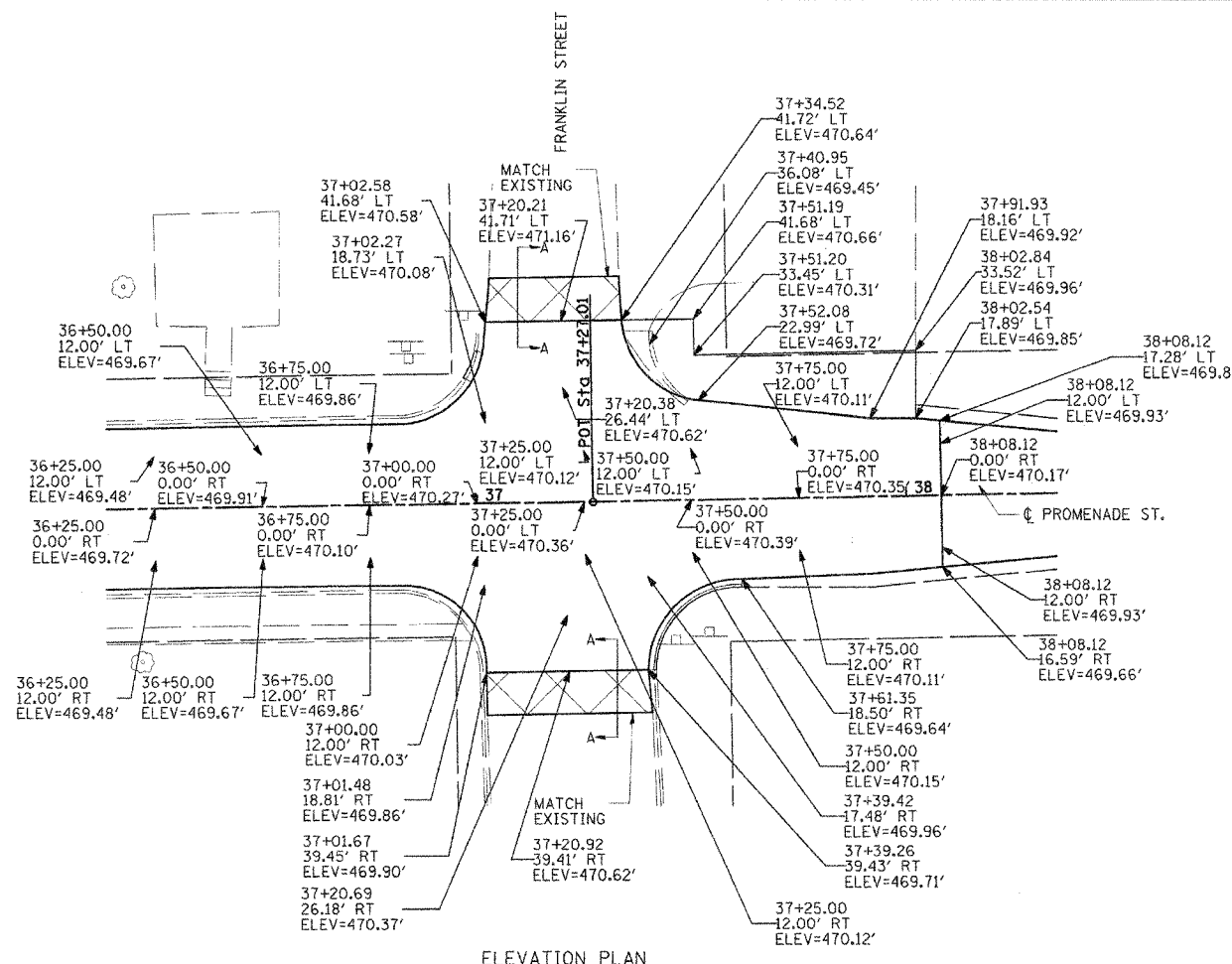


F.A.S. RTE.	SECTION	COUNTY	TOTAL SHEETS	SHEET NO.
967	04-00027-01-PV	MASON	79	68
STA.		TO STA.		
FED. ROAD DIST. NO.		ILLINOIS FED. AID PROJECT		



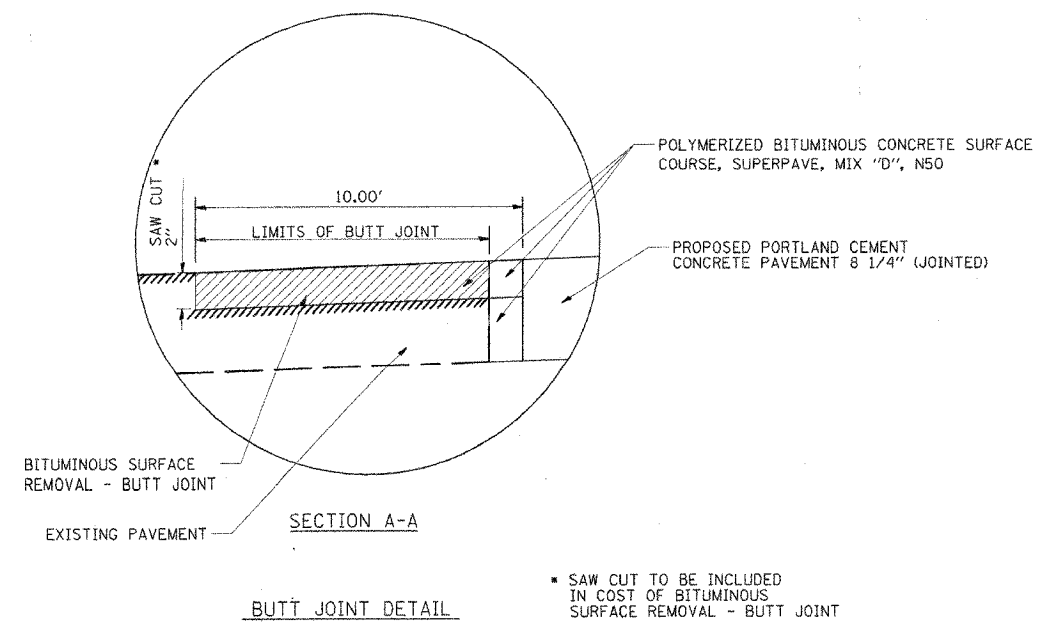
SEE MISCELLANEOUS ROADWAY DETAIL - EXPANSION JOINT 4" DETAIL FOR MORE INFORMATION

JOINTING PLAN

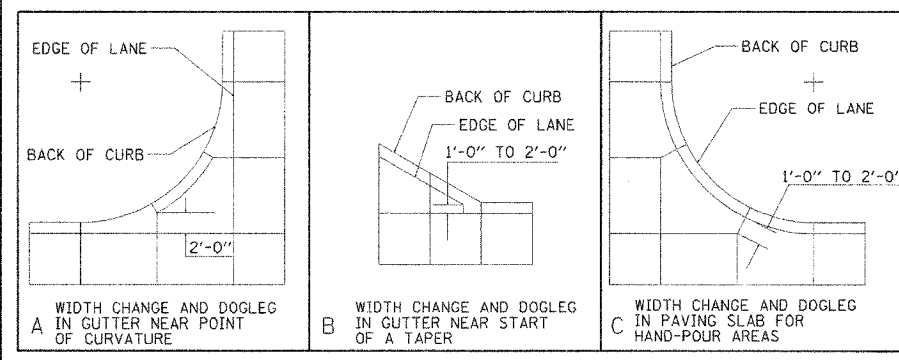
ELEVATION PLAN

LEGEND

- +--+ LONGITUDINAL CONSTRUCTION JOINT
- DOWELED TRANSVERSE CONTRACTION JOINT



\* SAW CUT TO BE INCLUDED IN COST OF BITUMINOUS SURFACE REMOVAL - BUTT JOINT



REVISIONS	
NAME	DATE

ILLINOIS DEPARTMENT OF TRANSPORTATION  
 PROMENADE STREET (C.H. 20)  
 JOINTING, ELEVATION AND  
 BUTT JOINT DETAIL  
 SCALE: VERT. \_\_\_\_\_  
 DATE 11/8/05 HORIZ. \_\_\_\_\_  
 DRAWN BY JLW  
 CHECKED BY RXC

3:34:59 PM  
 827.071.2886 - B3134 PM  
 #FILE#  
 LAYOUT KET 8/04/05  
 DRAWN TCA 1/24/06  
 REVIEWED RJC 2/03/06