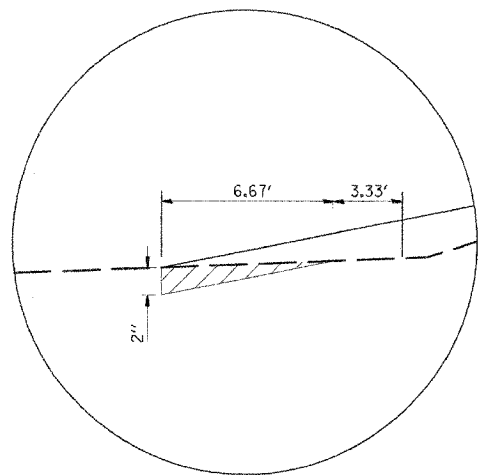
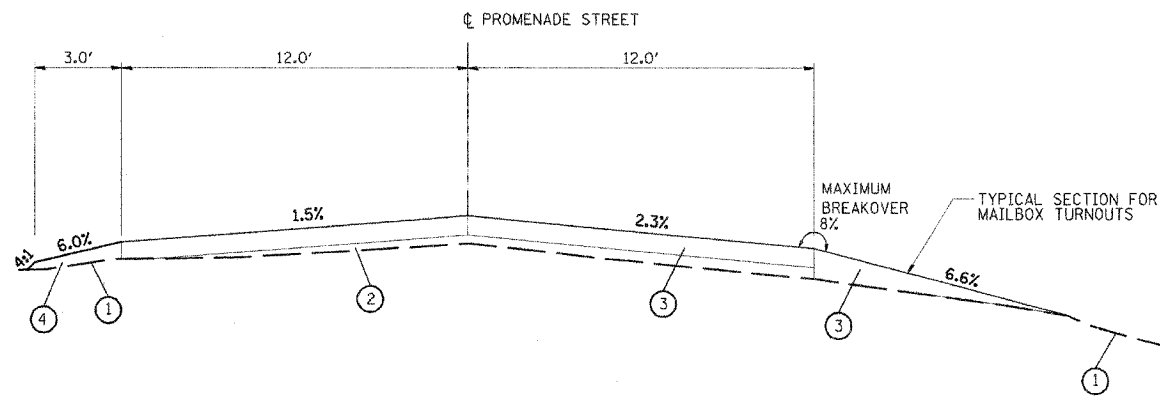


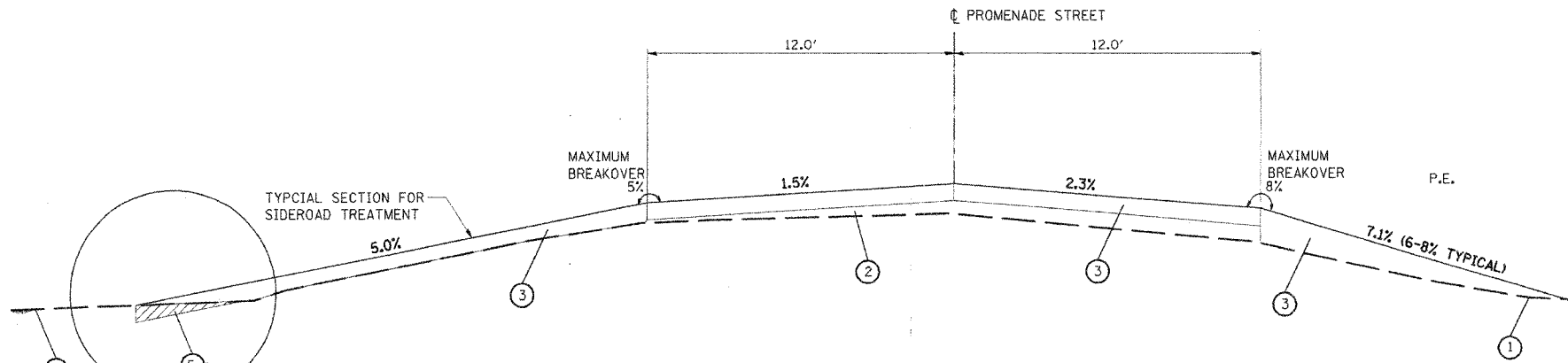
F.A.S. RTE.	SECTION	COUNTY	TOTAL SHEETS	SHEET NO.
567	04-00027-01-PV	MASON	79	78
STA.	TO STA.			
FED. ROAD DIST. NO.	ILLINOIS	FED. AID PROJECT		



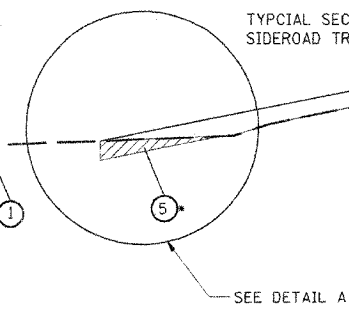
DETAIL A



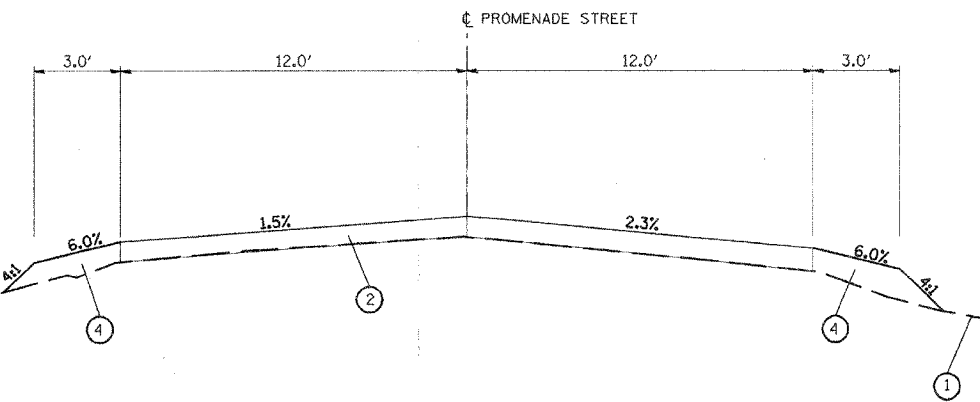
SECTION C-C
STATION 48+05



SECTION D-D
STATION 49+45



SEE DETAIL A



SECTION E-E
STATION 49+75

PROPOSED LEGEND

- ① EXISTING GROUND
- ② PROPOSED LEVELING BINDER (MACHINE METHOD), SUPERPAVE N50
- ③ PROPOSED BITUMINOUS CONCRETE SURFACE COURSE, SUPERPAVE, MIX "D", N50(2")
- ④ PROPOSED AGGREGATE SHOULDER, TYPE B
- ⑤ PROPOSED BITUMINOUS REMOVAL - BUTT JOINT

3/1/04 1:26 PM
 82-081-2006- 03/31 PM
 #FILE#
 LAYOUT KET 8/04/05
 DRAWN ICG 1/24/06
 REVIEWED RXC 2/03/06

REVISIONS	
NAME	DATE

NOT TO SCALE

ILLINOIS DEPARTMENT OF TRANSPORTATION

PROMENADE STREET (C.H. 20)
 MISCELLANEOUS ROADWAY DETAIL
 SIDE ROADS, ENTRANCES AND
 MAIL BOX TURNOUTS

SCALE: VERT. _____
 HORIZ. _____
 DATE 10/13/05

DRAWN BY JLW
 CHECKED BY RXC