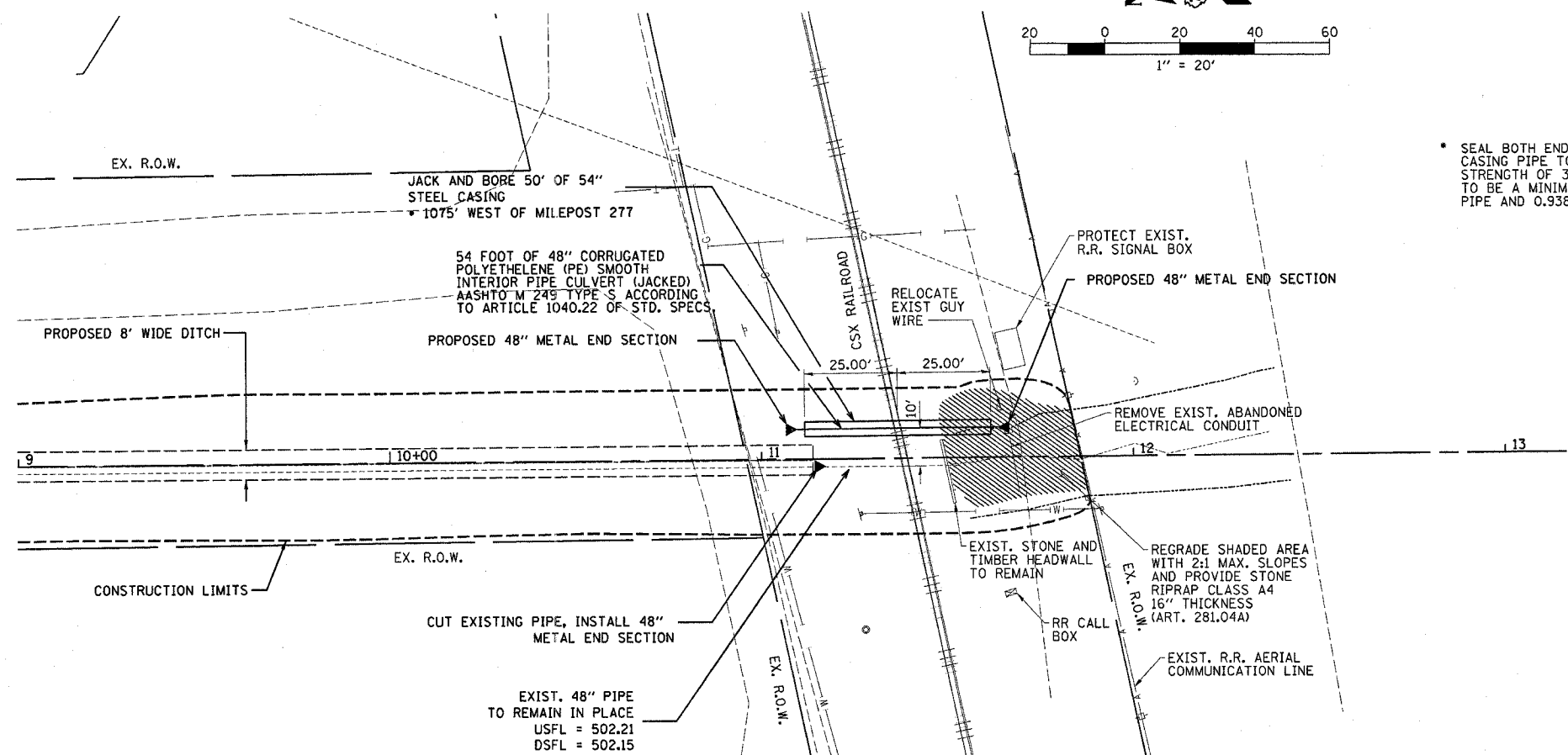
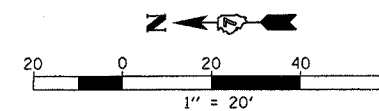
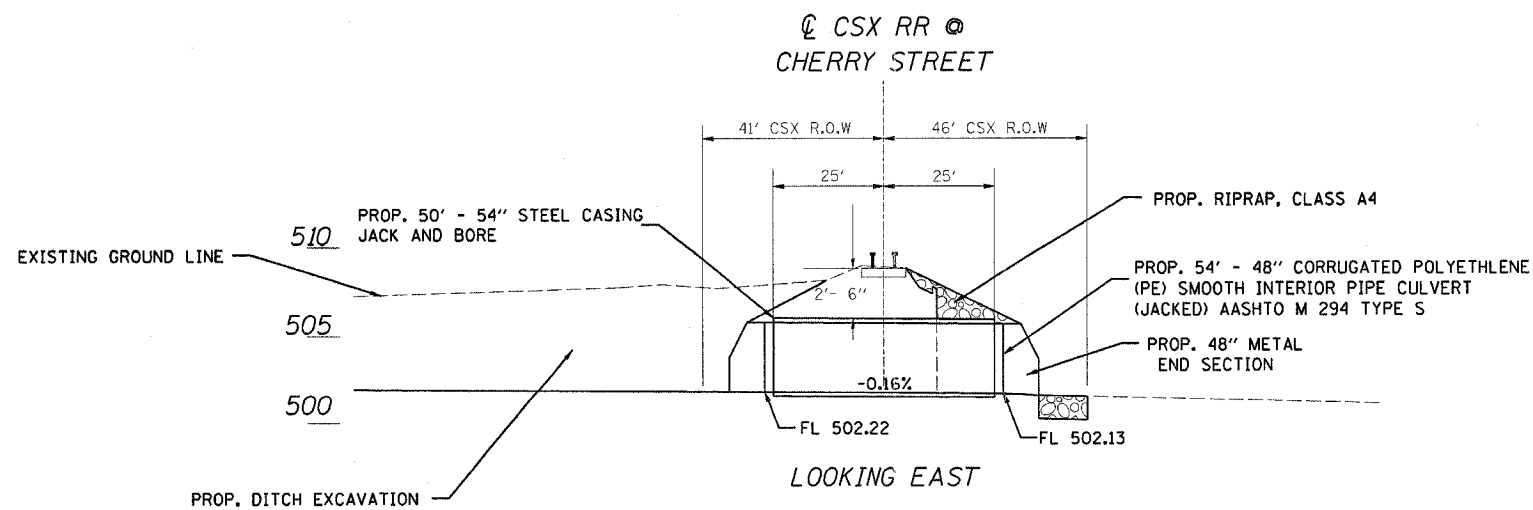


F.A.R. RTE.	SECTION	COUNTY	TOTAL SHEETS	SHEET NO.
18Z & 18Y, RS 28Z		MARION	222	104A
STA.	TO STA.			
DOT DIST. NO. 7	ILLINOIS	FED. AID PROJECT		
CONTRACT NO. 94700				



SEAL BOTH ENDS OF CASING WATER TIGHT. CASING PIPE TO HAVE MINIMUM YIELD STRENGTH OF 35,000 PSI. WALL THICKNESS TO BE A MINIMUM OF 0.875" FOR COATED PIPE AND 0.938" FOR UNPROTECTED PIPE.



REVISIONS	
NAME	DATE

ILLINOIS DEPARTMENT OF TRANSPORTATION

CHERRY STREET
CULVERT CROSSING
DETAIL

SCALE: VERT.
HORIZ.
DATE

DRAWN BY
CHECKED BY

Revised 3/22/06