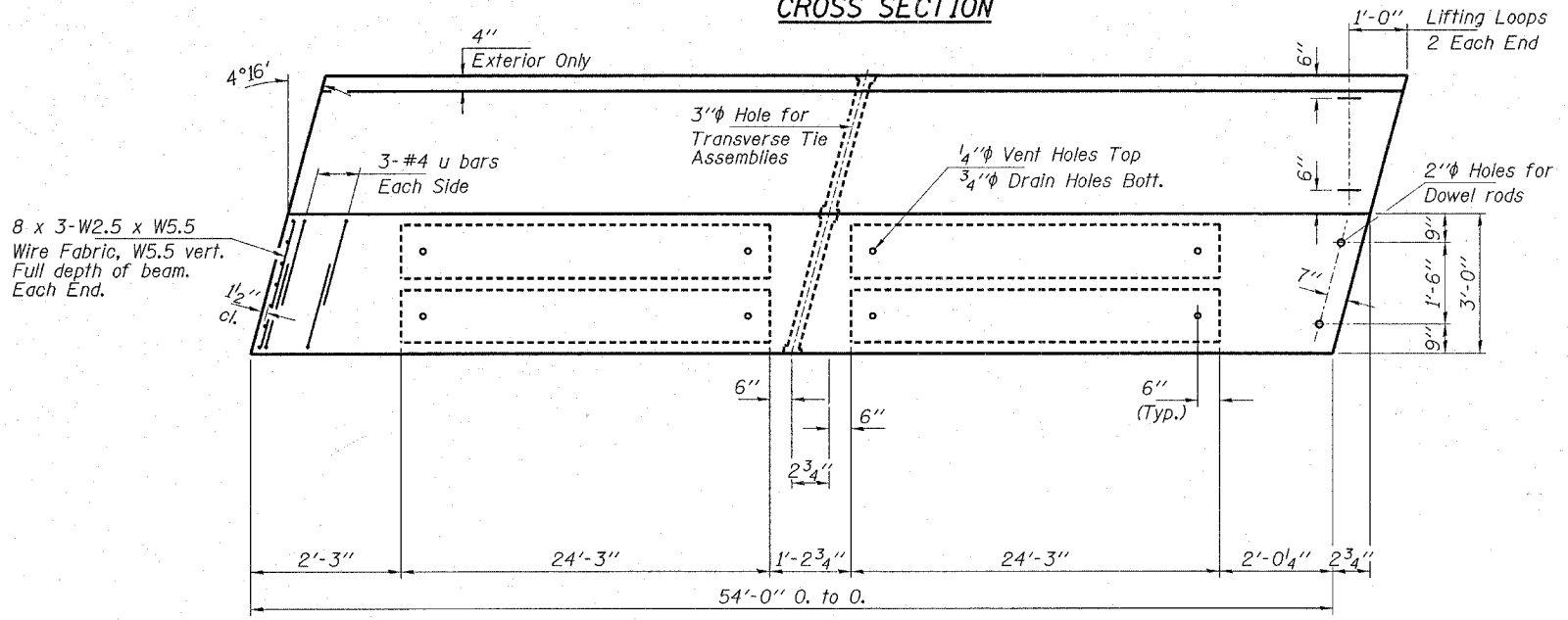
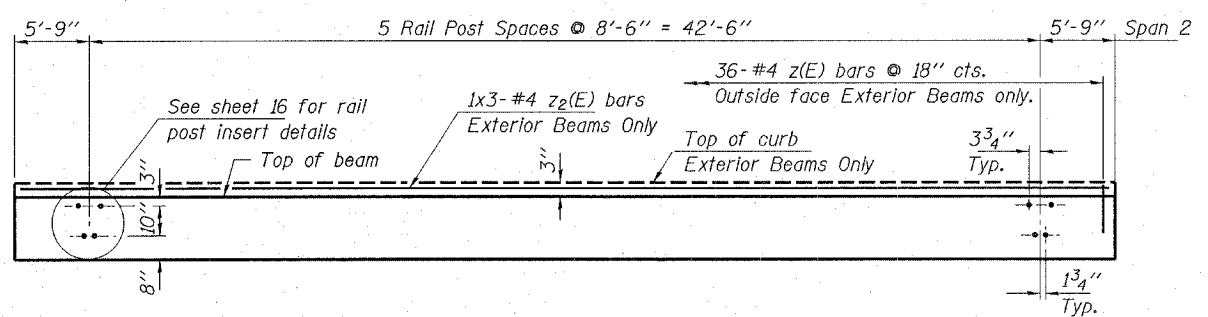


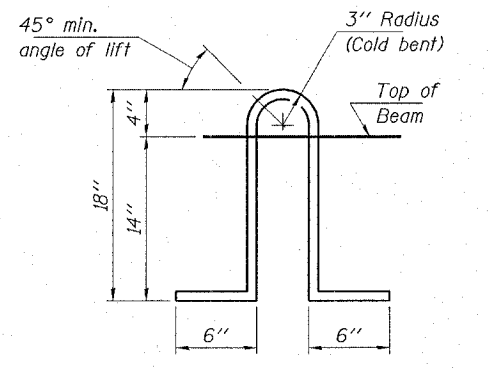
**CROSS SECTION**



**PLAN**

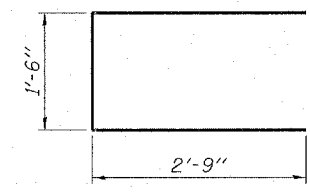


**ELEVATION OF OUTSIDE BEAMS**  
Showing Rail Post Spacing

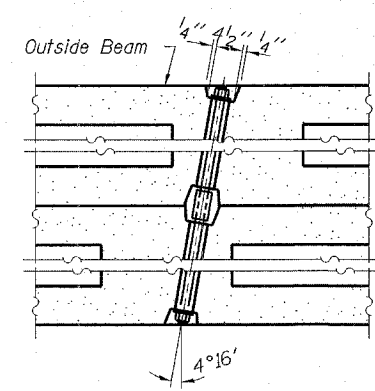


**LIFTING LOOP DETAIL**

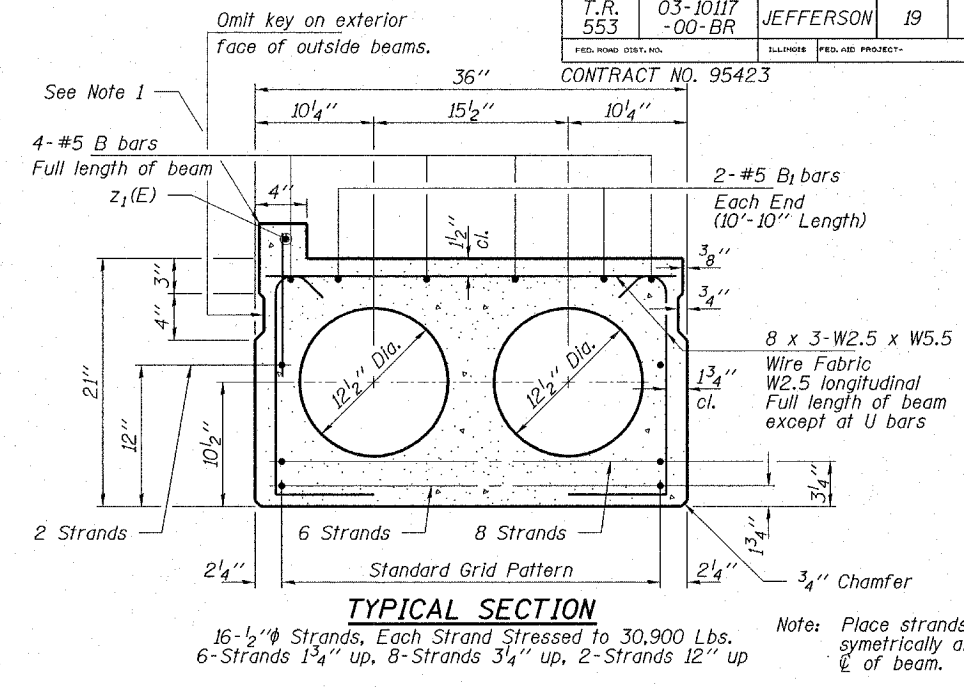
Approved alternate may be substituted for the above.  
Approx. Weight of 1 Beam = 30,000 lbs.



**BAR U**



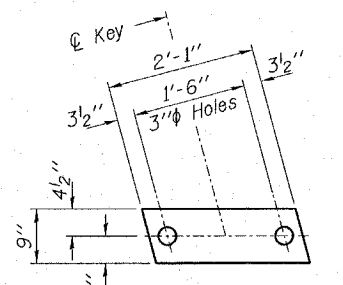
**TYPICAL TRANSVERSE TIE ASSEMBLY**



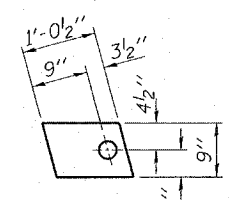
**TYPICAL SECTION**

BAR	NO.	SIZE	LENGTH	SHAPE
z(E)	64	#4	1'-4"	—
z1(E)	4	#4	24'-0"	—

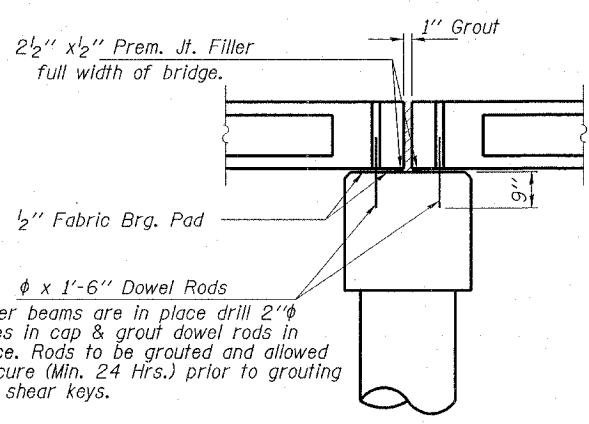
For information only.  
Cost included in deck beams.



**FABRIC BEARING PAD**  
(Interior - 16 Req'd)



**FABRIC BEARING PAD**  
(Exterior - 4 Req'd)



**SECTION AT PIERS**

© Rf. L's

**NOTES**

The exterior beams shall be cast with a 4" wide x 3" high concrete curb with reinforcement cast integrally with the beam. The z(E) and z(E) bars shall be included in the unit cost for deck beams. Prestressing steel shall be uncoated high strength, low-relaxation 7-wire strand, Grade 270. The nominal diameter shall be 1/2" and the nominal cross-sectional area shall be 0.153 sq. in. Lifting loops shall be 2-1/2" #270 ksi strands, as shown. The 1" rods in the transverse tie assembly shall be tightened to a snug fit and the threads set. Pockets that receive transverse tie bar on outside shall be filled with grout after transverse tie assembly is in place. Non prestressing steel bars shall conform to the requirements of AASHTO M-31 or M-322 Grade 60. The bearing seat surfaces shall be adjusted by shimming to assure firm and even bearing. Two 1/8" fabric adjusting shims of the dimensions of the Exterior Bearing Pad shall be provided for each bearing. Keyway surfaces shall be cleaned to remove form oil or other bond breaking material prior to shipment of the beams. Cleaning shall be done by sandblasting the keyway areas between top of the beam and the bottom edge of the key. Required Release Strength, f'cl, shall be 4,000 p.s.i. A Calcium Nitrate Corrosion Inhibitor shall be used in the concrete for precast prestressed concrete deck beams.

**BILL OF MATERIAL**

ITEM	UNIT	QUANTITY
Precast Prestressed Concrete Deck Beams (21" Depth)	Sq. Ft.	1,458

**HLR**  
Rice, Berry and Associates  
A Division of Hampton, Lenzini and Renwick, Inc.  
Civil & Structural Engineers  
3085 Stevenson Drive  
Suite 201  
Springfield, Illinois 62703  
217-546-3400  
P.O. Box 1036  
DuQuoin, Illinois 62832  
618-790-4637  
Account Number 12-49-0002-1  
Date: 01/04/06  
DESIGNED: S.M.S. CHECKED: S.W.M. DRAWN: D.B.

**SUPERSTRUCTURE - SPAN 2**  
SECTION 03-10117-00-BR  
MOORES PRAIRIE ROAD DISTRICT  
JEFFERSON COUNTY  
STR. NO. 041-9929 STATION 20+00