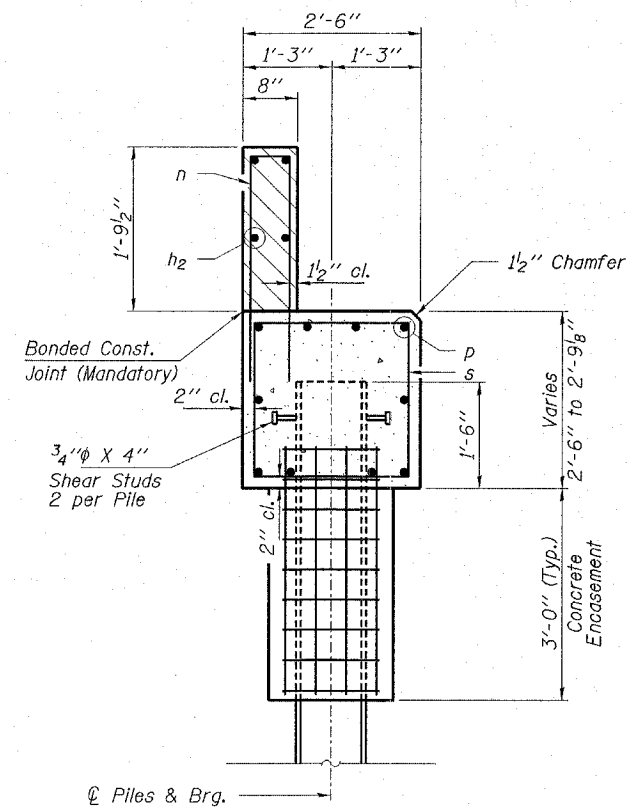
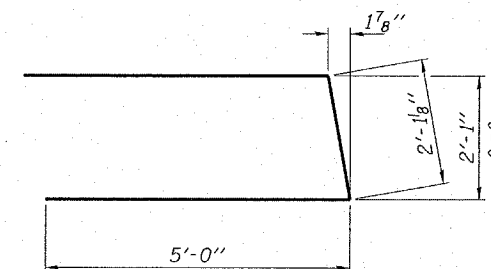


**PLAN**

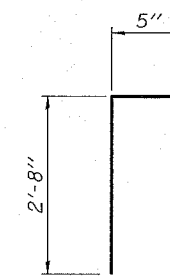


**SECTION A-A**

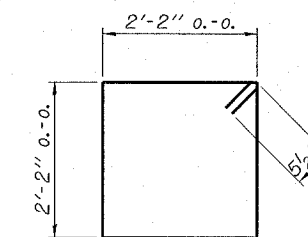
Hatched area to be poured after deck beams are in place.



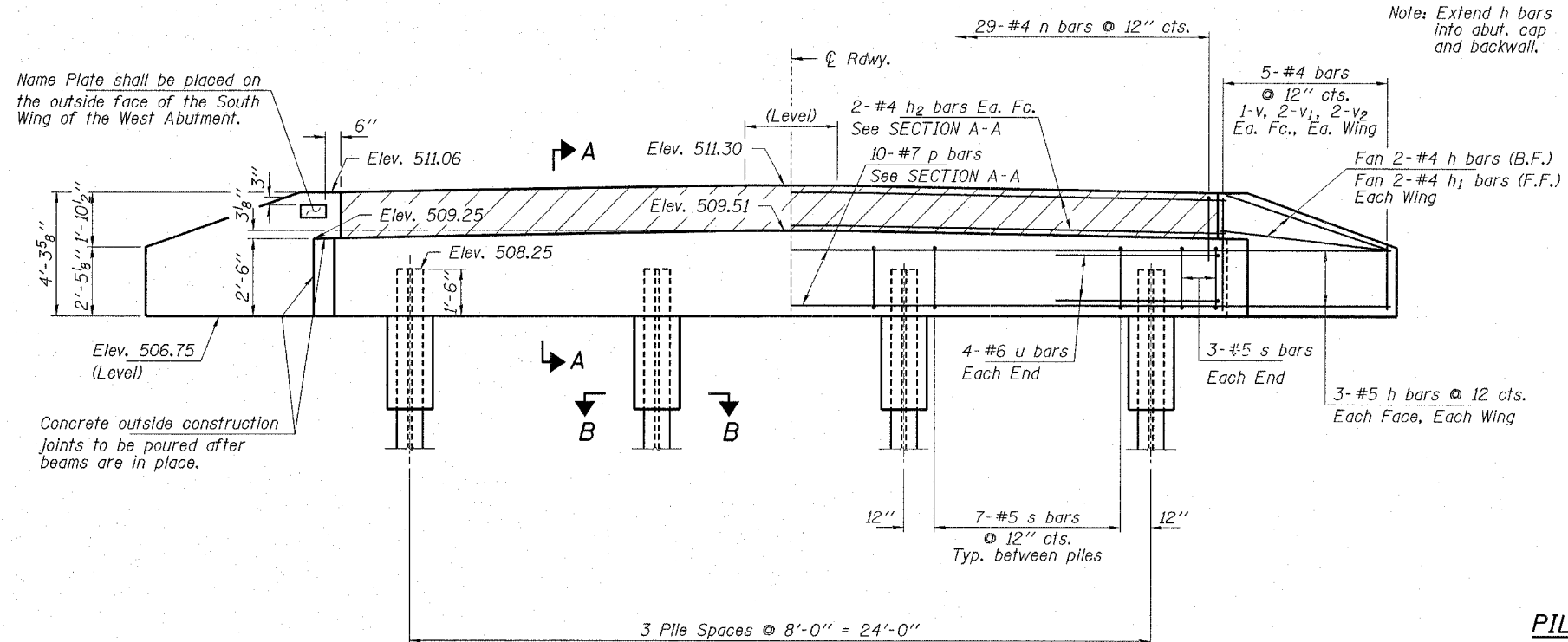
**BAR u**



**BAR n**

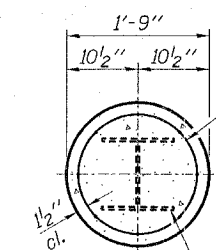


**BAR s**



**ELEVATION**

Note: Extend h bars into abut. cap and backwall.



**SECTION B-B**

Welded wire fabric 6 x 6-W4.0 x W4.0 weighing 58#/100 sq. ft. The cost of Excavation and Reinforcement is incidental to the cost of Concrete Encasement.

Steel Pile HP10x42

**BILL OF MATERIAL - 2 ABUTS.**

BAR	NO.	SIZE	LENGTH	SHAPE
h	32	#5	5'-6"	—
h <sub>1</sub>	8	#4	4'-6"	—
h <sub>2</sub>	8	#4	28'-3"	—
n	58	#4	5'-9"	⊥
p	20	#7	28'-3"	—
s	54	#5	9'-7"	□
u	16	#6	12'-2"	—
v	8	#4	4'-1"	—
v <sub>1</sub>	16	#4	3'-1"	—
v <sub>2</sub>	16	#4	2'-2"	—
Concrete Structures			Cu. Yd.	18.6
Reinforcement Bars			Pound	2,620
Steel Piles HP10x42			Foot	210
Test Pile Steel HP10x42			Foot	1
Name Plates			Each	1
Stud Shear Connectors			Each	16
Concrete Encasement			Cu. Yd.	2.0

**PILE DATA**

Type.....Steel Piles HP10x42  
 No. Req'd. (2 Abuts.).....\*8  
 Capacity.....Drive to Refusal  
 Est. Length.....30 Feet/Pile

\*Includes one steel test pile to be driven in a permanent location at the West Abutment.

**HLR**  
 Rice, Berry and Associates  
 A Division of Hampton, Lenzini and Renwick, Inc.  
 Civil & Structural Engineers  
 3085 Stevenson Drive  
 Suite 201  
 Springfield, Illinois 62703  
 217-546-3400  
 P.O. Box 1036  
 DuQuoin, Illinois 62832  
 618-790-4637  
 Date: 01/04/06  
 Account Number 12-49-0002-1  
 DESIGNED: S.M.S. CHECKED: S.W.M. DRAWN: D.B.

**ABUTMENTS**  
 SECTION 03-10117-00-BR  
 MOORES PRAIRIE ROAD DISTRICT  
 JEFFERSON COUNTY  
 STRUCTURE NO. 041-9929 STATION 20+00