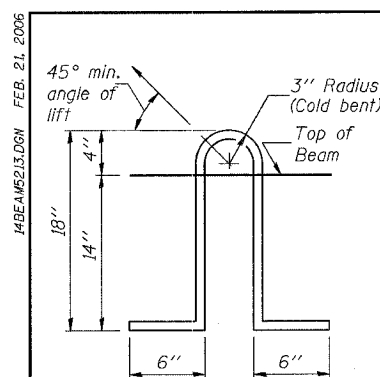
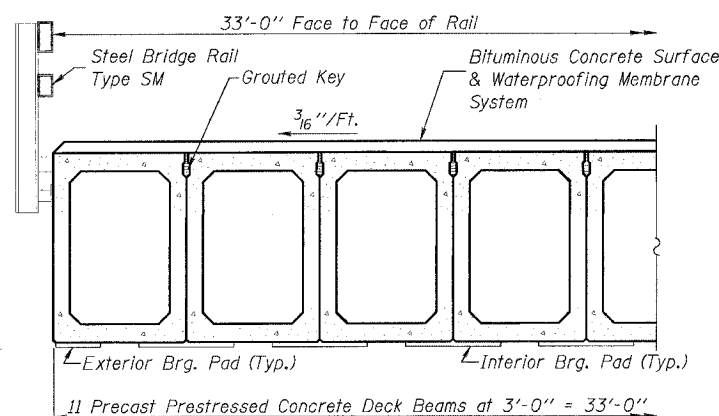


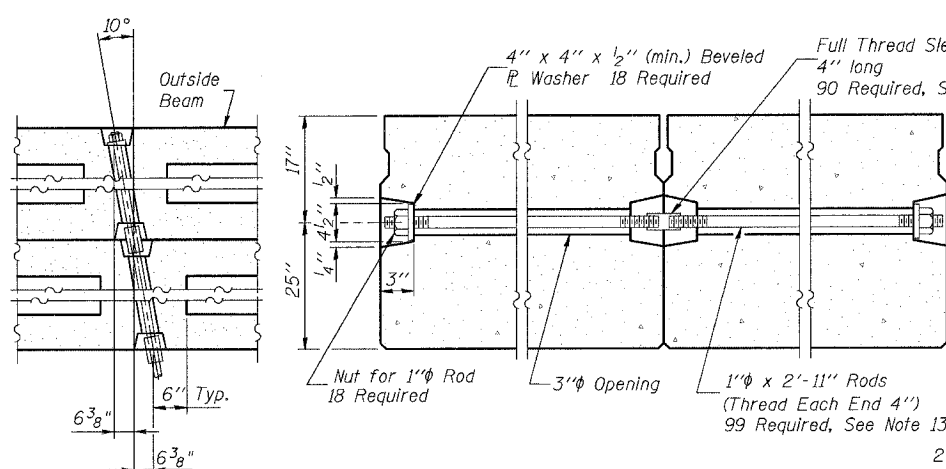
ROUTE NO.	SECTION	COUNTY	TOTAL SHEETS	SHEET NO.
FAS 788 (C.H. 24/ C.H. 15)	03-00075-00-BR, WASH. 03-00082-00-BR, CLIN.	WASHINGTON CLINTON	22	14



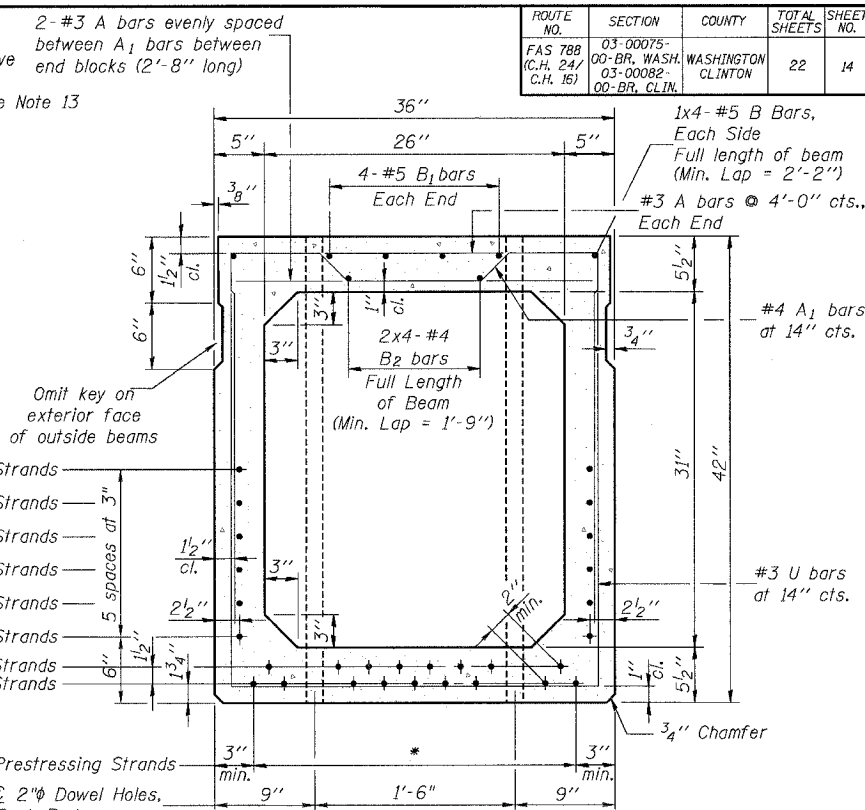
LIFTING LOOP DETAIL



PARTIAL CROSS SECTION



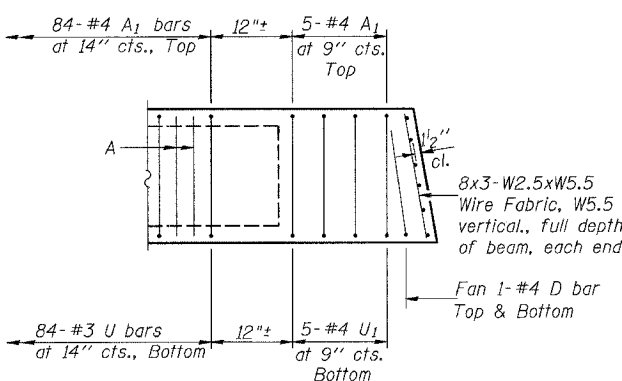
TYPICAL TRANSVERSE TIE ASSEMBLY



TYPICAL SECTION

NOTES

1. Prestressing steel shall be uncoated high strength, low-relaxation 7-wire strand, Grade 270.
2. The nominal diameter shall be 1/2" and the nominal cross-sectional area shall be 0.153 sq. in.
3. Lifting loops shall be 4-1/2"φ-270 ksi strands, as shown. Alternate approved lifting devices are also acceptable.
4. The 1"φ rods in the transverse tie assembly shall be tightened to a snug fit and the threads set. Pockets that receive transverse tie bar on outside shall be filled with grout after transverse tie assembly is in place.
5. Reinforcement bars shall conform to the requirements of AASHTO M-31 or M-322, Grade 60.
6. The bearing seat surfaces shall be adjusted by shimming to assure firm and even bearing. Two 1/8" fabric adjusting shims of the dimensions of the Exterior Bearing Pad shall be provided for each bearing.
7. Keyway surfaces shall be cleaned to remove form oil or other bond breaking material prior to shipment of the beams. Cleaning shall be done by sandblasting the keyway areas between top of the beam and the bottom edge of the key.
8. A Calcium Nitrite Corrosion Inhibitor, as covered in the Special Provisions, shall be used in the concrete for precast prestressed concrete deck beams.
9. Required Release Strength, f'ci, shall be 5,000 p.s.i.
10. Rail Post anchor devices shall be cast into outside beam as elsewhere specified.
11. When Waterproofing Membrane System is specified, the top surface of the beams shall be finished in accordance with Article 504.06 of the Standard Specifications except that the surface shall not be roughened by brooming. The finished surface shall be free of depressions or high spots with sharp corners and the top edge of the keys shall be rounded or chamfered a minimum of 1/4".
12. Bar Designation 2x2 - #4, etc. indicates 2 lines of bars with 2 lengths per line.
13. Alternate approved transverse tie rods of increased segmental length are acceptable.

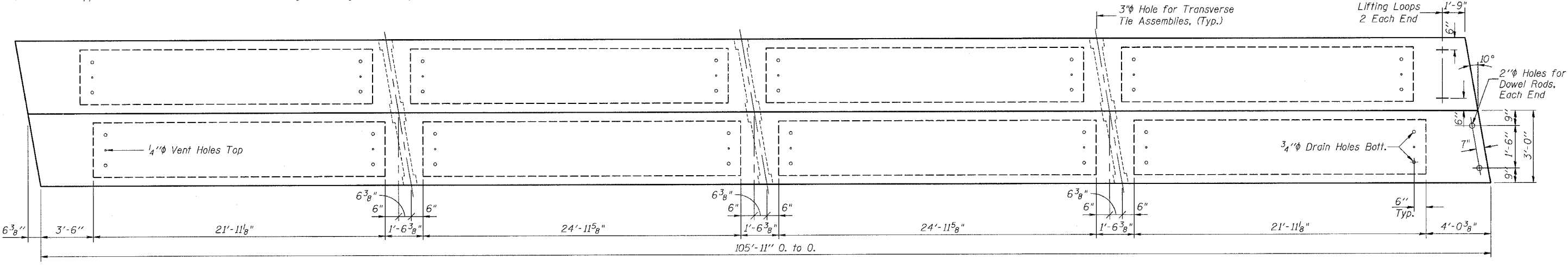


END PLAN

BAR LIST FOR ONE BEAM

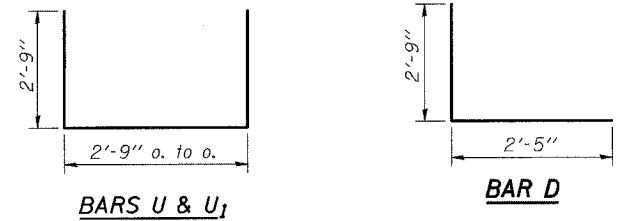
Bar	No.	Size	Length	Shape
A	178	#3	2'-8"	—
A ₁	94	#4	7'-0"	⌋
B	8	#5	28'-2"	—
B ₁	8	#5	21'-6"	—
B ₂	8	#4	27'-10"	—
D	4	#4	5'-2"	L
U	84	#3	8'-3"	⌊
U ₁	10	#4	8'-3"	⌊

- TRANSVERSE STRAND PLACEMENT GUIDELINES**
1. Place strands symmetrically about centerline of beam.
 2. The min. distance from ctr./ctr. of strands in all directions shall be 2".
 3. The minimum clearance from strand to dowel hole shall be 1/2".
 4. The minimum clearance from strand to void shall be 1/2".
- Vertical placement of strands shall not be adjusted to satisfy the above guidelines.

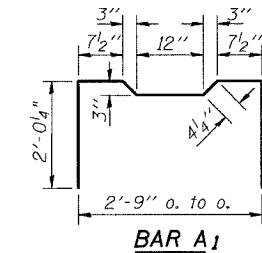


PLAN

DESIGNED:	L.D.G.
CHECKED:	B.G.H.
DRAWN:	K.H.L.
CHECKED:	L.D.G.



MIN. BAR LAP
#4 bars = 1'-4"
#5 bars = 1'-8"



42"x36" P.P.C. DECK BEAM DETAILS
F.A.S. 788 (C.H. 24/C.H. 16)
OVER CROOKED CREEK
SECTION 03-00075-00-BR
WASHINGTON COUNTY
SECTION 03-00082-00-BR
CLINTON COUNTY