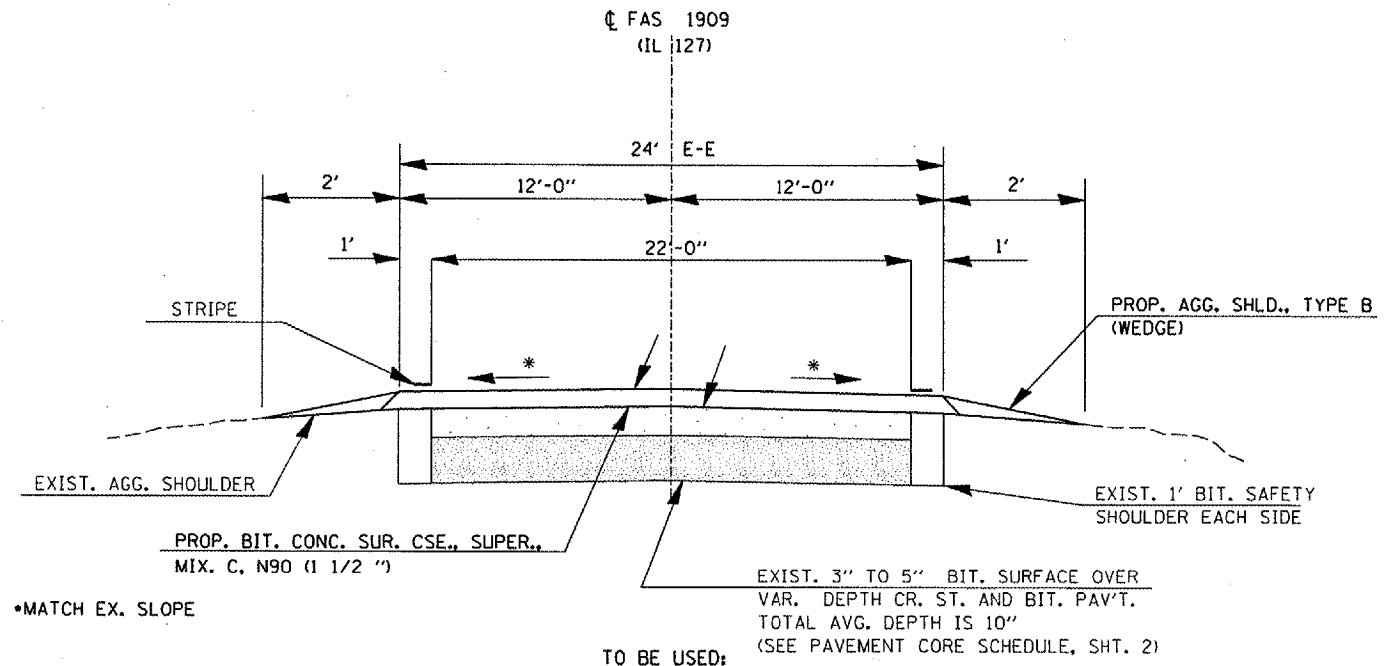


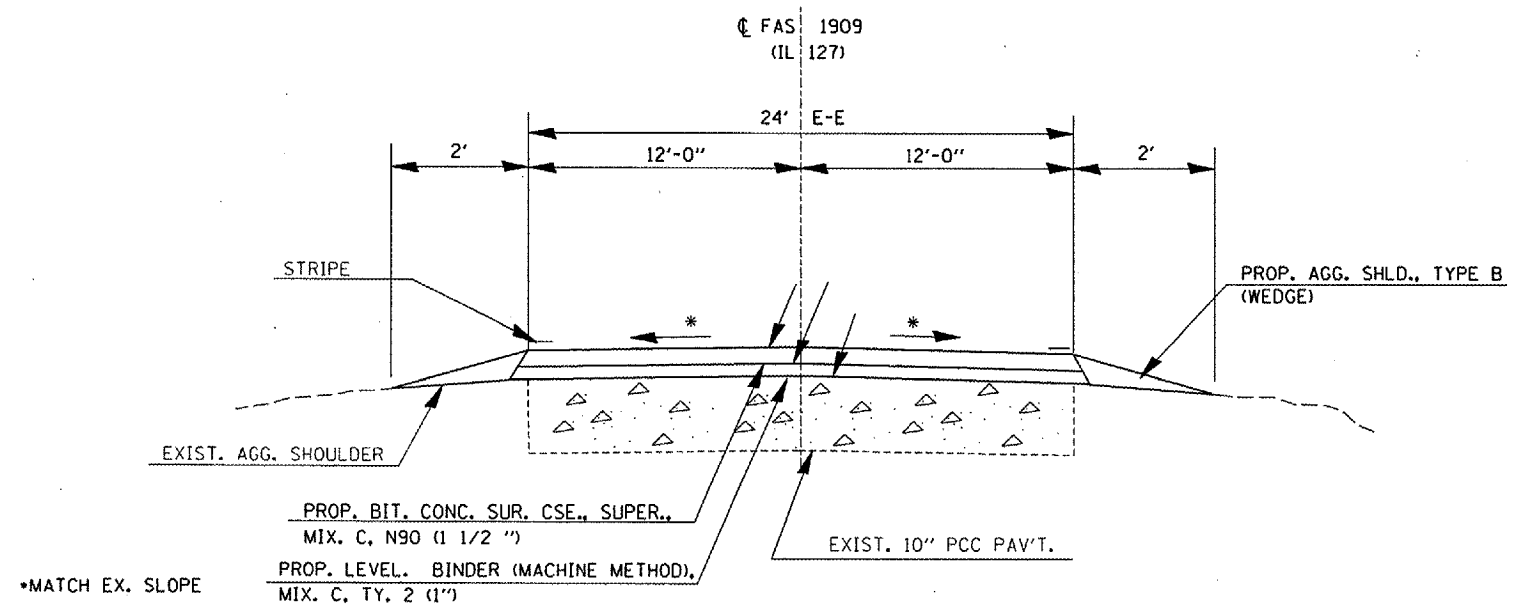
F.A.S. RTE.	SECTION	COUNTY	TOTAL SHEETS	SHEET NO.
1909		JACKSON	12	5
STA.		TO STA.		
FED. ROAD DIST. NO.	ILLINOIS	FED. AID PROJECT		
*09 SMART FY 05-1				C.N. 98844

TYPICAL SECTION



TO BE USED:
 STA. 3+73 TO 146+57
 STA. 159+91 TO STA. 300+09 (NORTH BUTT JT. S.N. 039-0060)
 STA. 301+16 (SOUTH BUTT JT. S.N. 039-0060) TO STA. 335+53

TYPICAL SECTION



TO BE USED:
 STA. 0+82 TO STA. 3+73 (END OF PCC PAV'T.)