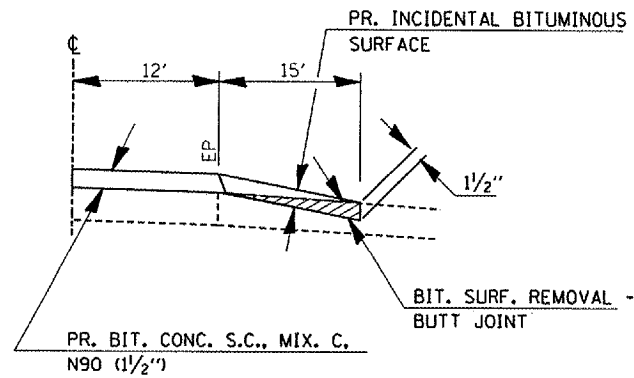
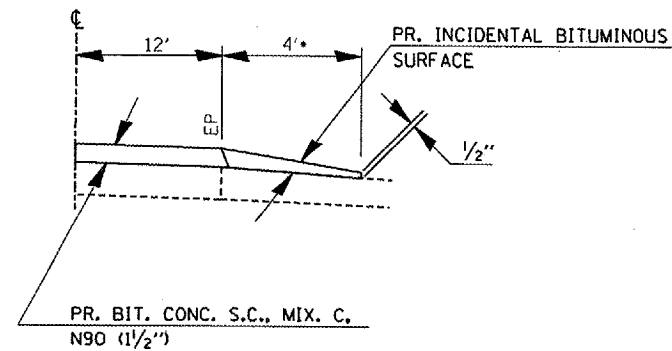


SIDEROAD AND ENTRANCE DETAILS

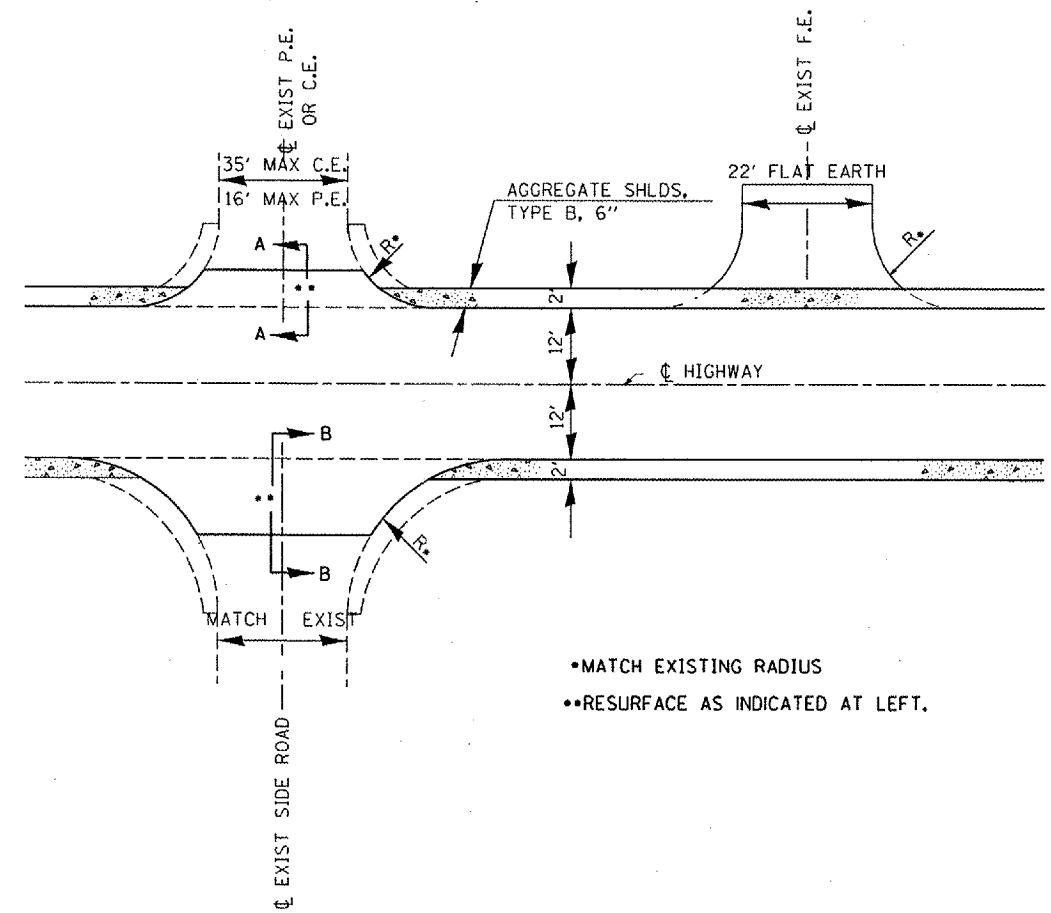
F. A. S. A/E.	SECTION	COUNTY	TOTAL SHEETS	SHEET NO.
1909	*	JACKSON	13	10
STA.		TO STA.		
FED. ROAD DIST. NO.	ILLINOIS	FED. AID PROJECT		
*D9 SMART FY 05-1				C.N. 98844



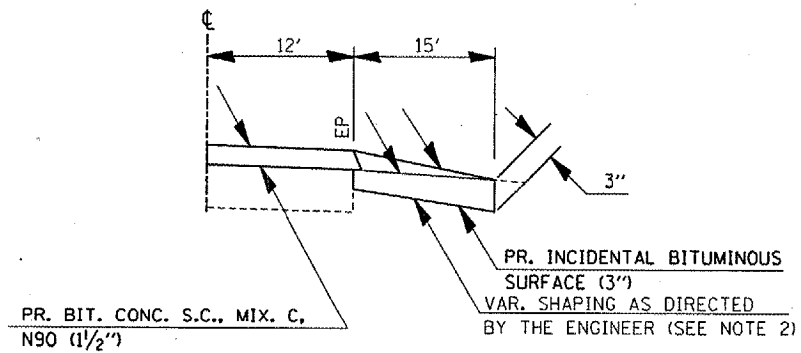
SIDE ROAD SEC. B-B
EX. BIT. OR CONC. SURFACE



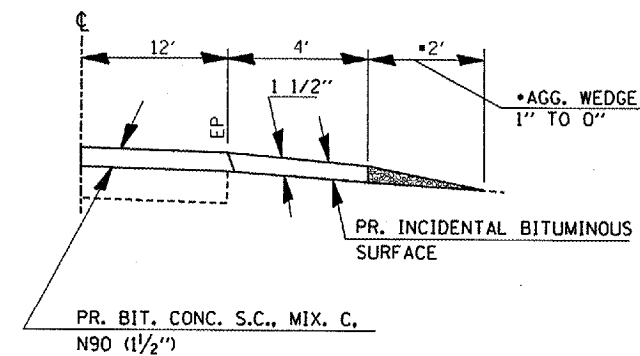
PE OR CE SEC. A-A
EX. BIT. OR CONC. SURFACE
•OR END OF BIT. APRON
2 PE'S & 4 CE'S



- MATCH EXISTING RADIUS
- RESURFACE AS INDICATED AT LEFT.



SIDE ROAD SEC. B-B
EX. AGGREGATE SURFACE
(SEE NOTE 1)



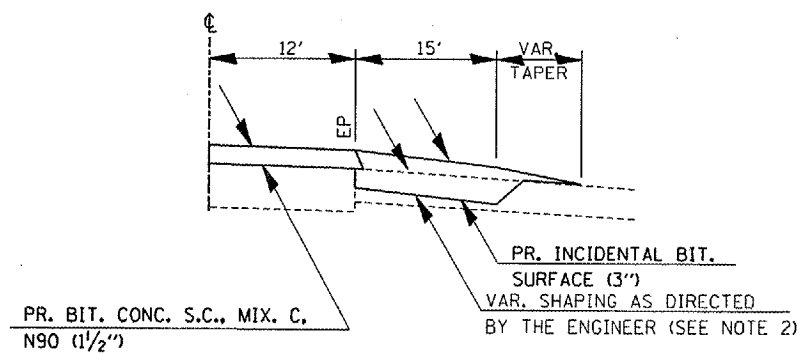
PE OR CE SEC. A-A
EX. AGGREGATE SURFACE
•SEE ENTRANCE SCHEDULE
FOR QUANTITY.

NOTES

1. IF EXISTING SUBBASE IS INADEQUATE, AS DETERMINED BY THE ENGINEER, THE SIDE ROADS SHALL BE CORED OUT AND AGGREGATE SUBBASE, TYPE B SHALL BE PLACED FOR BASE. THE COST OF CORING OUT THE SIDE ROAD AND ANY AGGREGATE BASE COURSE SHALL BE PAID FOR AS SPECIFIED IN ART. 109.04 OF THE STANDARD SPECIFICATIONS FOR ROAD AND BRIDGE CONSTRUCTION. IF EXISTING SUBBASE IS DETERMINED TO BE ADEQUATE, THE PREPARATION OF THE BASE SHALL BE CONSTRUCTED ACCORDING TO ARTICLE 406.19.
2. VARIABLE SHAPING IS INCLUDED IN THE COST OF INCIDENTAL BITUMINOUS SURFACE.

ENTRANCE SCHEDULE

TYPE	NUMBER OF ENTRANCES
P.E.	89
C.E.	4
S.R.	11



SIDE ROAD SEC. B-B
EX. OIL & CHIP SURFACE
(SEE NOTE 1)