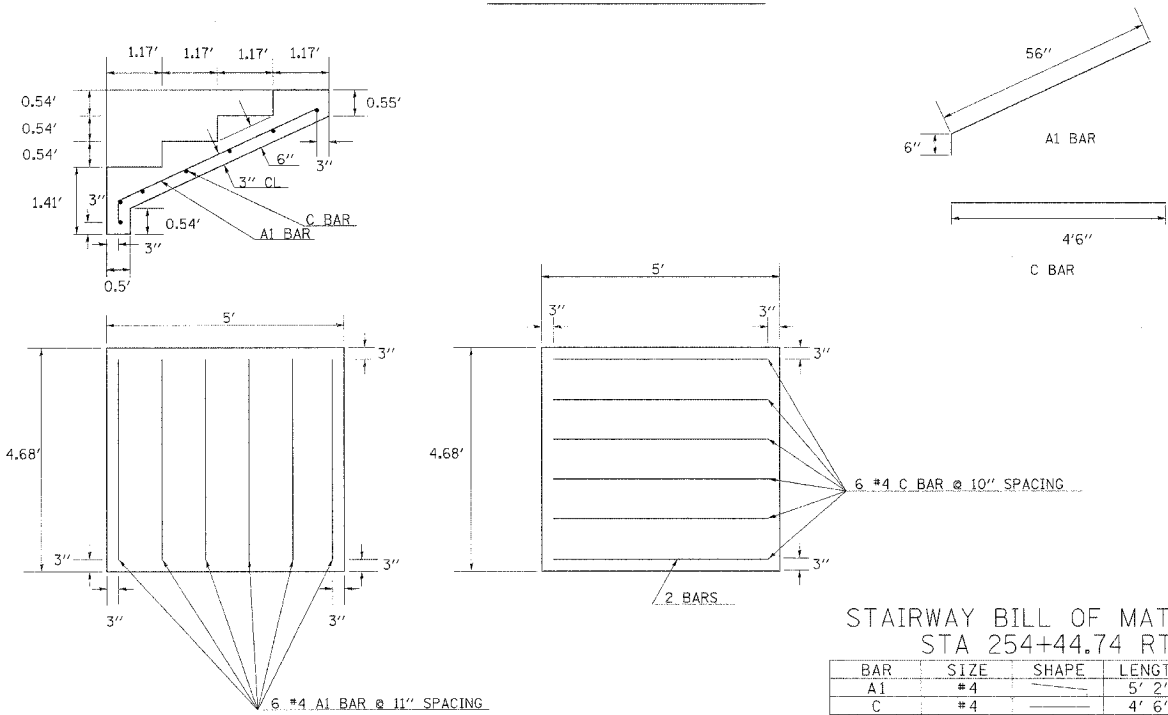


F.A.P. RTE.	SECTION	COUNTY	TOTAL SHEETS	SHEET NO.
726	130 RS-2	WILLIAMSON	58	29
STA.		TO STA.		
FED. ROAD DIST. NO.	ILLINOIS	FED. AID PROJECT		

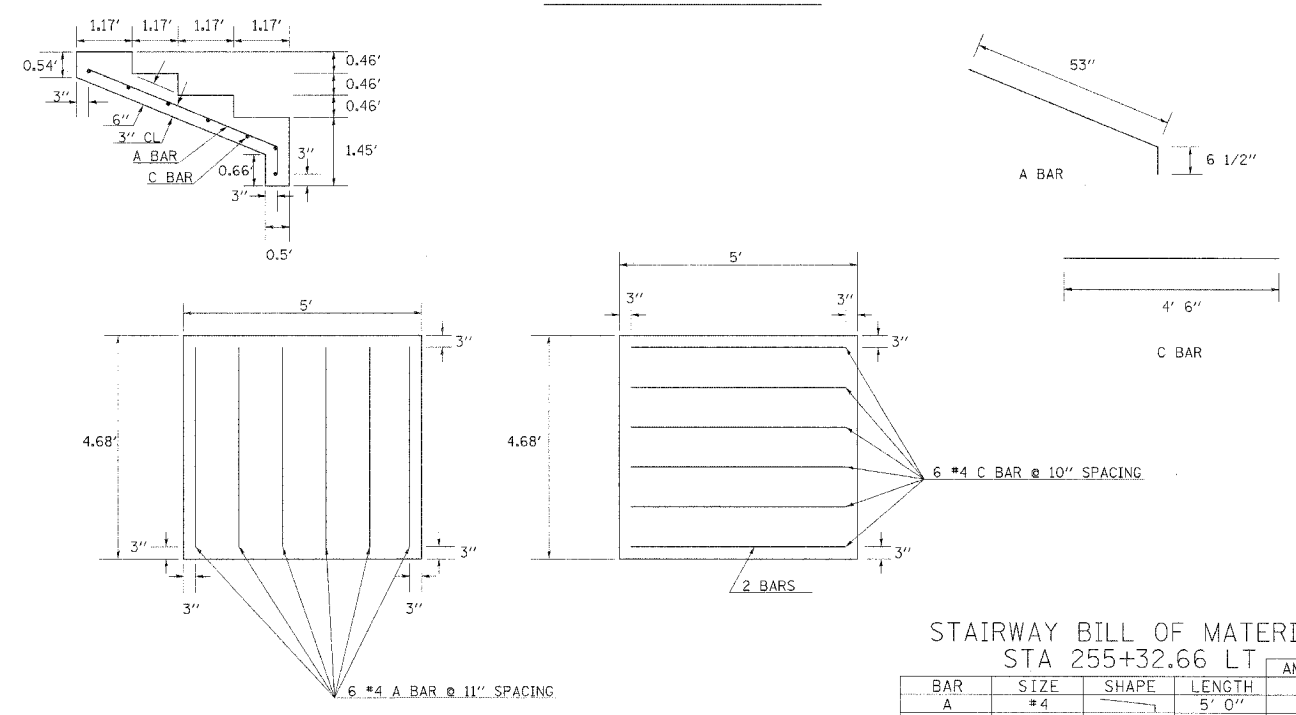
254+44.74 RT



STAIRWAY BILL OF MATERIAL
STA 254+44.74 RT

BAR	SIZE	SHAPE	LENGTH	AMOUNT
A1	#4		5' 2"	21
C	#4		4' 6"	21
CONC. STRUCTURES			CU. YDS.	0.8
REINF. BARS			LBS.	42

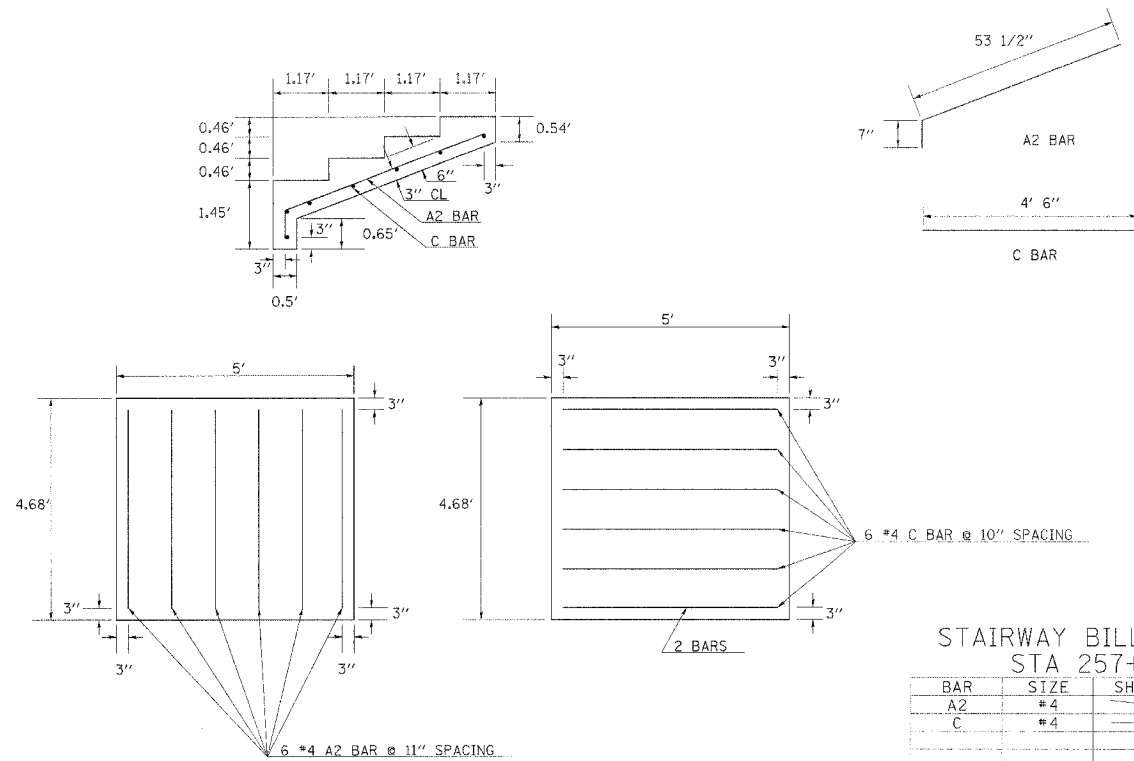
255+32.66 LT



STAIRWAY BILL OF MATERIAL
STA 255+32.66 LT

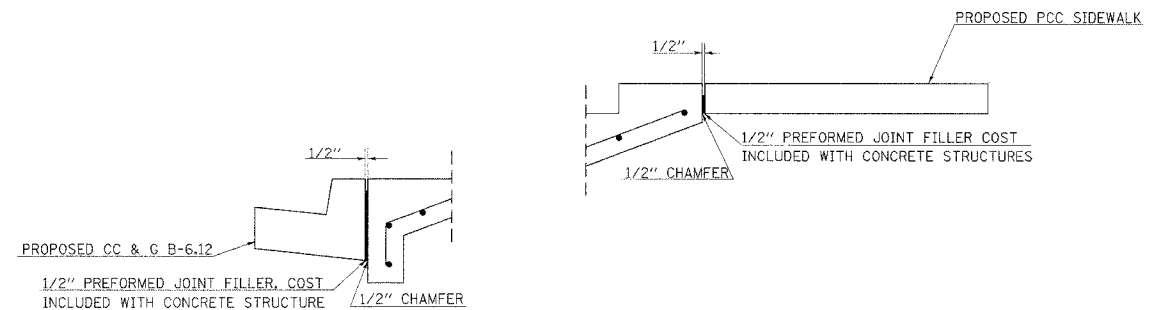
BAR	SIZE	SHAPE	LENGTH	AMOUNT
A	#4		5' 0"	20
C	#4		4' 6"	21
CONC. STRUCTURES			CU. YDS.	0.7
REINF. BARS			LBS.	41

257+03.70 RT



STAIRWAY BILL OF MATERIAL
STA 257+03.70 RT

BAR	SIZE	SHAPE	LENGTH	AMOUNT
A2	#4		5' 1"	21
C	#4		4' 6"	21
CONC. STRUCTURES			CU. YDS.	0.7
REINF. BARS			LBS.	42



TO BE USED AT ALL LOCATIONS

PLOT DATE = 2/16/2006
FILE NAME = c:\projects\98912\98912.dwg
PLOT SCALE = 50/2000 = 1/40
USER NAME = cshibang