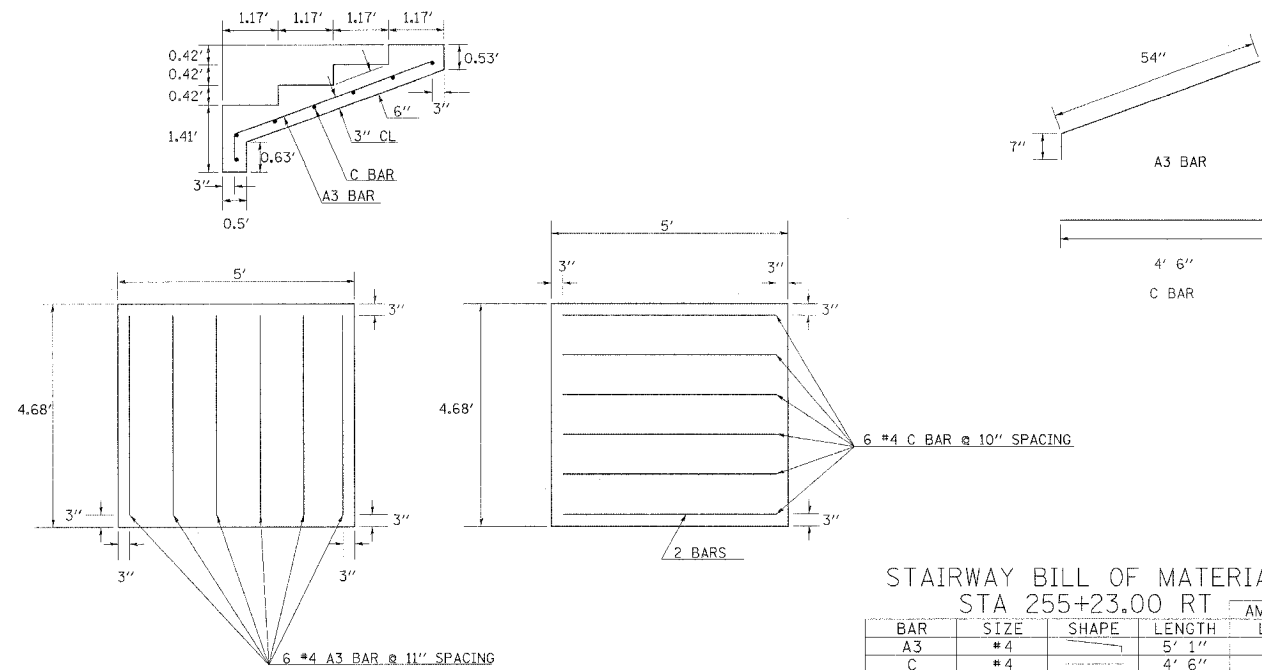


F.A.P. RTE.	SECTION	COUNTY	TOTAL SHEETS	SHEET NO.
726	130 RS-2	WILLIAMSON	58	30
STA.		TO STA.		
FED. ROAD DIST. NO.		ILLINOIS FED. AID PROJECT		

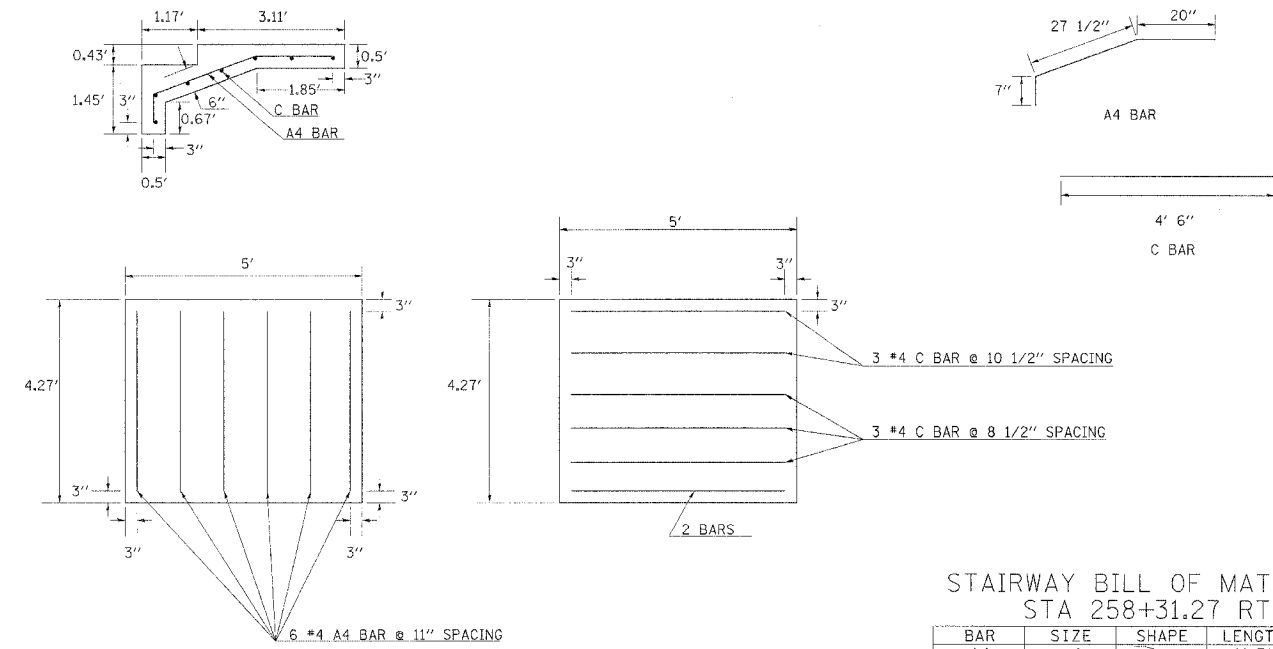
255+23.00 RT



STAIRWAY BILL OF MATERIAL  
STA 255+23.00 RT

BAR	SIZE	SHAPE	LENGTH	AMOUNT
A3	#4		5' 1"	21
C	#4		4' 6"	21
CONC. STRUCTURES			CU. YDS.	0.7
REINF. BARS			LBS.	42

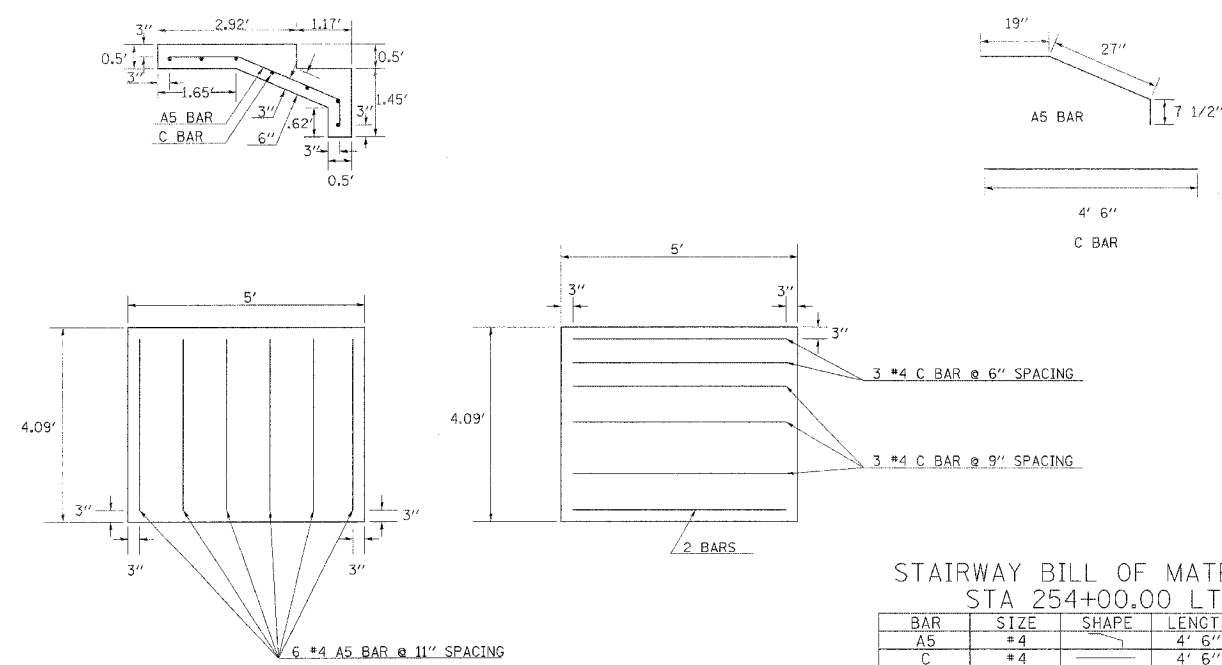
258+31.27 RT



STAIRWAY BILL OF MATERIAL  
STA 258+31.27 RT

BAR	SIZE	SHAPE	LENGTH	AMOUNT
A4	#4		4' 7"	19
C	#4		4' 6"	21
CONC. STRUCTURES			CU. YDS.	0.6
REINF. BARS			LBS.	40

254+00.00 LT



STAIRWAY BILL OF MATERIAL  
STA 254+00.00 LT

BAR	SIZE	SHAPE	LENGTH	AMOUNT
A5	#4		4' 6"	19
C	#4		4' 6"	22
CONC. STRUCTURES			CU. YDS.	0.6
REINF. BARS			LBS.	41

PLOT DATE = 2/15/2006  
 FILE NAME = c:\arc\pca\98912\98912.dwg  
 PLOT SCALE = 1/8" = 1'-0"  
 USER NAME = car-lacne.j