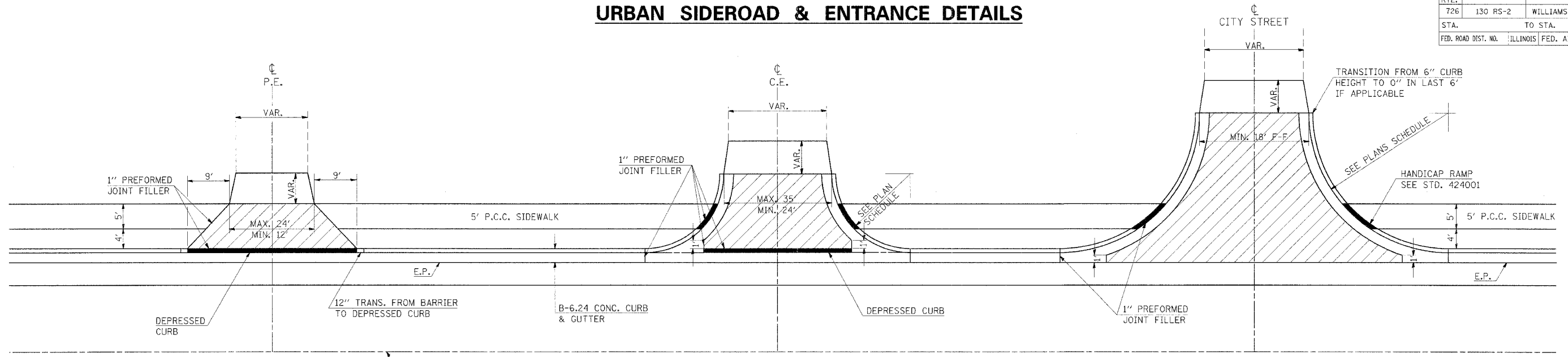


URBAN SIDEROAD & ENTRANCE DETAILS

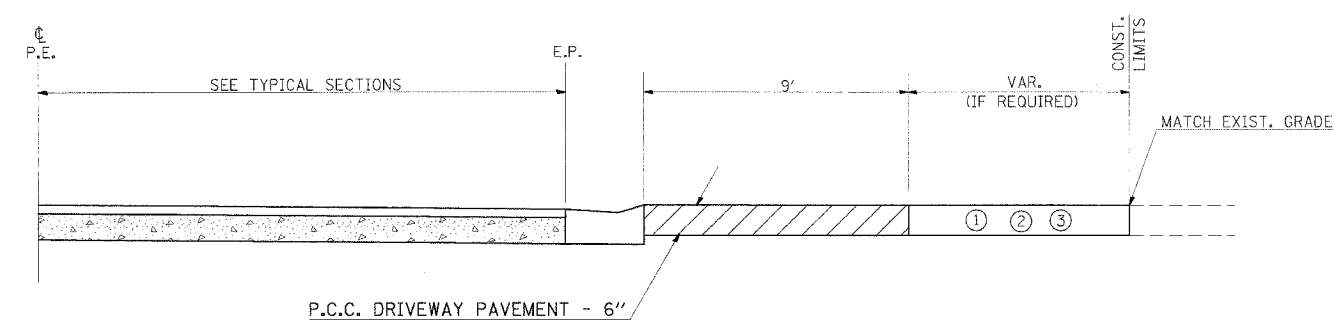
CONTRACT NO. 98912			
F.A.P. RTE.	SECTION	COUNTY	TOTAL SHEET SHEETS NO.
726	130 RS-2	WILLIAMSON	58 33
STA.		TO STA.	
FED. ROAD DIST. NO.		ILLINOIS FED. AID PROJECT	



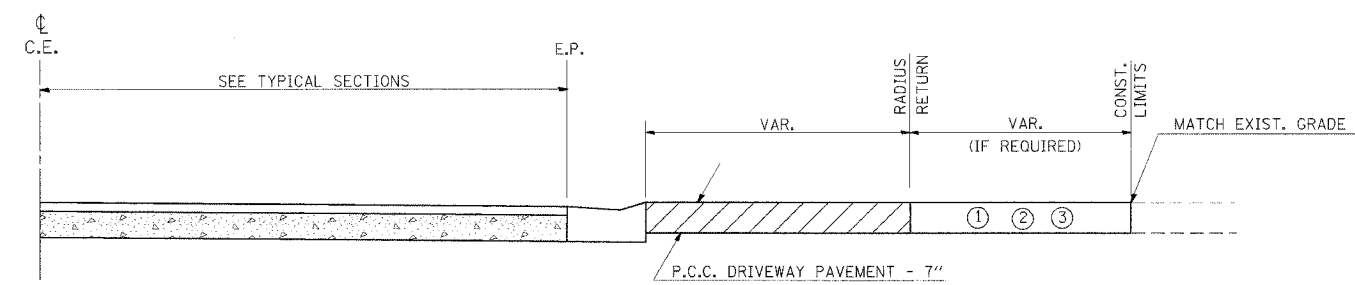
DETAILS PRIVATE ENTRANCE

DETAILS COMMERCIAL ENTRANCE

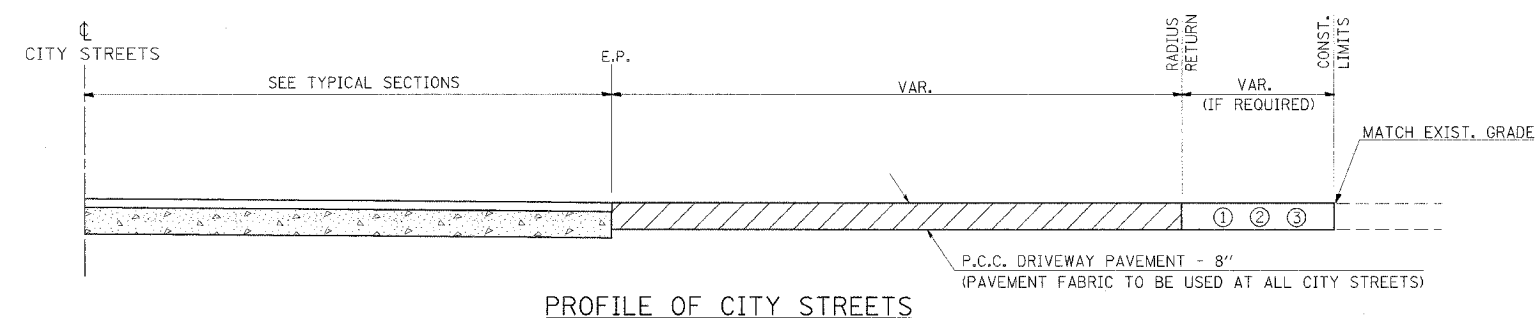
DETAILS CITY STREETS



PROFILE OF PRIVATE ENTRANCES



PROFILE OF COMMERCIAL ENTRANCES



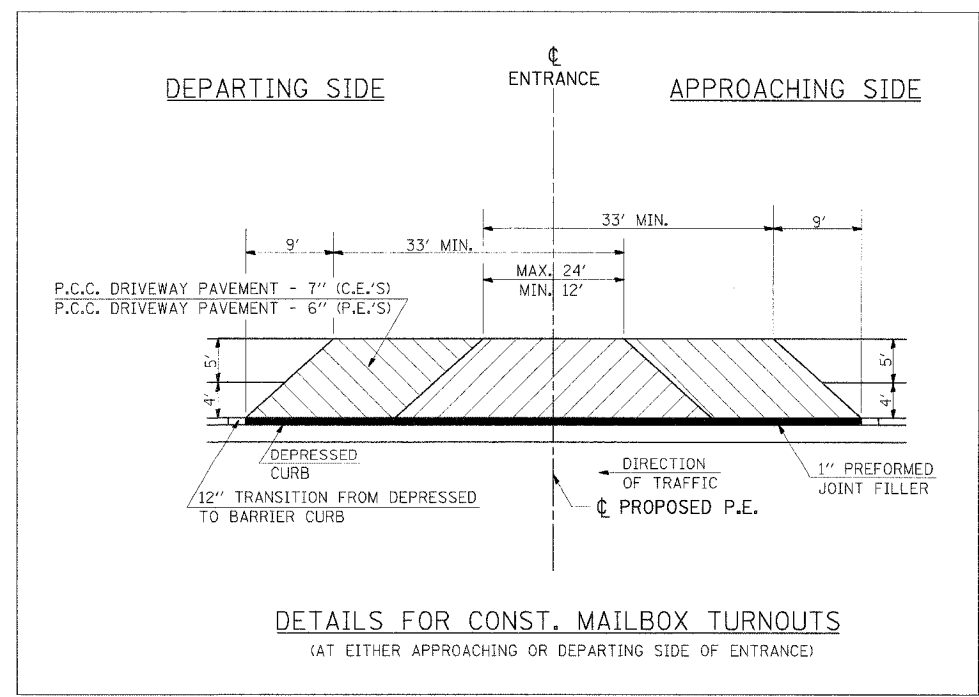
PROFILE OF CITY STREETS

GENERAL NOTES

- SEE PLAN SCHEDULES FOR DIMENSIONS AND QUANTITIES.
- SEE CROSS SECTIONS FOR PROPOSED PROFILE OF SIDEROAD AND ENTRANCES.
- IN GENERAL, WIDTH TRANSITION TAPER RATES ARE TO BE 5:1 FOR ENTRANCES, AND 10:1 FOR CITY STREETS.
- THE SAWING OF ALL JOINTS IN PCC DRIVEWAY PAVEMENT AT ALL LOCATIONS DESIGNATED BY THE ENGINEER, SHALL BE CONSIDERED INCIDENTAL TO THE COST OF THE PCC DRIVEWAY PAVEMENT.

LEGEND

- EXISTING AGGREGATE SURFACE:
CONSTRUCT AGGREGATE SURFACE CSE, TYPE A WEDGE TO MATCH EXISTING GRADE. USE 6" MIN. (8" MIN. FOR CITY STREETS) THICKNESS FOR ANY REQUIRED WIDENING.
- EXISTING BITUMINOUS SURFACE:
USE 2" MIN. BITUMINOUS RESURFACING ON 4" MIN. (6" MIN. FOR CITY STREETS) AGGREGATE BASE COURSE.
- EXISTING CONCRETE SURFACE:
P.C.C. DRIVEWAY PAVEMENT 6" P.E.'S
P.C.C. DRIVEWAY PAVEMENT 7" C.E.'S
P.C.C. DRIVEWAY PAVEMENT 8" CITY STREETS



DETAILS FOR CONST. MAILBOX TURNOUTS
(AT EITHER APPROACHING OR DEPARTING SIDE OF ENTRANCE)

PLOT DATE = 2/18/2005
 FILE NAME = c:\pcc\pcc\98912\98912.dwg
 PLOT SCALE = 50.00000 / IN.
 USER NAME = csp\lorne

REVISIONS	DRAWN	10-22-90
	REVISED	9-8-91
	REVISED	10-21-91