

F.A.P. RTE.	SECTION	COUNTY	TOTAL SHEETS	SHEET NO.
(1)	(2)	(3)	5	1

- (1) FAP 778, FAP 885, TR-2
FAP 782, FAS 893
- (2) FY-06 FLASHING BEACONS
- (3) HARDIN & GALLATIN

STATE OF ILLINOIS
DEPARTMENT OF TRANSPORTATION
DIVISION OF HIGHWAYS

PROPOSED
HIGHWAY PLANS

FLASHING BEACONS
FAP 778, FAP 782 (IL ROUTE 34, IL ROUTE 1)

SECTION D-9 FY-06 FLASHING BEACONS
PROJECT NO: HS-0005(480)
C-99-038-06

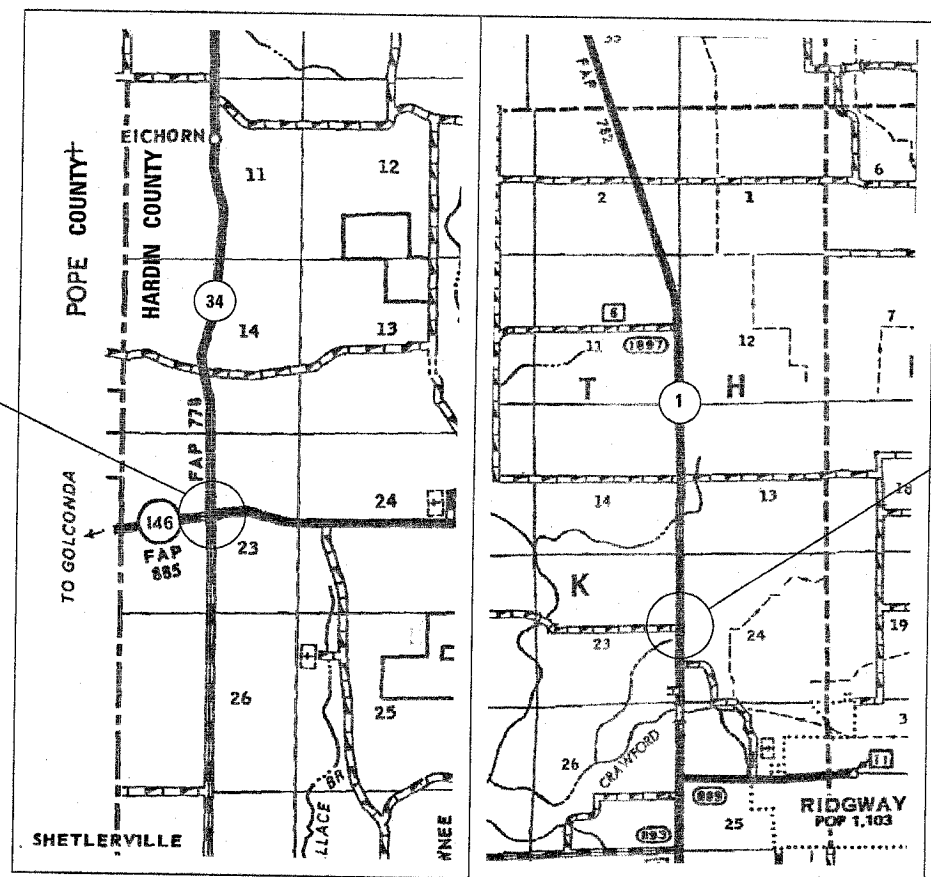
FOR INDEX OF SHEETS, SEE SHEET NO. 2
FOR SUMMARY OF QUANTITIES, SEE SHEET NO. 2

LOCATIONS:

- 1. ILLINOIS 34/ILLINOIS 146 AND SHETLerville ROAD
- 2. ILLINOIS 1 AND ELDORADO BLACKTOP ROAD



	ADT(YEAR)	% TRUCKS
ILLINOIS 1	2001(2003)	19%
ELDORADO BLACKTOP	1050(2003)	NA
ILLINOIS 146	1250(2003)	6%
ILLINOIS 34/SHETLerville RD.	2450(2003)	25%



LOCATION 1 - HARDIN COUNTY
FAP 778(IL 34) AND FAP 885(IL 146)

LOCATION 2 - GALLATIN COUNTY
FAP 782(IL 1) AND FAS 893(ELDORADO BLACKTOP ROAD)



FULL SIZE PLANS HAVE BEEN PREPARED USING STANDARD ENGINEERING SCALES. REDUCED SIZED PLANS WILL NOT CONFORM TO STANDARD SCALES. IN MAKING MEASUREMENTS ON REDUCED PLANS, THE ABOVE SCALES MAY BE USED.

J.U.L.I.E.
JOINT UTILITY LOCATION INFORMATION FOR EXCAVATION
1-800-892-0123

NORTH FORK AND STONE CHURCH TOWNSHIPS
CONTRACT NO. 98915

STATE OF ILLINOIS
DEPARTMENT OF TRANSPORTATION
DIVISION OF HIGHWAYS

SUBMITTED Feb 15 20 06

Mary C. Sanie
DEPUTY DIRECTOR OF HIGHWAYS, REGION ENGINEER

March 24, 2006
Mike Wine
ENGINEER OF DESIGN AND ENVIRONMENT

March 24, 2006
Milton R. Sore
DIRECTOR OF HIGHWAYS, CHIEF ENGINEER

PRINTED BY THE AUTHORITY
OF THE STATE OF ILLINOIS

PROJECT ENGINEER: SUSAN POE (618) 549-2171
DESIGNER: CHRIS RUSSELL c:\projects\0902205\0902205.m32

F.A.P. RTE.	SECTION	COUNTY	TOTAL SHEETS	SHEET NO.
(1)	(2)	(3)	5	2
FED. ROAD DIST. NO.		ILLINOIS	FED. AID PROJECT	

(1) FAP 778, FAP 885, TR-2
FAP 782, FAS 893
(2) FY-06 FLASHING BEACONS
(3) HARDIN & GALLATIN

SUMMARY OF QUANTITIES

CODE NUMBER	ITEM	CONSTRUCTION TYPE CODE		HARDIN CO.	GALLATIN CO.
		UNIT	TOTAL QUANTITIES	Y031-1F	
				HES SAFETY 90% FEDERAL 10% STATE RURAL	RURAL
		LOCATION 1	LOCATION 2		
		IL 146/IL 34-SHETLERVILLE ROAD	ILLINOIS 1 - ELDORADO BLACKTOP ROAD		
X0323336	LED SIGNAL FACE RETROFIT, RED BALL	EACH	1	1	0
X8801100	SIGNAL HEAD, POLYCARBONATE, LED, 1-FACE, 1-SECTION, POST MOUNTED	EACH	3	1	2
44002020	MEDIAN SURFACE REMOVAL	SQFT	75	75	0
60618300	CONCRETE MEDIAN SURFACE, 4"	SQFT	75	75	0
67100100	MOBILIZATION	L SUM	1	0.5	0.5
70100450	TRAFFIC CONTROL AND PROTECTION, STANDARD 701201	L SUM	1	0.5	0.5
80500100	SERVICE INSTALLATION, TYPE A	EACH	1	0	1
81012500	CONDUIT IN TRENCH, 1-1/2" DIA., PVC	FOOT	191	191	0
81012600	CONDUIT IN TRENCH, 2" DIA., PVC	FOOT	51	0	51
81021540	CONDUIT, AUGERED, 1-1/2" DIA., PVC	FOOT	87	87	0
81021550	CONDUIT, AUGERED, 2" DIA., PVC	FOOT	24	0	24
81100500	CONDUIT ATTACHED TO STRUCTURE, 1 1/2" DIA., GALVANIZED STEEL	FOOT	39	16	23
81500200	TRENCH AND BACKFILL FOR ELECTRICAL WORK	FOOT	242	191	51
86600010	GULFBOX JUNCTION	EACH	5	3	2
87300215	ELECTRIC CABLE IN CONDUIT, SIGNAL NO. 14 2C	FOOT	446	295	151

INDEX OF SHEETS

SHEET NUMBER	DESCRIPTION
1	COVER SHEET
2	SUMMARY OF QUANTITIES, GENERAL NOTES, INDEX OF SHEETS & STANDARDS
3	FLASHING BEACONS PLAN - IL 146/IL 34 AND SHETLERVILLE ROAD
4	FLASHING BEACON PLAN - ILLINOIS 11 AND ELDORADO BLACKTOP ROAD
5	DETAIL - FLASHING BEACON

GENERAL NOTES

CABLE QUANTITIES ARE MEASURED IN PLAN VIEW.

THE EXISTING ROAD SIGNS THAT INTERFERE WITH CONSTRUCTION WILL BE REMOVED OR RELOCATED AS DIRECTED BY THE ENGINEER ACCORDING TO ARTICLE 107.25 OF THE STANDARD SPECIFICATIONS. AFTER THE CONSTRUCTION IS COMPLETED, THE CONTRACTOR WILL RE-ERECT THE SIGNS AS DIRECTED BY THE ENGINEER. THIS WORK WILL NOT BE PAID FOR SEPARATELY BUT SHALL BE CONSIDERED INCIDENTAL TO THE CONTRACT AND NO COMPENSATION WILL BE ALLOWED.

ALL MATERIALS, EQUIPMENT AND LABOR NECESSARY FOR CLASS 2 SEEDING SHALL BE CONSIDERED INCIDENTAL TO THE TRENCHING REQUIRED TO PLACE THE SIGNAL CABLE.

STANDARDS

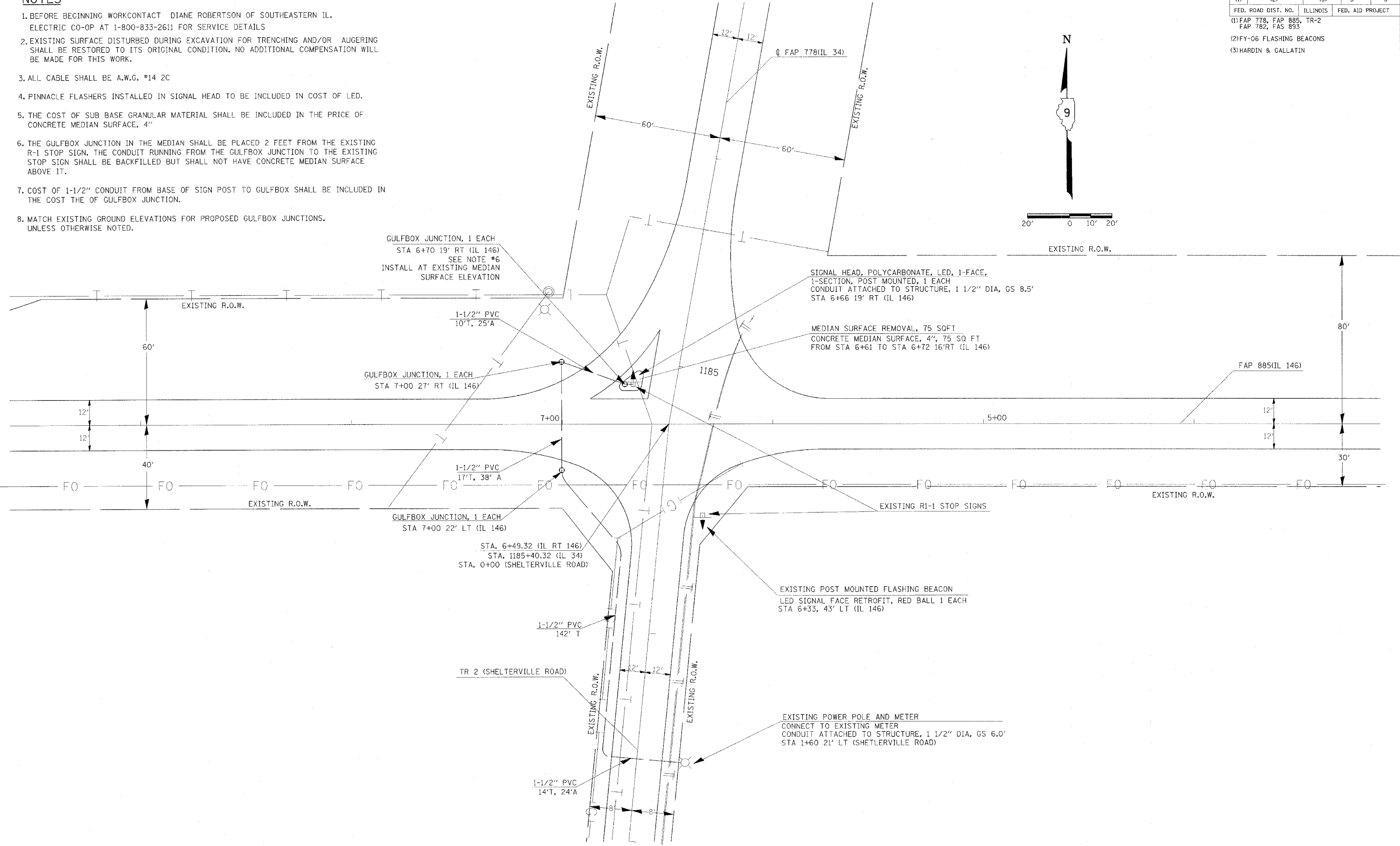
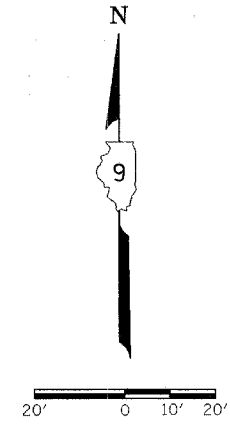
000001-04	STANDARD SYMBOLS, ABBREVIATIONS & PATTERNS
001006	DECIMAL OF AN INCH AND OF A FOOT
701001-01	OFF-ROAD OPERATIONS 2L, 2W, MORE THAN 4.5M (15') AWAY
701006-02	OFF-ROAD OPERATIONS 2L, 2W, 4.5 M (15') TO 600 MM (24") FROM PAVEMENT EDGE
701201-02	LANE CLOSURE, 2L, 2W, DAY ONLY, FOR SPEEDS EQUAL TO OR GREATER THAN 45 MPH
702001-06	TRAFFIC CONTROL DEVICES
805001	ELECTRICAL SERVICE INSTALLATION DETAILS
813001-01	JUNCTION BOXES
873001	TRAFFIC SIGNAL GROUNDING

Prepared By:	<i>Joe Beland-Kinney</i> DISTRICT STUDIES & PLANS ENGINEER
Examined By:	<i>James Travis Emery</i> DISTRICT LAND ACQUISITION ENGINEER
Examined By:	<i>Carrie Nelson</i> DISTRICT PROGRAM DEVELOPMENT ENGINEER
Examined By:	<i>Jim Swintlow</i> DISTRICT OPERATIONS ENGINEER
Examined By:	<i>Joseph Lewis</i> DISTRICT CONSTRUCTION ENGINEER
Examined By:	<i>Bruce W. Dales</i> DISTRICT MATERIALS ENGINEER
Examined By:	<i>Samuel J. [Signature]</i> DISTRICT PROJECT IMPLEMENTATION ENGINEER
Approved By:	<i>Harry C. Samie</i> DEPUTY DIRECTOR OF HIGHWAYS, REGION ENGINEER Feb 15 20 06 DATE

F.A.P. RTE.	SECTION	COUNTY	TOTAL SHEETS	SHEET NO
(1)	(2)	(3)	5	3
FED. ROAD DIST. NO.		ILLINOIS	FED. AID PROJECT	
(1) FAP 778, FAP 885, TR-2 FAP 782, FAS 893				
(2) FY-06 FLASHING BEACONS				
(3) HARDIN & GALLATIN				

NOTES

- BEFORE BEGINNING WORK CONTACT DIANE ROBERTSON OF SOUTHEASTERN IL. ELECTRIC CO-OP AT 1-800-833-2611 FOR SERVICE DETAILS
- EXISTING SURFACE DISTURBED DURING EXCAVATION FOR TRENCHING AND/OR AUGERING SHALL BE RESTORED TO ITS ORIGINAL CONDITION. NO ADDITIONAL COMPENSATION WILL BE MADE FOR THIS WORK.
- ALL CABLE SHALL BE A.W.G. #14 2C
- PINNACLE FLASHERS INSTALLED IN SIGNAL HEAD TO BE INCLUDED IN COST OF LED.
- THE COST OF SUB BASE GRANULAR MATERIAL SHALL BE INCLUDED IN THE PRICE OF CONCRETE MEDIAN SURFACE, 4"
- THE GULFBOX JUNCTION IN THE MEDIAN SHALL BE PLACED 2 FEET FROM THE EXISTING R-1 STOP SIGN. THE CONDUIT RUNNING FROM THE GULFBOX JUNCTION TO THE EXISTING STOP SIGN SHALL BE BACKFILLED BUT SHALL NOT HAVE CONCRETE MEDIAN SURFACE ABOVE IT.
- COST OF 1-1/2" CONDUIT FROM BASE OF SIGN POST TO GULFBOX SHALL BE INCLUDED IN THE COST THE OF GULFBOX JUNCTION.
- MATCH EXISTING GROUND ELEVATIONS FOR PROPOSED GULFBOX JUNCTIONS. UNLESS OTHERWISE NOTED.



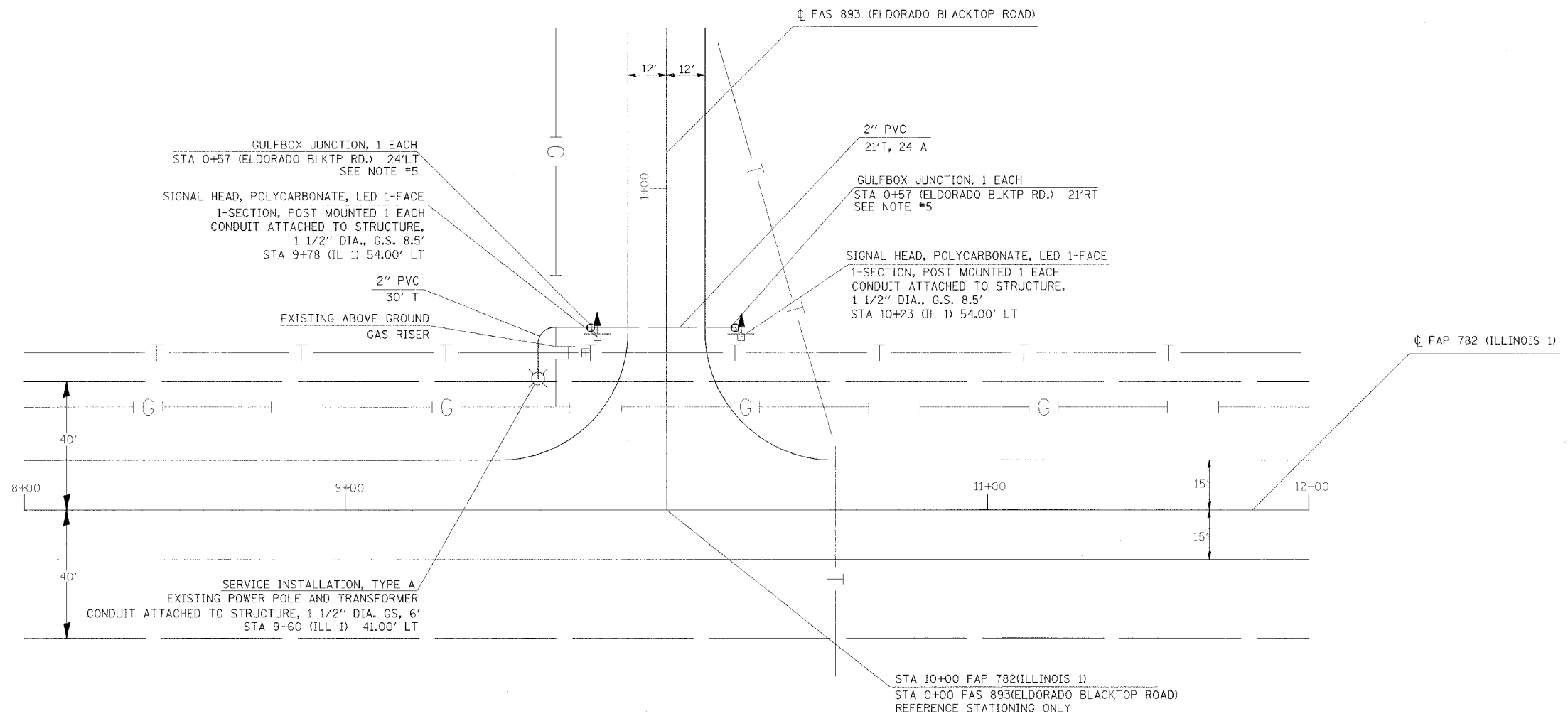
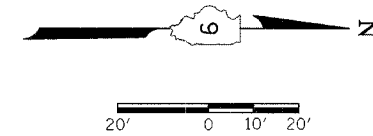
DATE: TIME: DGN: SREB

LOCATION 1 - IL 146 /IL 34-SHETLerville ROAD FLASHING BEACON PLAN

F.A.P. RTE.	SECTION	COUNTY	TOTAL SHEETS	SHEET NO.
(1)	(2)	(3)	5	4
FED. ROAD DIST. NO.		ILLINOIS	FED. AID PROJECT	
(1) FAP 778, FAP 885, TR-2 FAP 782, FAS 893				
(2) FY-06 FLASHING BEACONS				
(3) HARDIN & GALLATIN				

NOTES

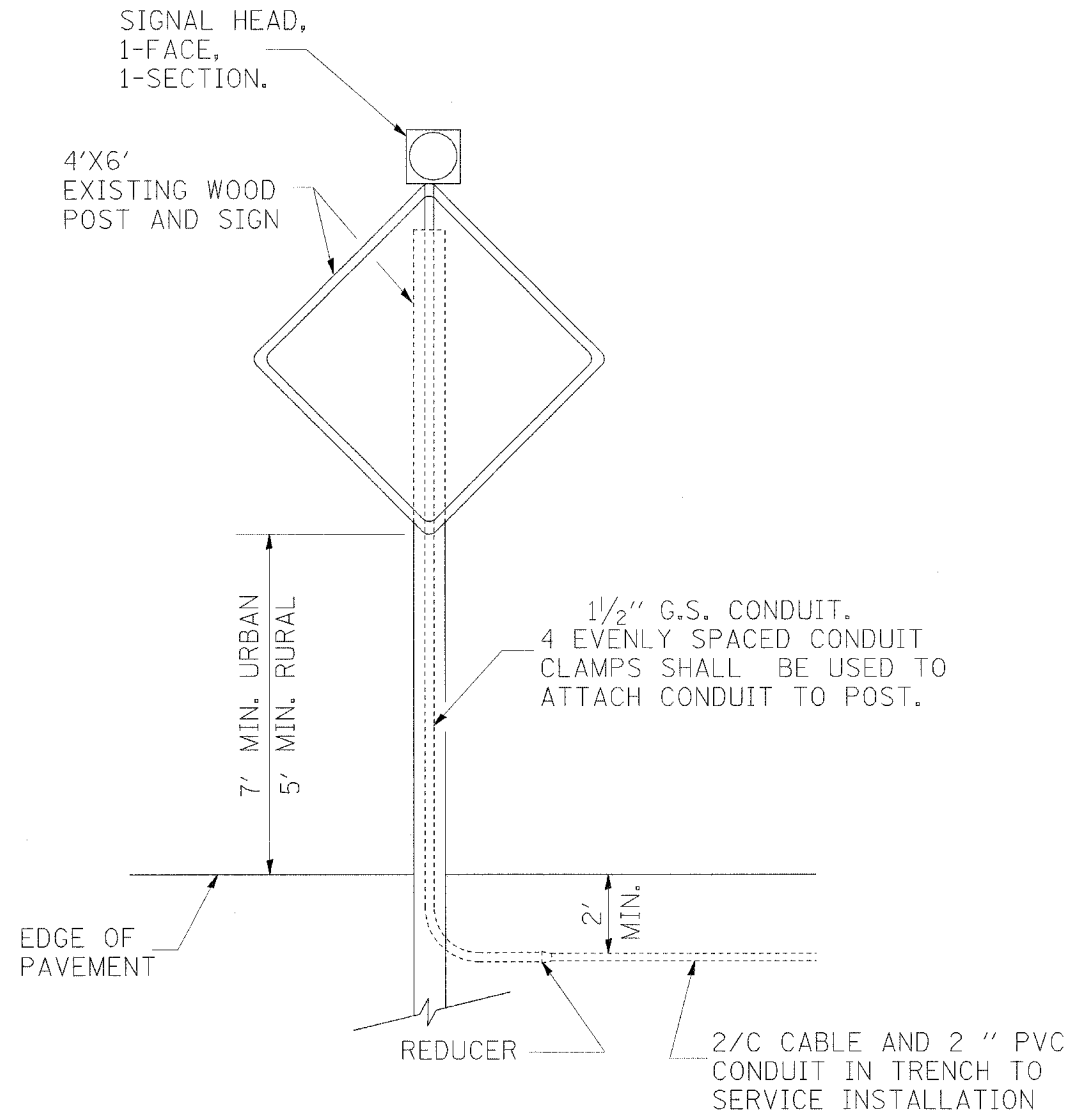
1. INSTALL A 30 AMP, METERED SERVICE.
CONTACT DIANE ROBERTSON OF SOUTHEASTERN IL. ELECTRIC CO-OP AT 1-800-833-2611 FOR SERVICE DETAILS BEFORE BEGINNING WORK.
2. EXISTING SURFACE DISTURBED DURING EXCAVATION FOR TRENCHING AND/OR AUGERING SHALL BE RESTORED TO ITS ORIGINAL CONDITION. NO ADDITIONAL COMPENSATION WILL BE MADE FOR THIS WORK.
3. ALL CABLE SHALL BE A.W.G. #14 2C
4. PINNACLE FLASHERS INSTALLED IN SIGNAL HEAD TO BE INCLUDED IN COST OF LED.
5. THE GULFBOX JUNCTION SHALL BE INSTALLED 2 FEET FROM EXISTING R-1 STOP SIGN
6. A SEPERATE CABLE SHALL BE RUN TO EACH SIGNAL HEAD, NO SPLICING SHALL BE ALLOWED
7. COST OF 1-1/2" CONDUIT FROM BASE OF SIGN POST TO GULFBOX SHALL BE INCLUDED IN THE COST THE OF GULFBOX JUNCTION.
8. MATCH EXISTING GROUND ELEVATIONS FOR PROPOSED GULFBOX JUNCTIONS, UNLESS OTHERWISE NOTED.



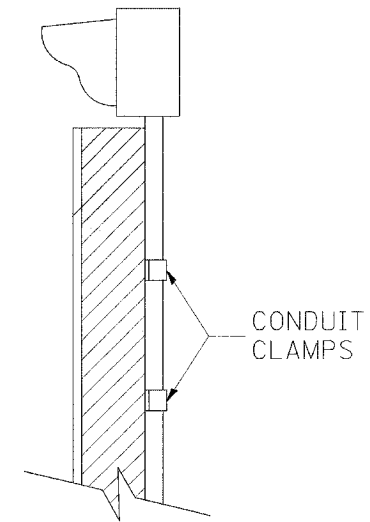
F.A. RTE.	SECTION	COUNTY	TOTAL SHEETS	SHEET NO.
(1)	(2)	(3)	5	5
STA.		TO STA.		
FED. ROAD DIST. NO.		ILLINOIS FED. AID PROJECT		

(1) FAP 778, FAP 885, TR-2
 FAP 782, FAS 893
 (2) FY-06 FLASHING BEACONS
 (3) HARDIN & GALLATIN

FLASHING BEACON DETAIL



POST MOUNTED FLASHING BEACON



MOUNTING DETAIL