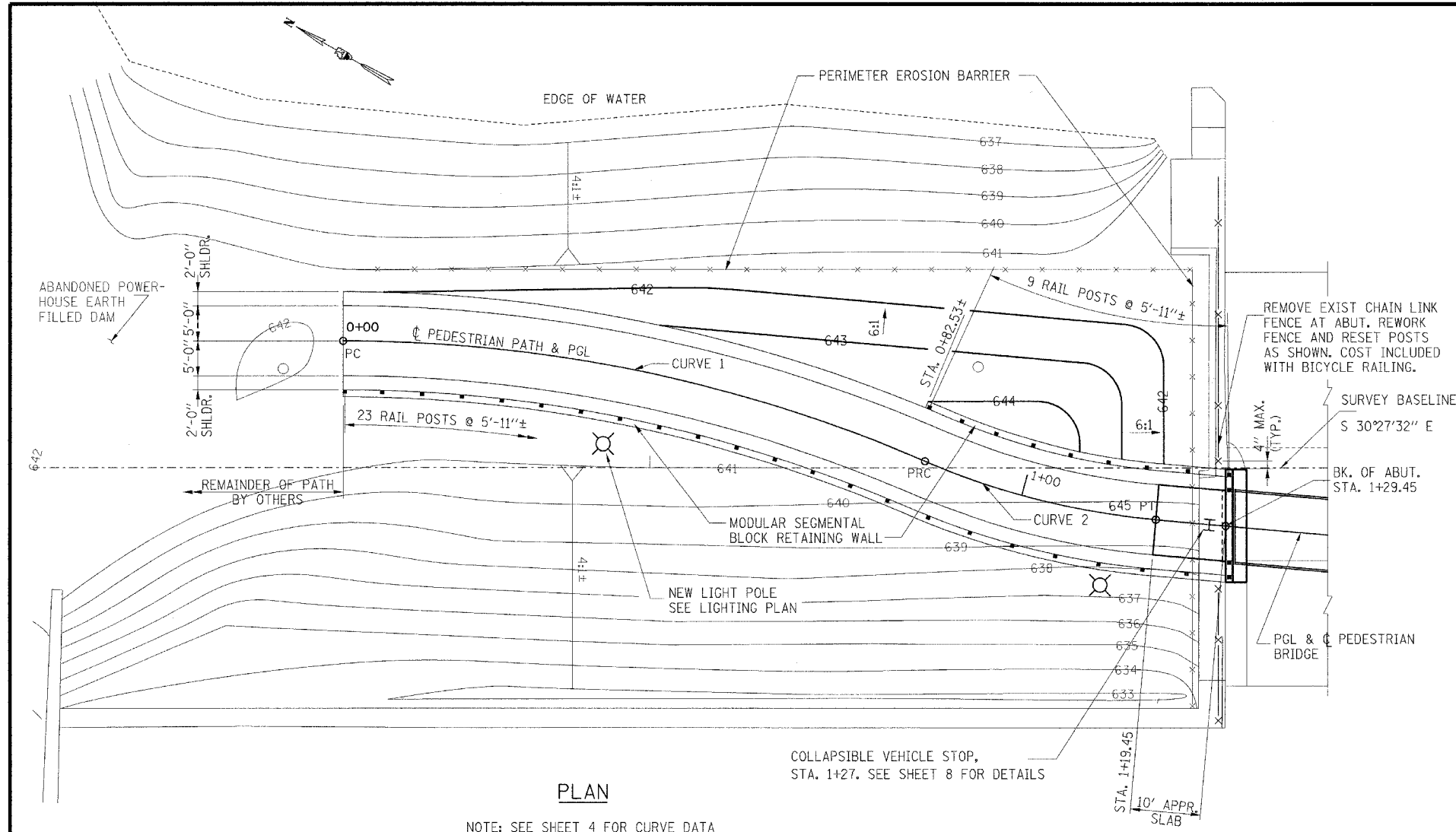


O:\0wrProj\proj\Projects\Sinnissippi_FR-420\Plans\North Abutment Approach Details I.dgn

01/15/21 PM

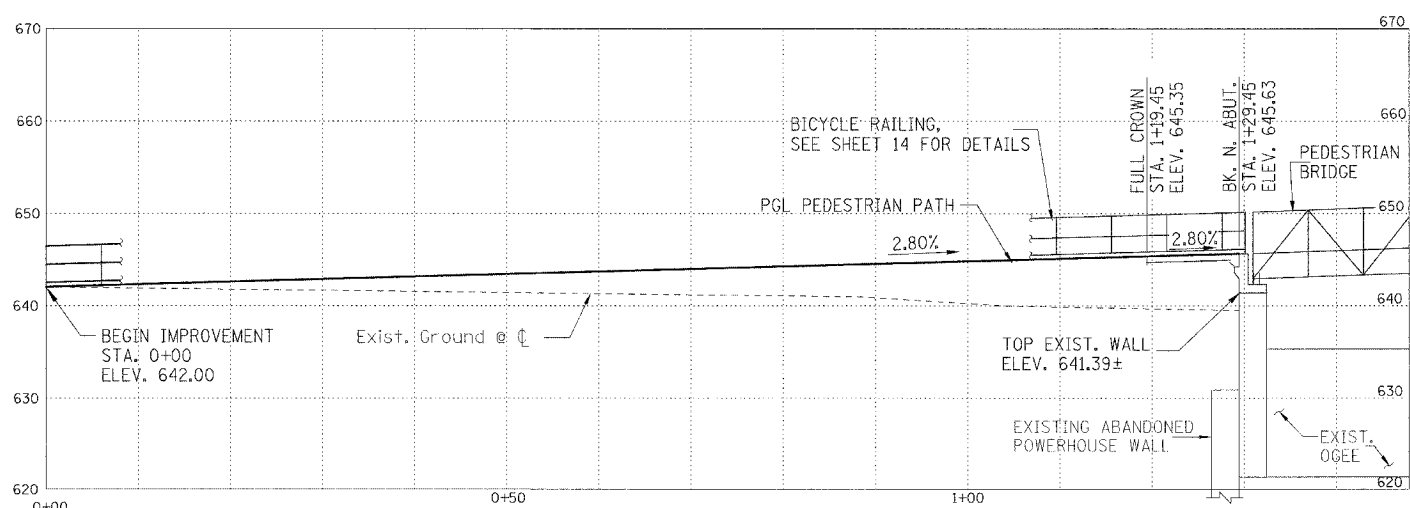
03/24/2006

Designed By: TMM Checked By: RLP
Drawn By: JUF Checked By: TMM



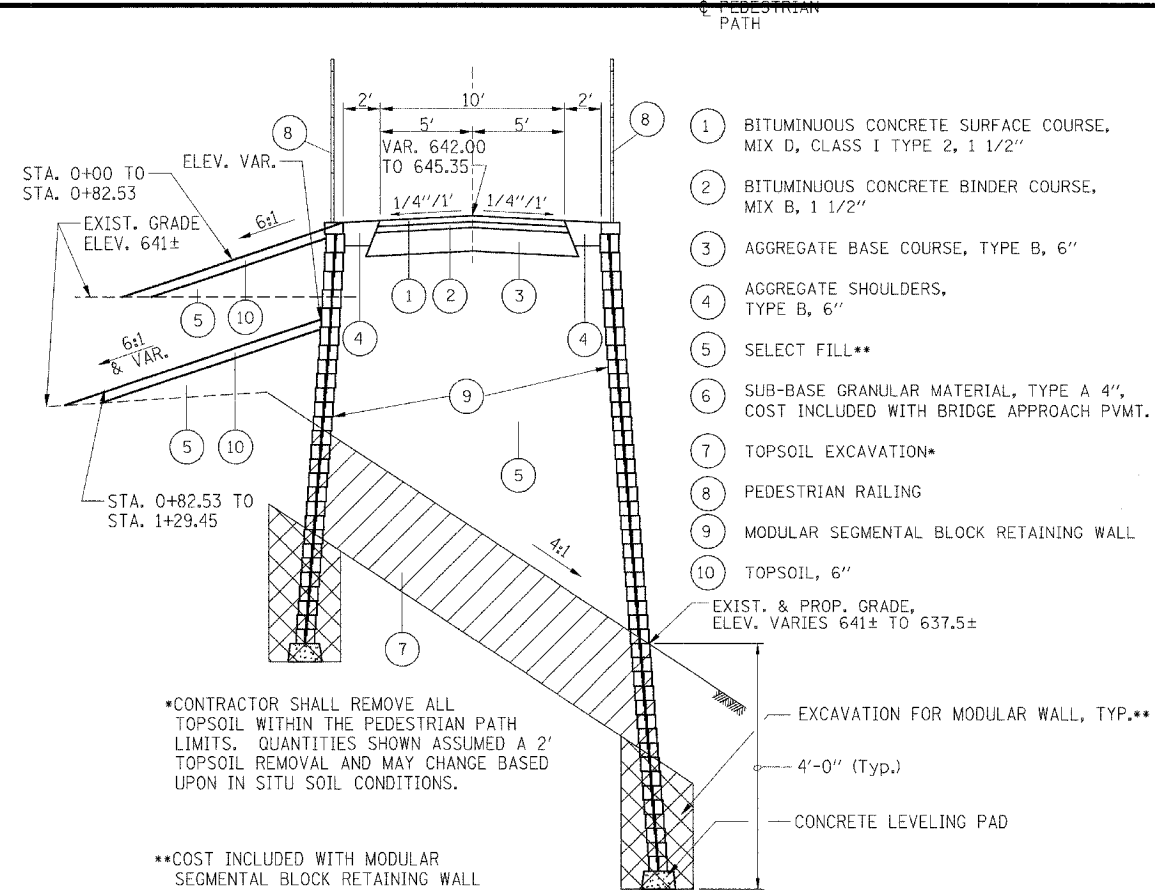
PLAN

NOTE: SEE SHEET 4 FOR CURVE DATA



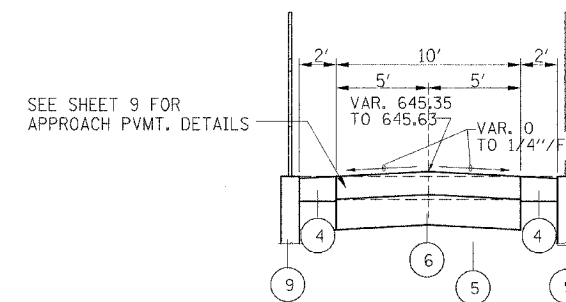
PEDESTRIAN PATH PROFILE

(Refer to sheet 8 for elevations of Left & Right walls)



TYPICAL SECTION - PEDESTRIAN PATH

NOTE:
WALL CONSTRUCTION, SOIL REINFORCEMENT, AND WALL DRAINAGE SYSTEM PER MANUFACTURER'S RECOMMENDATIONS. CONTRACTOR SHALL SUBMIT WALL DESIGN FOR APPROVAL.



SECTION THRU APPROACH SLAB

NOTE: TRANSITION APPROACH SLAB FROM FULL CROWN AT STA. 1+19.45 TO FLAT AT BK. OF ABUT.

BILL OF MATERIAL

BITUMINOUS CONCRETE SURFACE COURSE, MIXTURE D, CLASS I TYPE 2	TON	11
BITUMINOUS CONCRETE BINDER COURSE, MIXTURE B, CLASS I TYPE 2	TON	11
BITUMINOUS MATERIALS (PRIME COAT)	GAL	52
AGGREGATE BASE COURSE, TYPE B 6"	SQ YD	146
AGGREGATE SHOULDERS, TYPE B 6"	SQ YD	51
BRIDGE APPROACH PAVEMENT (SPECIAL)	SQ YD	11
BICYCLE RAILING	FOOT	181
PERIMETER EROSION BARRIER	FOOT	184
COLLAPSIBLE VEHICLE STOP	EACH	1
MODULAR SEGMENTAL BLOCK RETAINING WALL	SQ FT	1,070
TOPSOIL EXCAVATION AND PLACEMENT	CU YD	158
SEEDING, MULCHING AND FERTILIZING	ACRE	0.1