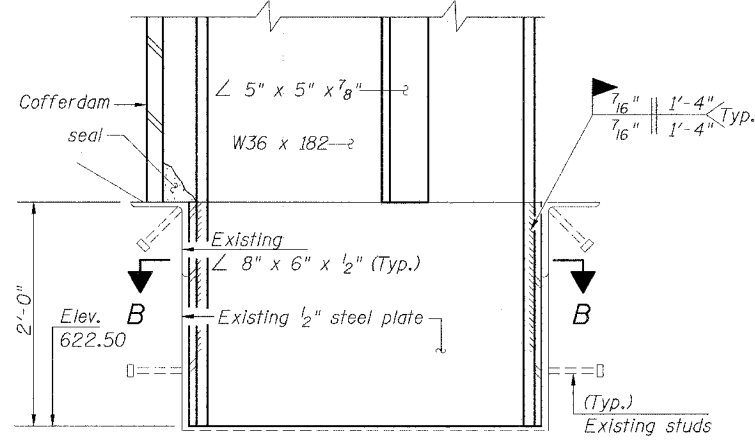
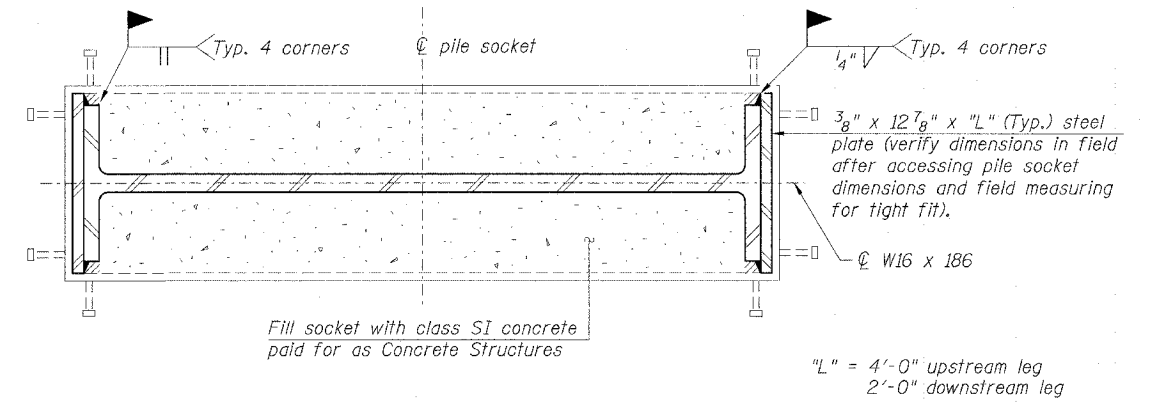


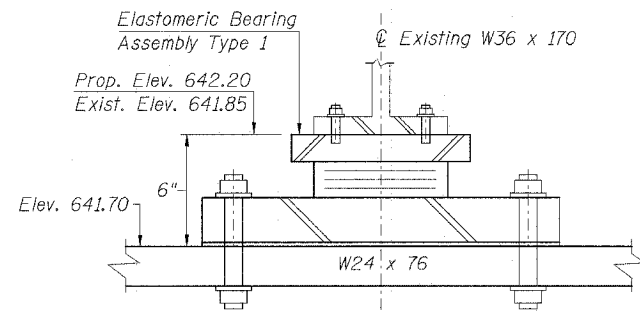
DETAIL "C"



DETAIL "D"



SECTION B-B



DETAIL "B"

BILL OF MATERIAL

Item	Unit	Quantity
Concrete Structures	Cu Yd	2.6
Furnishing and Erecting Structural Steel	L Sum	1
Cofferdams	Each	8

Drawn By: RLM
 Checked By: TMM
 07/24/2006
 02:32:02 PM
 0:\over\p\high\Projects\Mississippi FR-420\Plans\17 of 21 (bridge) spt.dwg