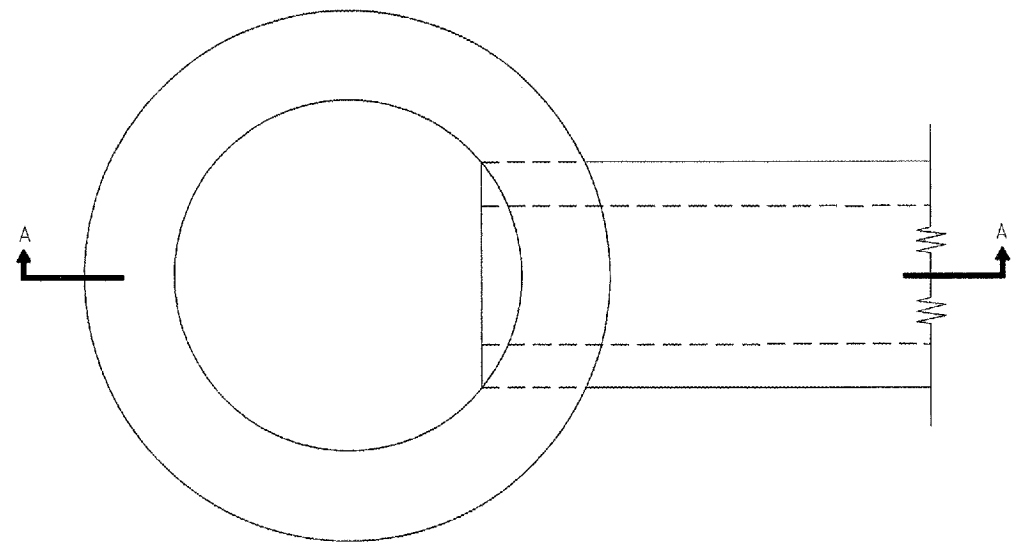
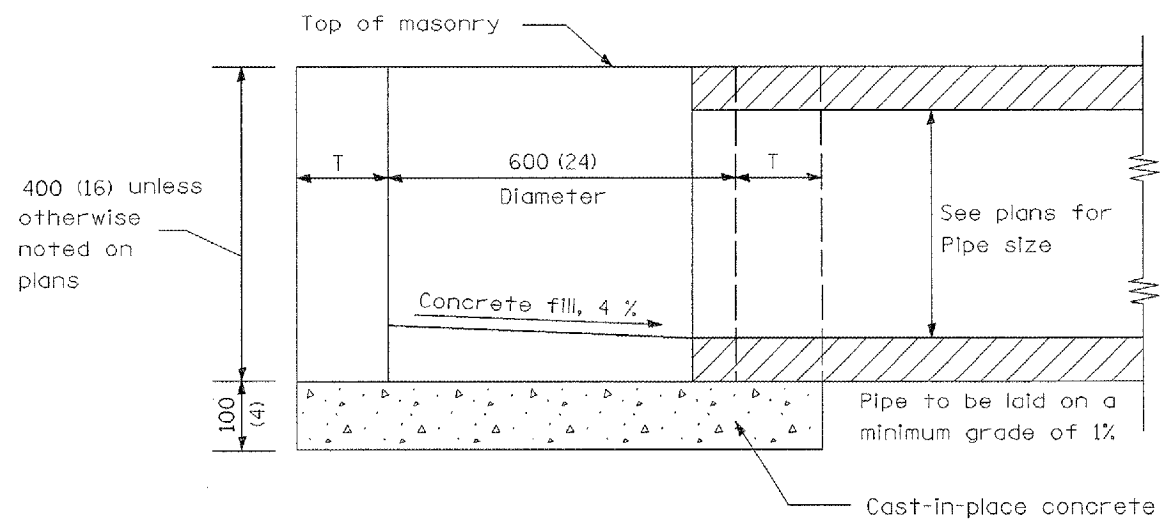


CONTRACT NUMBER	COUNTY	TOTAL SHEETS	SHEET NO.
GRO02	BOND	29	18

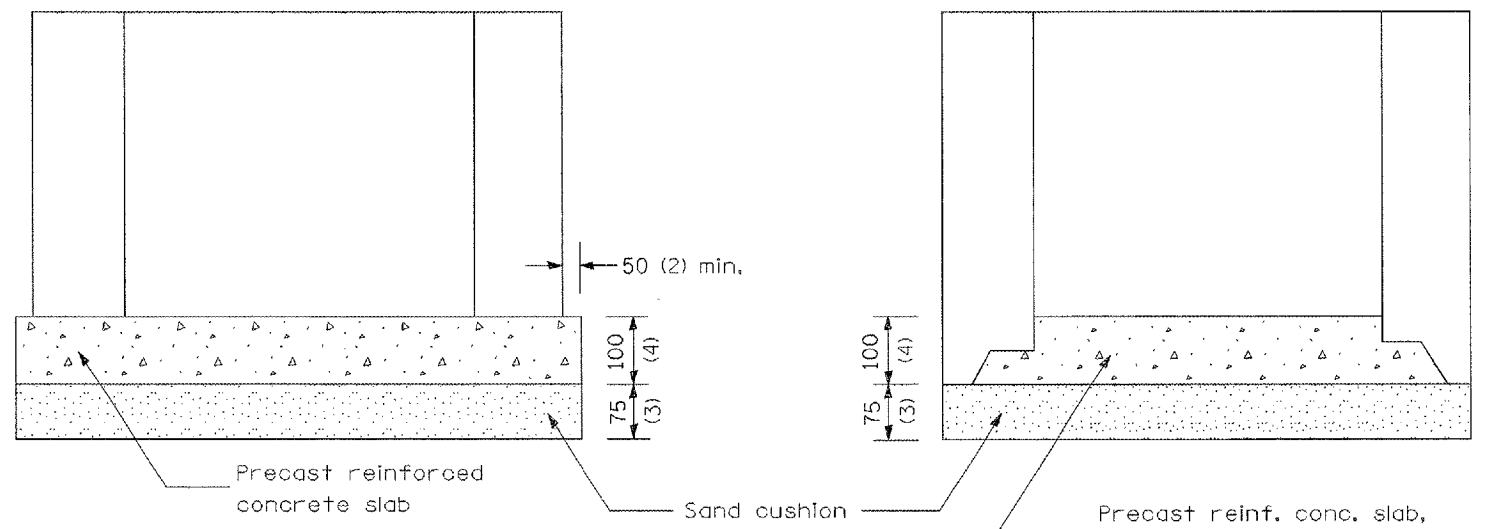


PLAN

ALTERNATE MATERIALS FOR WALLS	T
BRICK MASONRY	200 (8)
CAST-IN-PLACE CONCRETE	150 (6)
CONCRETE MASONRY UNIT	125 (5)
PRECAST REINFORCED CONCRETE SECTION	75 (3)



SECTION A-A



ALTERNATE METHODS

Precast reinf. conc. slab, when the precast reinforced concrete section alternate is used.

All dimensions are in millimeters (inches) unless otherwise shown.



DATE	DESCRIPTION OF THE REVISIONS	BY

GREENVILLE AIRPORT AUTHORITY GREENVILLE, ILLINOIS

HENRY, MEISENHEIMER & GENDE, INC.
ENGINEERS
CARLYLE, ILLINOIS 62231
www.hmgengineers.com
(618) 584-3711 Fax: (618) 584-8217

INLET - TYPE A

STANDARD 602301

IL PROJ. NO. GRE-3215
A.I.P. PROJ. NO. 3-17-0049-B4
FILE NAME IDOT-602401
DATE 03-24-2006

H.M.G. NO. 5536