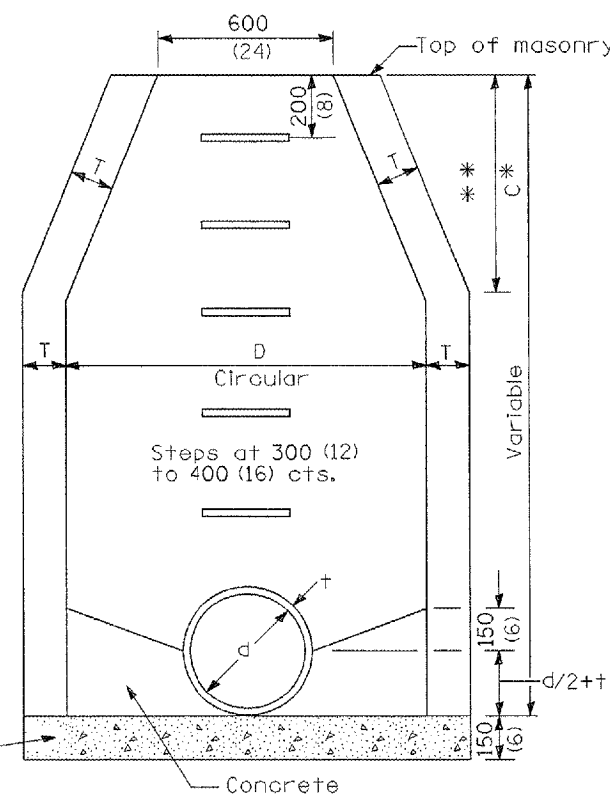
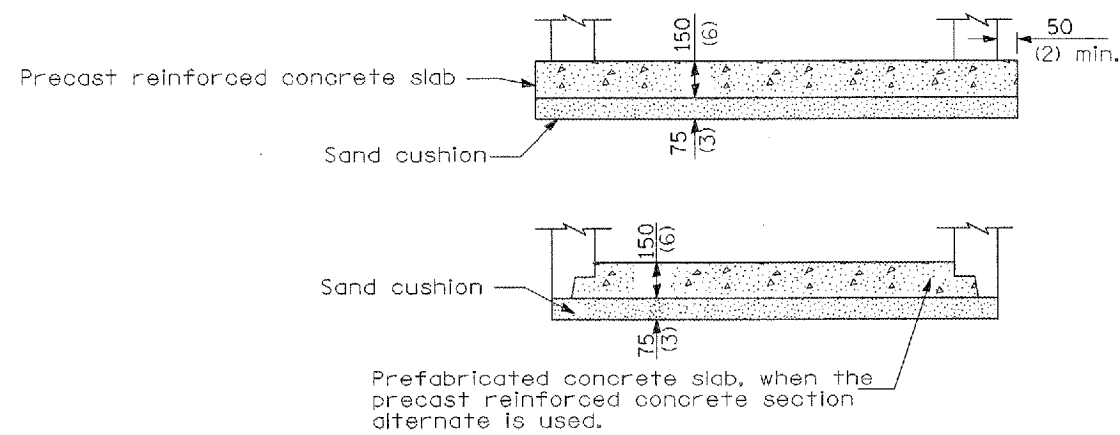


**ELEVATION - ECCENTRIC**



**ELEVATION - CONCENTRIC**

ALTERNATE MATERIALS FOR WALLS	D	C	T (min.)
Concrete Masonry Unit	1.2 m (4'-0")	750 (30)	125 (5)
	1.5 m (5'-0")	1,115 m (3'-9")	125 (5)
Brick Masonry	1.2 m (4'-0")	750 (30)	200 (8)
	1.5 m (5'-0")	1,115 m (3'-9")	200 (8)
Precast Reinforced Concrete Section	1.2 m (4'-0")	750 (30)	100 (4)
	1.5 m (5'-0")	1,115 m (3'-9")	125 (5)
Cast-in-place Concrete	1.2 m (4'-0")	750 (30)	150 (6)
	1.5 m (5'-0")	1,115 m (3'-9")	150 (6)



**ALTERNATE BOTTOM SLAB**

**GENERAL NOTES**

See Standard 602701 for details of steps.

\* Dimension "C" for Precast Reinforced Concrete Sections may vary from the dimension given to plus 150 mm (6").

\*\* See Standard 602601 for Optional Precast Reinforced Concrete Flat Slab Top.

All dimensions are in millimeters (inches) unless otherwise shown.

DATE	DESCRIPTION OF THE REVISIONS	BY

GREENVILLE AIRPORT AUTHORITY GREENVILLE, ILLINOIS

**HMG** HENRY, MEISENHEIMER & GENDE, INC. ENGINEERS CARLYLE, ILLINOIS 62231 www.hmgengineers.com (818) 584-3711 Fax (818) 584-8217

<b>MANHOLE TYPE A</b>	IL PROJ. NO. GRE-3215
	A.I.P. PROJ. NO. 3-17-0049-B4
<b>STANDARD 602401</b>	FILE NAME IDOT-602401
	DATE 03-24-2006