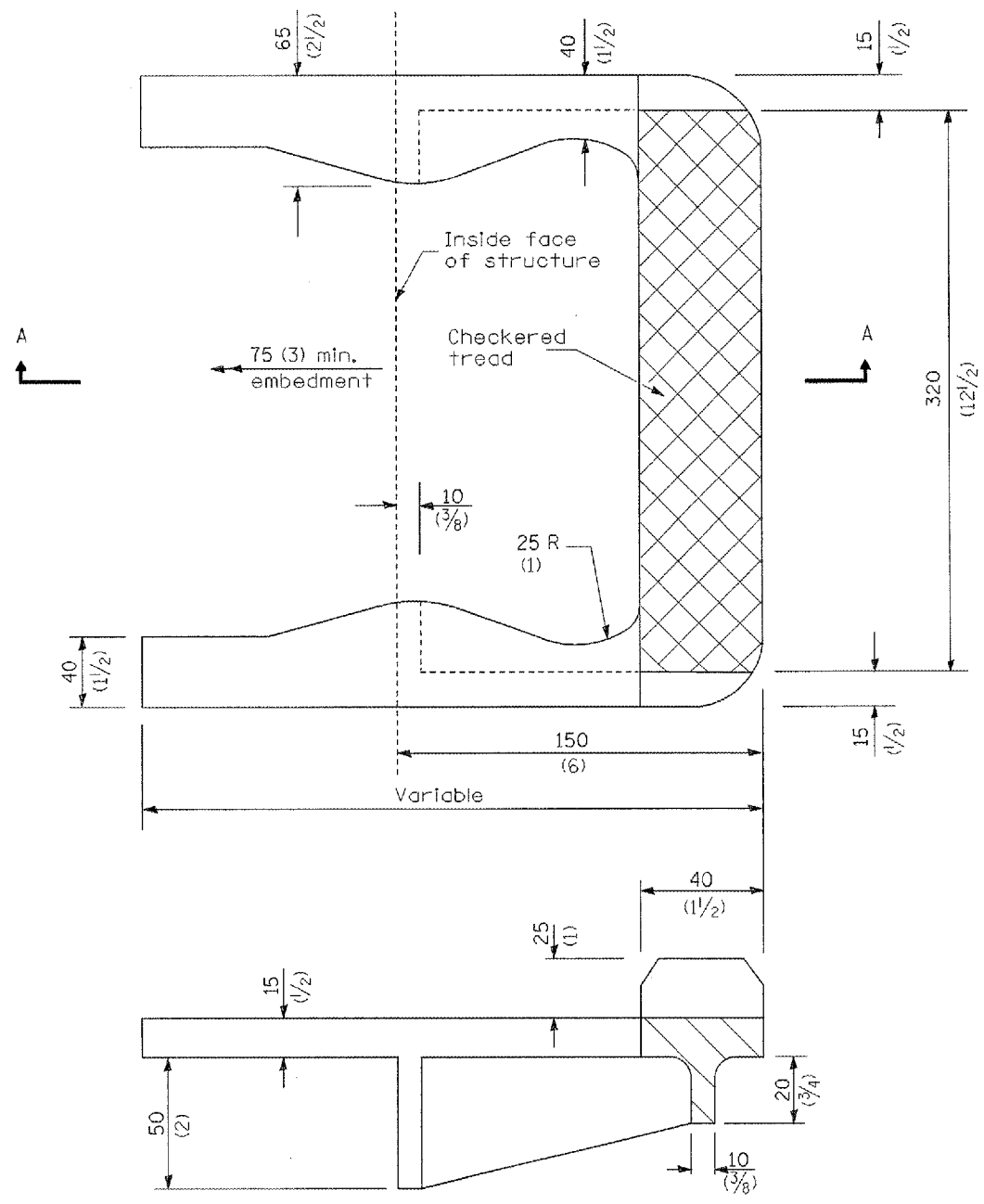
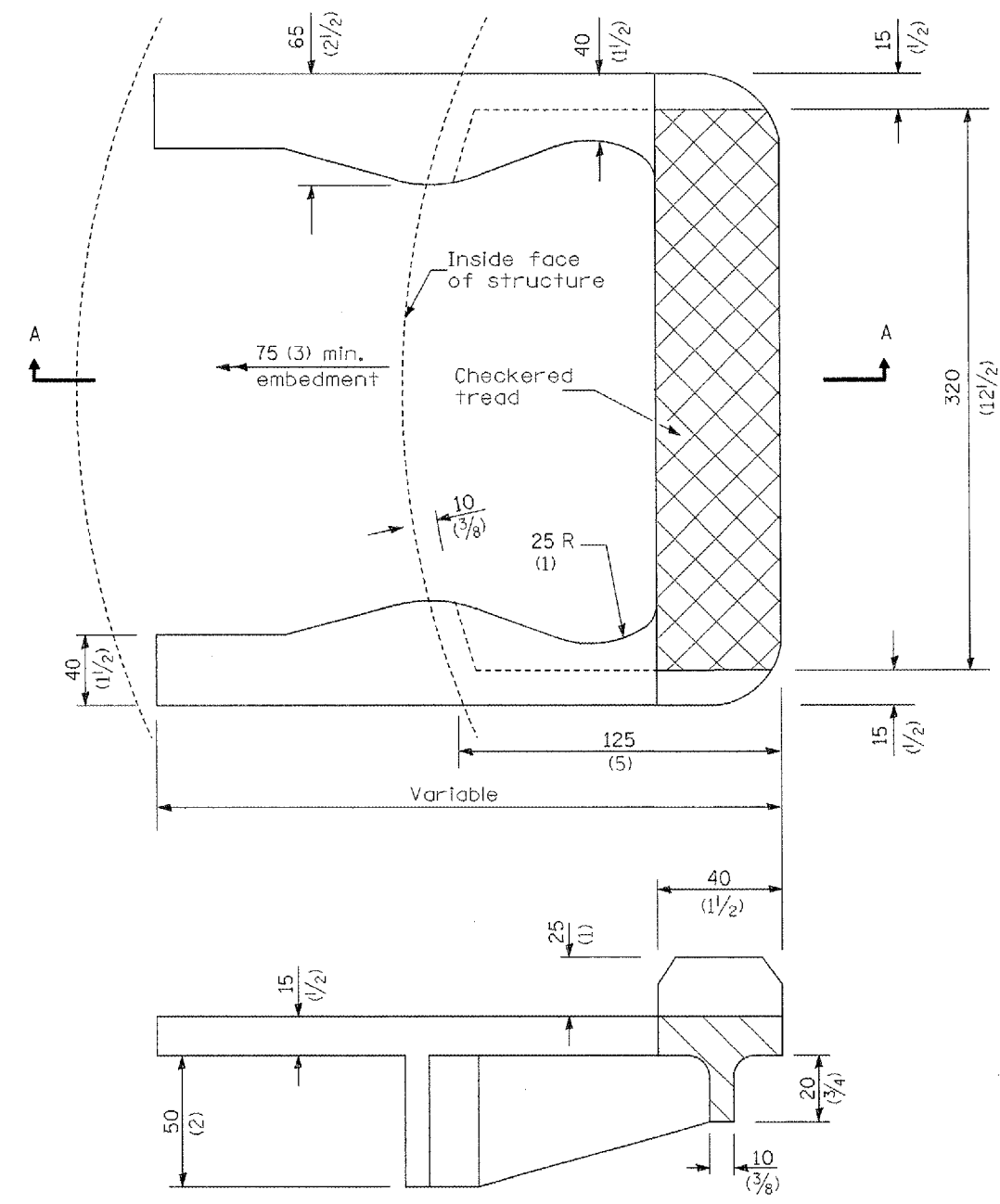


CONTRACT NUMBER	COUNTY	TOTAL SHEETS	SHEET NO.
GRO02	BOND	29	21



SECTION A-A
STRAIGHT WALL STRUCTURE



SECTION A-A
CIRCULAR WALL STRUCTURE

All dimensions are in millimeters (inches) unless otherwise shown.



DATE	DESCRIPTION OF THE REVISIONS	BY

GREENVILLE AIRPORT AUTHORITY GREENVILLE, ILLINOIS

HENRY, WEISBERGER & GEMDE, INC.
ENGINEERS
CARLYLE, ILLINOIS 62231
www.hmgengineers.com
(618) 584-3711 Fax (618) 584-8217

CAST IRON STEPS	IL PROJ. NO. GRE-3215
	A.I.P. PROJ. NO. 3-17-0049-B4
STANDARD 602701	FILE NAME IDOT-602701
	DATE 03-24-2006

H.M.G. NO. 5636