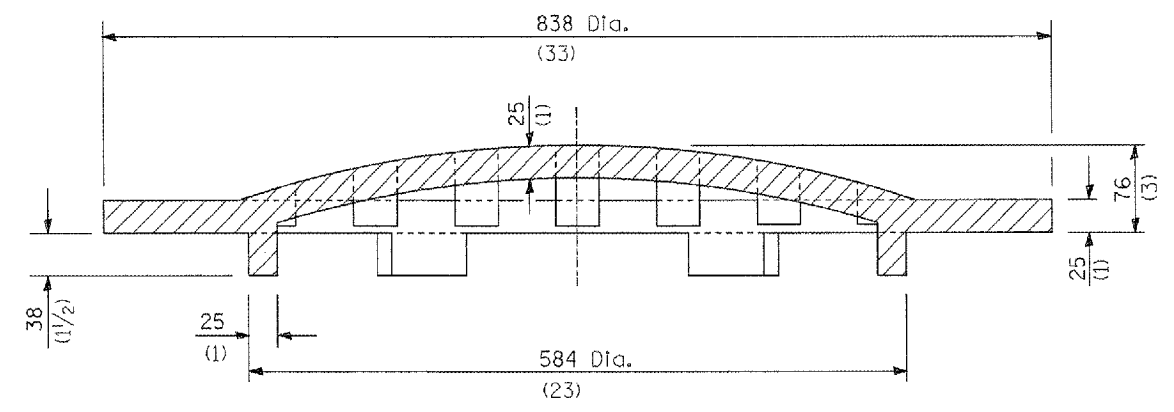
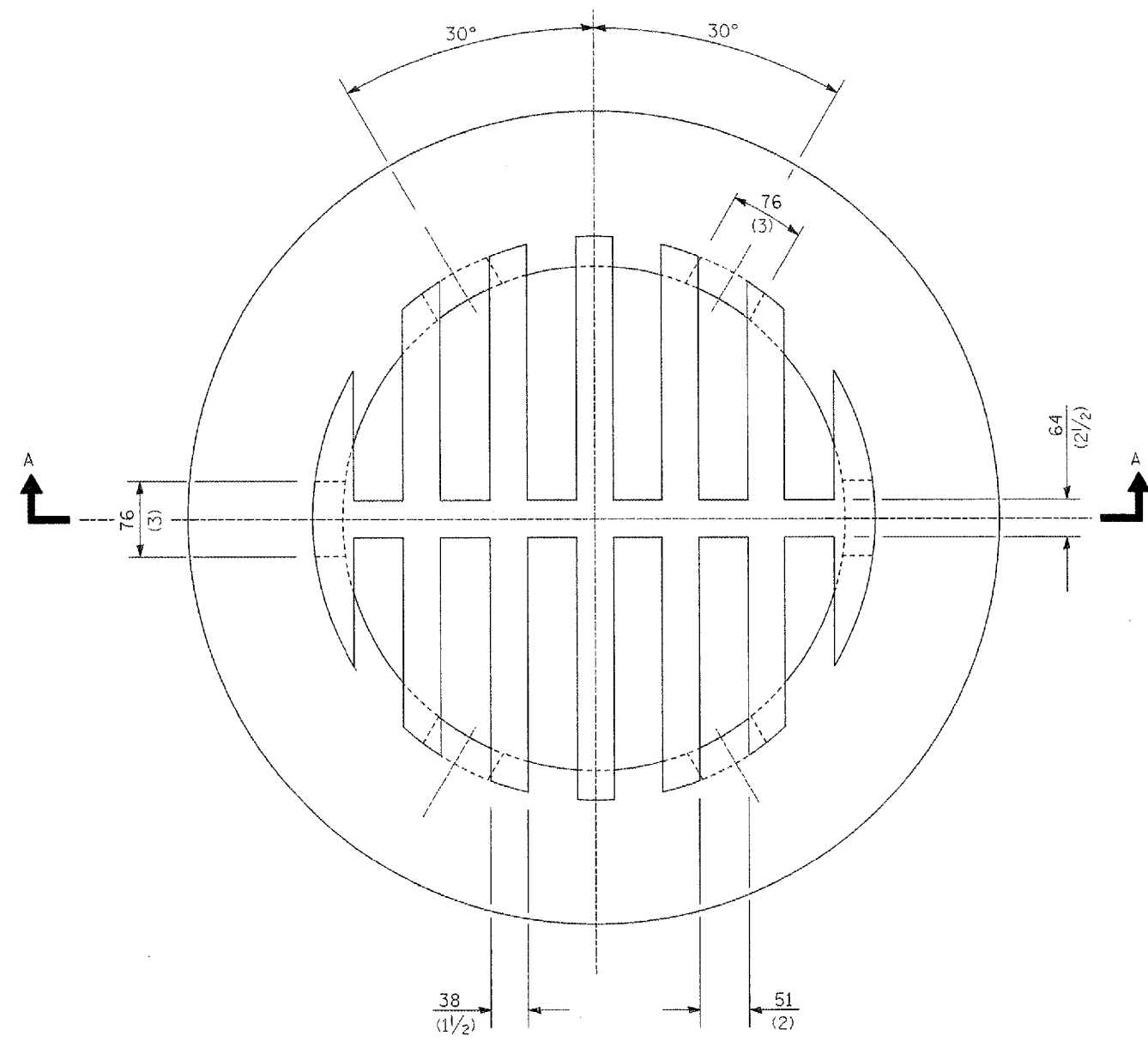


CONTRACT NUMBER	COUNTY	TOTAL SHEETS	SHEET NO.
GRO02	BOND	29	24



SECTION A-A

**CAST GRATE**  
91 kg (200 lbs.)

All dimensions are in millimeters (inches) unless otherwise shown.



DATE	DESCRIPTION OF THE REVISIONS	BY	IL. PROJ. NO.
			GRE-3215
			A.I.P. PROJ. NO. 3-17-0049-B4
			FILE NAME IDOT-604036
			DATE 03-24-2006

  
 GREENVILLE AIRPORT AUTHORITY GREENVILLE, ILLINOIS

  
 HENRY, MEISENHEIMER & GENDIE, INC.  
 ENGINEERS  
 CARLYLE, ILLINOIS 62231  
 www.hmgengineers.com  
 (618) 594-3711 Fax (618) 594-8217

**GRATE TYPE 8**

**STANDARD 604036**

H.M.G. NO. 6538