

STATE OF ILLINOIS
DEPARTMENT OF TRANSPORTATION

F.A.P. RTE.	SECTION	COUNTY	TOTAL SHEETS	SHEET NO.
804	(32)	CHAMPAIGN	7	1
		ILLINOIS	CONTRACT NO. 70G22	

FOR INDEX OF SHEETS, SEE SHEET NO. 2
FOR SUMMARY OF QUANTITIES, SEE SHEET NO. 3

TRAFFIC DATA

FAP RTE. 804 / (US 150)
LEG "A"
2022 ADT = 11,600
PV % = 95.20%
SU % = 2.40%
MU % = 2.40%

TRAFFIC DATA LOCATIONS
LEG "A" = PROSPECT AVE TO STATE STREET IN CHAMPAIGN

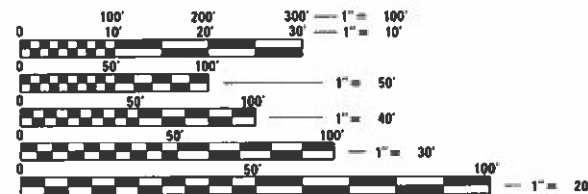
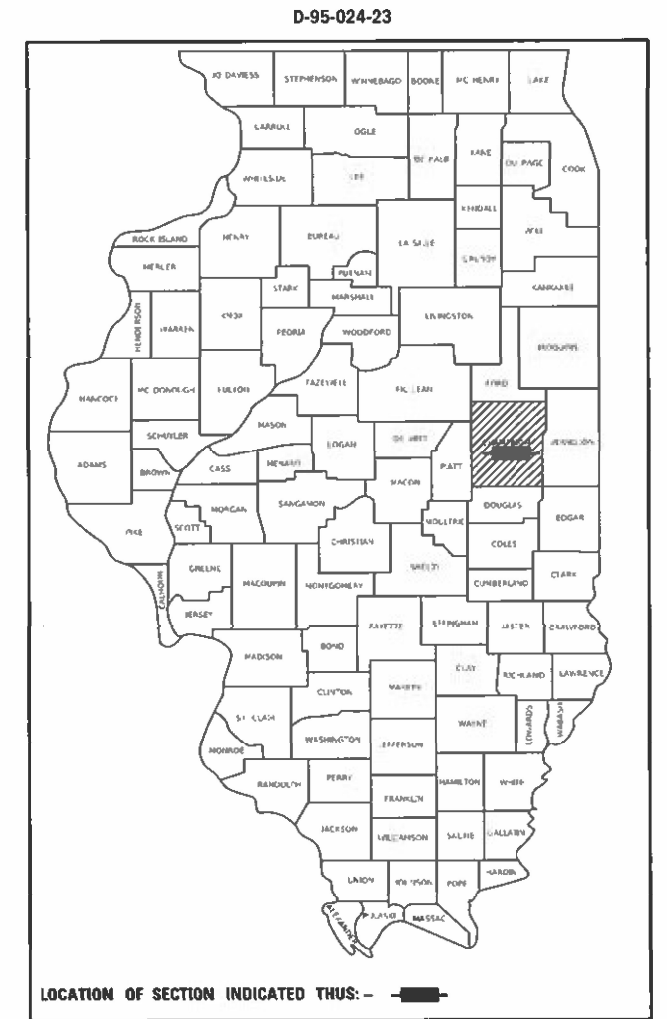
FUNCTIONAL CLASSIFICATION
OTHER PRINCIPAL ARTERIAL

PROPOSED
HIGHWAY PLANS

FAP ROUTE 804 (US 150)
SECTION (32)
PATCHING
CHAMPAIGN COUNTY

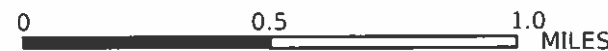
C-95-037-23

PROSPECT AVE TO STATE ST IN CHAMPAIGN



FULL SIZE PLANS HAVE BEEN PREPARED USING STANDARD ENGINEERING SCALES. REDUCED SIZED PLANS WILL NOT CONFORM TO STANDARD SCALES. IN MAKING MEASUREMENTS ON REDUCED PLANS, THE ABOVE SCALES MAY BE USED.

J.U.L.I.E.
JOINT UTILITY LOCATION INFORMATION FOR EXCAVATORS
1-800-892-0123
OR 811
TOWNSHIPS
CHAMPAIGN CITY



GROSS LENGTH = 3,099.53 FT. = 0.587 MILE
NET LENGTH = 3,099.53 FT. = 0.587 MILE

PROJECT ENGINEER: RYAN T. CARROLL
SQUAD LEADER: TYLER J. PIERSON
DESIGNER: AARON FARNHAM
CONTRACT NO. 70G22

STATE OF ILLINOIS
DEPARTMENT OF TRANSPORTATION

SUBMITTED 11/26 2023
Kensil A. Barnett
REGIONAL ENGINEER

March 24, 2023
[Signature]
ENGINEER OF DESIGN AND ENVIRONMENT

March 24, 2023
[Signature]
DIRECTOR OF HIGHWAYS PROJECT IMPLEMENTATION

PRINTED BY THE AUTHORITY
OF THE STATE OF ILLINOIS

INDEX OF SHEETS

<u>DESCRIPTION</u>	<u>SHEET NO.</u>
COVER	1
INDEX OF SHEETS, LIST OF HIGHWAY STANDARDS, & COMMITMENTS	2
SUMMARY OF QUANTITIES	3
SCHEDULE OF QUANTITIES	4
TYPICAL CROSS-SECTIONS	5 to 7

LIST OF STANDARDS

<u>STANDARD NO.</u>	<u>DESCRIPTION</u>
000001-08	STANDARD SYMBOLS, ABBREVIATIONS AND PATTERNS
001001-02	AREAS OF REINFORCEMENT BARS
001006	DECIMAL OF AN INCH AND OF A FOOT
420001-10	PAVEMENT JOINTS
442201-03	CLASS C AND D PATCHES
701502-09	URBAN LANE CLOSURE, 2L, 2W, WITH BIDIRECTIONAL LEFT TURN LANE
701602-10	URBAN LANE CLOSURE, MULTILANE, 2W WITH BIDIRECTIONAL LEFT TURN LANE
701701-10	URBAN LANE CLOSURE, MULTILANE INTERSECTION
701801-06	SIDEWALK, CORNER OR CROSSWALK CLOSURE
701901-08	TRAFFIC CONTROL DEVICES

GENERAL NOTES

G.N.-100A
ELECTRONIC FILES AND/OR ELECTRONIC SURVEY INFORMATION INCLUDING CADD FILES WILL NOT BE AVAILABLE TO THE CONTRACTOR.

G.N. -406H

MIXTURE REQUIREMENTS

THE FOLLOWING MIXTURE REQUIREMENTS ARE APPLICABLE FOR THIS PROJECT:

Location	US 150
Mixture Use	Incidental
AC/PG	PG 64-22
Design Air Voids	4.0% @ Ndes=50
Mix Comp(Gradation)	IL 9.5
Friction Aggregate	Mix C
Mixture Weight	112
Quality Management Program	QC/QA
Sublot Size	3000
Material Transfer Device (Required ?)	NO

G.N.-440B
THE EXISTING TIE BARS BETWEEN THE EXISTING PAVEMENT AND EXISTING MEDIANS, GUTTERS AND/OR COMBINATION CURB AND GUTTERS THAT ARE FOUND SUITABLE FOR REUSE SHALL BE CLEANED, STRAIGHTENED AND INCORPORATED INTO THE NEW CONSTRUCTION. ANY EXISTING TIE BARS THAT ARE FOUND UNSUITABLE TO BE INCORPORATED INTO THE PROPOSED CONSTRUCTION DUE TO EXCESSIVE RUSTING OR DISTRESS SHALL BE REMOVED FLUSH WITH THE FACE OF THE EXISTING CONCRETE AND DISPOSED OF OUTSIDE THE LIMITS OF THE RIGHT-OF-WAY IN ACCORDANCE WITH ARTICLE 202.03 OF THE STANDARD SPECIFICATIONS.

THIS WORK WILL NOT BE PAID FOR SEPARATELY BUT SHALL BE CONSIDERED INCLUDED IN THE VARIOUS REMOVAL PAY ITEMS AND NO ADDITIONAL COMPENSATION WILL BE ALLOWED.

G.N.-780 (SPL)
PAVEMENT MARKING FOR THIS PROJECT IS TO BE PERFORMED BY OTHERS, FIELD PERSONNEL SHALL NOTIFY GARY SIMS, DISTRICT 5 TRAFFIC OPERATIONS ENGINEER AT (217) 465-4181 WHEN THE PROJECT IS COMPLETE AND READY FOR PAVEMENT MARKINGS.

COMMITMENTS

THERE ARE NO COMMITMENTS FOR THIS CONTRACT

**STATE OF ILLINOIS
DEPARTMENT OF TRANSPORTATION**

**INDEX OF SHEETS, LIST OF STANDARDS,
GENERAL NOTES, & COMMITMENTS**

USER NAME = Tyler,Plerson	DESIGNED -	REVISED -
	DRAWN -	REVISED -
PLOT SCALE = 40,0000 * / in.	CHECKED -	REVISED -
PLOT DATE = 1/25/2023	DATE -	REVISED -

SCALE: SHEET 1 OF 1 SHEETS STA. TO STA.

F.A.P. RTE.	SECTION	COUNTY	TOTAL SHEETS	SHEET NO.
804	(32)I	CHAMPAIGN	7	2
CONTRACT NO. 70G22				
ILLINOIS FED. AID PROJECT				

SUMMARY OF QUANTITIES

LOCATION OF WORK: FAP 804 (US 150)
 HER PRINCIPAL ARTERIAL
 URBAN
 STA. 00+32.00
 STA. 31+00.00
 CHAMPAIGN
 FUNDING BREAKOUT: 100% STATE
 CONSTRUCTION TYPE CODE: 0006

CODE NO.	ITEM	UNIT	TOTAL QUANTITY
40800029	BITUMINOUS MATERIALS (TACK COAT)	POUND	84.00
40800050	INCIDENTAL HOT-MIX ASPHALT SURFACING	TON	32.00
44201423	CLASS C PATCHES, TYPE I, 16 INCH	SQ YD	4.00
44201427	CLASS C PATCHES, TYPE II, 16 INCH	SQ YD	68.00
44201431	CLASS C PATCHES, TYPE III, 16 INCH	SQ YD	41.00
44201433	CLASS C PATCHES, TYPE IV, 16 INCH	SQ YD	1,077.00
67100100	MOBILIZATION	L SUM	1.00
70102622	TRAFFIC CONTROL AND PROTECTION, STANDARD 701502	L SUM	1.00
70102632	TRAFFIC CONTROL AND PROTECTION, STANDARD 701602	L SUM	1.00
70102635	TRAFFIC CONTROL AND PROTECTION, STANDARD 701701	L SUM	1.00
70102640	TRAFFIC CONTROL AND PROTECTION, STANDARD 701801	L SUM	1.00
70107025	CHANGEABLE MESSAGE SIGN	CAL DA	6.00
X4400196	HOT-MIX ASPHALT SURFACE REMOVAL, SPECIAL	SQ YD	186.00
Z0013798	CONSTRUCTION LAYOUT	L SUM	1.00
* DENOTES SPECIALTY ITEM			

MODEL: I:\MODEL\MHFE
 FILE: MHFE.dwg
 PLOT DATE: 1/25/2023

USER NAME = Tyler,Plerson	DESIGNED -	REVISED -
	DRAWN -	REVISED -
PLOT SCALE = 40,0000 * / in.	CHECKED -	REVISED -
PLOT DATE = 1/25/2023	DATE -	REVISED -

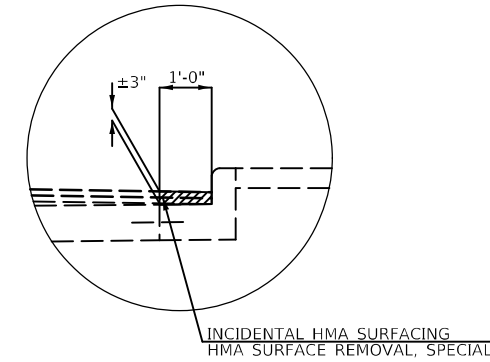
**STATE OF ILLINOIS
DEPARTMENT OF TRANSPORTATION**

SUMMARY OF QUANTITIES

SCALE: SHEET 1 OF 1 SHEETS STA. TO STA.

F.A.P. RTE.	SECTION	COUNTY	TOTAL SHEETS	SHEET NO.
804	(32)I	CHAMPAIGN	7	3
CONTRACT NO. 70G22				
ILLINOIS FED. AID PROJECT				

SCHEDULES OF QUANTITIES



EASTBOUND CLASS C PATCHING 16 INCH SCHEDULE															
STA	LANE	LENGTH FT	WIDTH FT	AVERAGE INCIDENTAL HMA THICKNESS IN	GUTTER WIDTH FT	GUTTER AREA SQ FT	44201423	44201427	44201431	44201433	40800029	40800050	X4400196	ESTIMATED TIE BARS FOR INFO ONLY NO PAYMENT EACH	
							CLASS C PATCHES, TYPE I, 16 INCH SQ YD	CLASS C PATCHES, TYPE II, 16 INCH SQ YD	CLASS C PATCHES, TYPE III, 16 INCH SQ YD	CLASS C PATCHES, TYPE IV, 16 INCH SQ YD	BIT MATLS TACK CT POUND	INCIDENTAL HMA SURF TON	HMA SURF REM SPL SQ YD		
3+30.00	EB	16	12	3	1	16.00	0.00	0.00	21.33	0.00	0.80	0.30	1.78	0.00	
3+91.00	EB	97	6	3	1	97.00	0.00	0.00	0.00	64.67	4.85	1.81	10.78	97.00	
9+00.00	EB	103	6	3	1	103.00	0.00	0.00	0.00	68.67	5.15	1.92	11.45	103.00	
10+93.00	EB	65	6	3	1	65.00	0.00	0.00	0.00	43.33	3.25	1.21	7.23	65.00	
13+08.00	EB	215	6	3	1	215.00	0.00	0.00	0.00	143.33	10.75	4.01	23.89	215.00	
15+33.00	EB	153	6	3	1	153.00	0.00	0.00	0.00	102.00	7.65	2.86	17.00	153.00	
17+68.00	EB	76	6	3	1	76.00	0.00	0.00	0.00	50.67	3.80	1.42	8.45	76.00	
19+93.00	EB	12	6	3	1	12.00	0.00	8.00	0.00	0.00	0.60	0.22	1.34	0.00	
20+84.00	EB	48	6	3	1	48.00	0.00	0.00	0.00	32.00	2.40	0.90	5.34	48.00	
22+26.00	EB	10	6	3	1	10.00	0.00	6.67	0.00	0.00	0.50	0.19	1.12	0.00	
22+80.00	EB	45	6	3	1	45.00	0.00	0.00	0.00	30.00	2.25	0.84	5.00	45.00	
23+57.00	EB	46	6	3	1	46.00	0.00	0.00	0.00	30.67	2.30	0.86	5.12	46.00	
25+64.00	EB	65	6	3	1	65.00	0.00	0.00	0.00	43.33	3.25	1.21	7.23	65.00	
26+83.00	EB	40	6	3	1	40.00	0.00	0.00	0.00	26.67	2.00	0.75	4.45	40.00	
EASTBOUND TOTALS =							0.00	14.67	21.33	635.33	49.55	18.50	110.18	953.00	
EASTBOUND ROUNDED TOTALS =							0.00	15.00	22.00	636.00	50.00	19.00	111.00	953.00	

WESTBOUND CLASS C PATCHING 16 INCH SCHEDULE															
STA	LANE	LENGTH FT	WIDTH FT	AVERAGE INCIDENTAL HMA THICKNESS IN	GUTTER WIDTH FT	GUTTER AREA SQ FT	44201423	44201427	44201431	44201433	40800029	40800050	X4400196	ESTIMATED TIE BARS FOR INFO ONLY NO PAYMENT EACH	
							CLASS C PATCHES, TYPE I, 16 INCH SQ YD	CLASS C PATCHES, TYPE II, 16 INCH SQ YD	CLASS C PATCHES, TYPE III, 16 INCH SQ YD	CLASS C PATCHES, TYPE IV, 16 INCH SQ YD	BIT MATLS TACK CT POUND	INCIDENTAL HMA SURF TON	HMA SURF REM SPL SQ YD		
4+13.00	WB	70	6	3	1	70.00	0.00	0.00	0.00	46.67	3.50	1.31	7.78	70.00	
7+75.00	WB	93	13	3	1	93.00	0.00	0.00	0.00	134.33	4.65	1.74	10.34	93.00	
8+85.00	WB	28	6	3	1	28.00	0.00	0.00	18.67	0.00	1.40	0.52	3.12	28.00	
10+70.00	WB	15	6	3	1	15.00	0.00	10.00	0.00	0.00	0.75	0.28	1.67	0.00	
14+41.00	WB	10	6	3	1	10.00	0.00	6.67	0.00	0.00	0.50	0.19	1.12	0.00	
15+40.00	WB	22	6	3	1	22.00	0.00	14.67	0.00	0.00	1.10	0.41	2.45	22.00	
17+61.00	WB	75	6	3	1	75.00	0.00	0.00	0.00	50.00	3.75	1.40	8.34	75.00	
20+08.00	WB	22	6	3	1	22.00	0.00	14.67	0.00	0.00	1.10	0.41	2.45	22.00	
20+77.00	WB	93	6	3	1	93.00	0.00	0.00	0.00	62.00	4.65	1.74	10.34	93.00	
22+28.00	WB	74	6	3	1	74.00	0.00	0.00	0.00	49.33	3.70	1.38	8.23	74.00	
24+16.00	WB	48	6	3	1	48.00	0.00	0.00	0.00	32.00	2.40	0.90	5.34	48.00	
25+16.00	WB	100	6	3	1	100.00	0.00	0.00	0.00	66.67	5.00	1.87	11.12	100.00	
26+90.00	WB	10	6	3	1	10.00	0.00	6.67	0.00	0.00	0.50	0.19	1.12	0.00	
27+11.00	WB	6	6	3	1	6.00	4.00	0.00	0.00	0.00	0.30	0.11	0.67	0.00	
WESTBOUND TOTALS =							4.00	52.67	18.67	441.00	33.3	12.45	74.09	625	
WESTBOUND ROUNDED TOTALS =							4.00	53.00	19.00	441.00	34.00	13.00	75.00	625.00	
TOTALS =							4.00	68.00	41.00	1,077.00	84.00	32.00	186.00	1578.00	

MODEL: I:\MODEL\MAHFS... PROJECT: I:\PROJECTS\70G22\CADD\DATA\CAD\Sheet\0570G22-sh-Schedule.dgn

USER NAME = Tyler,Plerson	DESIGNED -	REVISED -
	DRAWN -	REVISED -
PLOT SCALE = 40,0000 * / in.	CHECKED -	REVISED -
PLOT DATE = 1/25/2023	DATE -	REVISED -

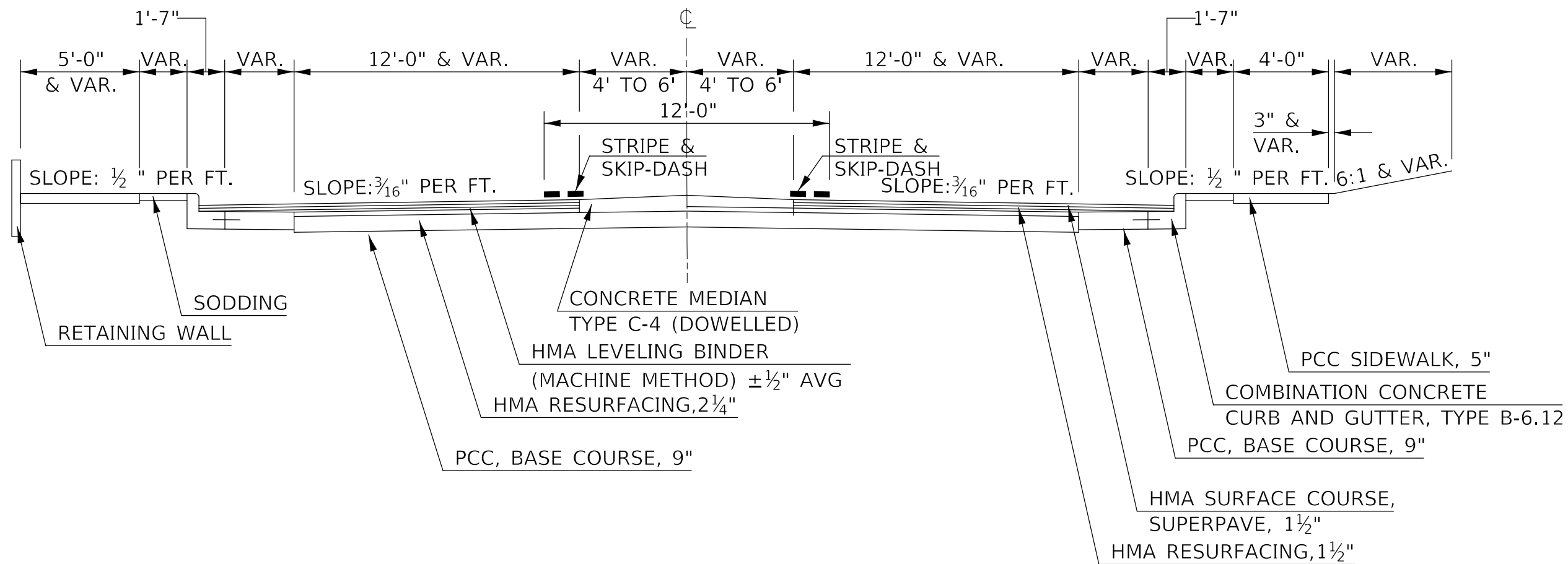
**STATE OF ILLINOIS
DEPARTMENT OF TRANSPORTATION**

SCHEDULE OF QUANTITIES			
SCALE:	SHEET 1	OF 1	SHEETS
	STA.		TO STA.

F.A.P. RTE.	SECTION	COUNTY	TOTAL SHEETS	SHEET NO.
804	(32)I	CHAMPAIGN	7	4
CONTRACT NO. 70G22				
ILLINOIS FED. AID PROJECT				

TYPICAL CROSS SECTION ②

① STA. 01+85.01 TO STA. 03+31.01 ③



MODEL: I:\MODEL\MM15
 FILE: MM15.dwg
 PLOT DATE: 1/25/2023
 PROJECT: I:\PROJECTS\70G22\CAD\DATA\CAD\FILES\70G22-CH-TYPICAL_Cross_Section.dgn

USER NAME = Tyler, Pierson	DESIGNED -	REVISED -
	DRAWN -	REVISED -
PLOT SCALE = 5,000' / in.	CHECKED -	REVISED -
PLOT DATE = 1/25/2023	DATE -	REVISED -

**STATE OF ILLINOIS
DEPARTMENT OF TRANSPORTATION**

**FAP 804 (US 150)
TYPICAL CROSS SECTION**

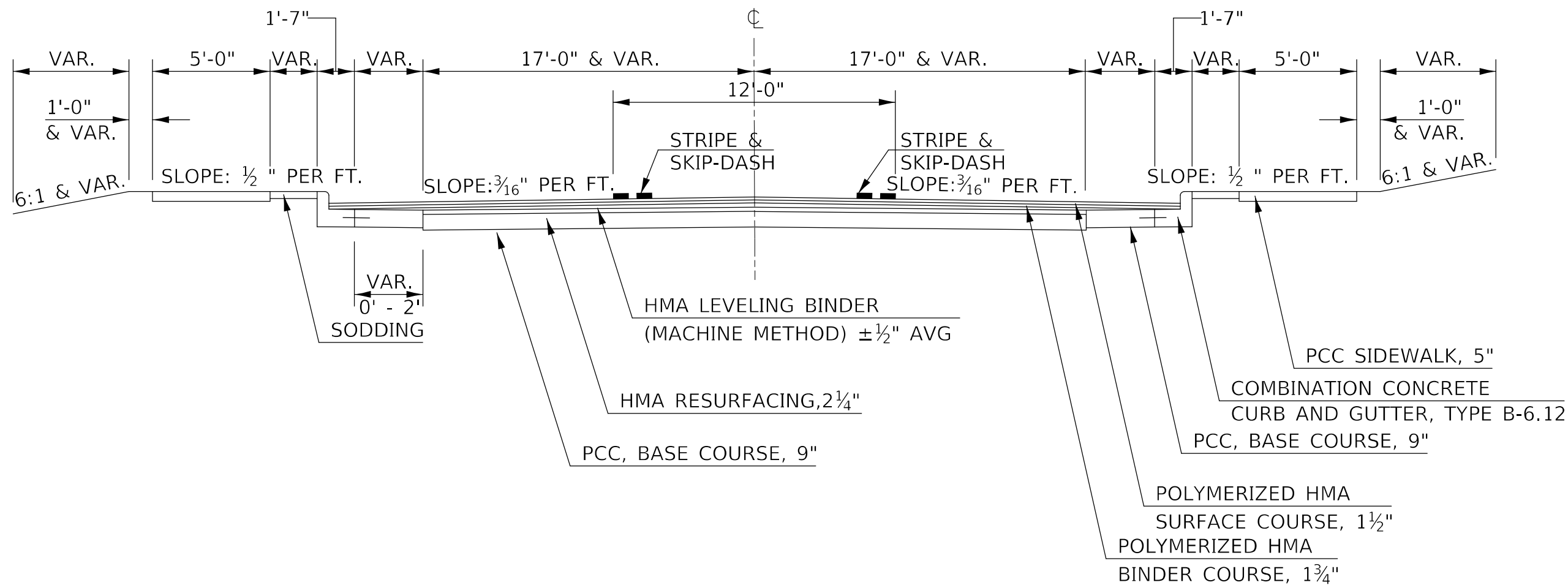
SCALE: N.T.S. SHEET 2 OF 3 SHEETS STA. TO STA.

F.A.P. RTE.	SECTION	COUNTY	TOTAL SHEETS	SHEET NO.
804	(32)I	CHAMPAIGN	7	6
CONTRACT NO. 70G22				
ILLINOIS FED. AID PROJECT				

TYPICAL CROSS SECTION ③

② STA. 03+31.01 TO STA. 30+79.00 ①

STA EQN.
 STA. 22+48.28 (BK) =
 STA. 22+48.75 (AH)



MODEL: \\MODEL\MAME
 FILE: \\MAME_Plan\Illinois\paw\bea\paw.com\PIV\DOT\Documents\DOT\Office\Dir\dr: 5\Project\0570G22\CADD\DATA\CAD\Sheet\0570G22-shc-Typical_Cross_Sections.dgn

USER NAME = Tyler,Plerson	DESIGNED -	REVISED -
	DRAWN -	REVISED -
PLOT SCALE = 5,000' / in.	CHECKED -	REVISED -
PLOT DATE = 1/25/2023	DATE -	REVISED -

**STATE OF ILLINOIS
 DEPARTMENT OF TRANSPORTATION**

FAP 804 (US 150) TYPICAL CROSS SECTION			
SCALE: N.T.S.	SHEET 3	OF 3 SHEETS	STA. TO STA.

F.A.P. RTE.	SECTION	COUNTY	TOTAL SHEETS	SHEET NO.
804	(32)I	CHAMPAIGN	7	7
CONTRACT NO. 70G22				
ILLINOIS FED. AID PROJECT				