

STATE OF ILLINOIS
DEPARTMENT OF TRANSPORTATION

F.A.I. RTE.	SECTION	COUNTY	TOTAL SHEETS	SHEET NO.
55	54-4PP	LOGAN	8	1
		ILLINOIS	CONTRACT NO. 72706	

FOR INDEX OF SHEETS, SEE SHEET NO. 2

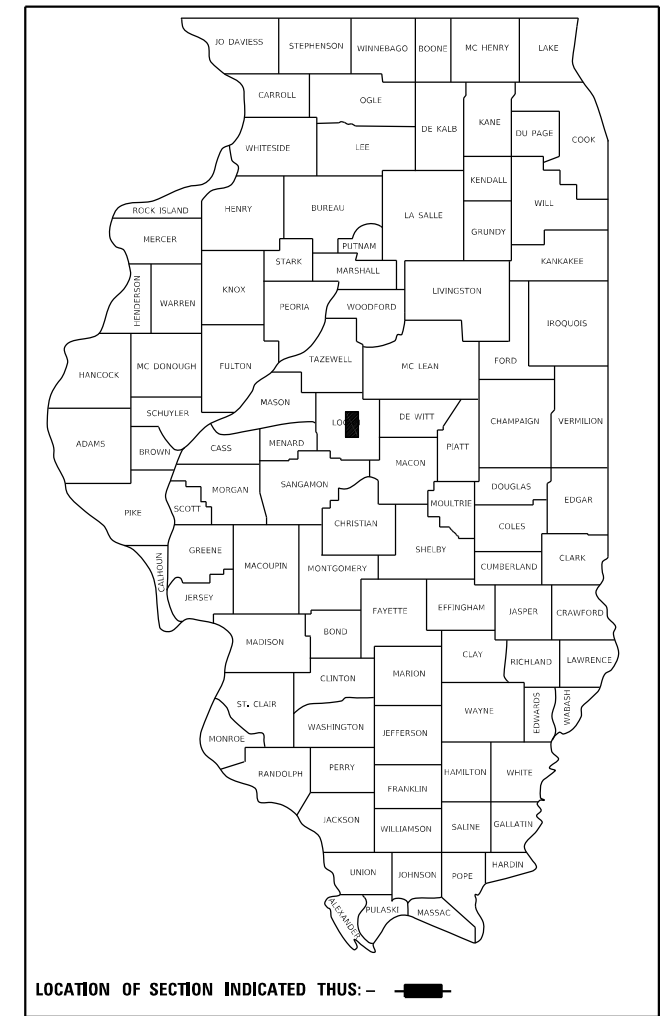
PROPOSED HIGHWAY PLANS

FAI ROUTE 55 (I 55)
SECTION 54-4PP

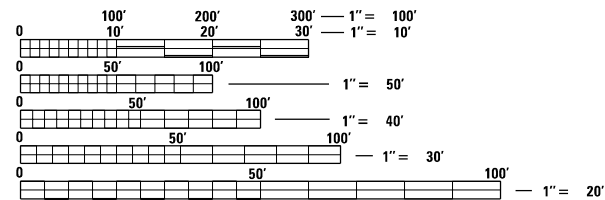
PAVEMENT PATCHING
LOGAN COUNTY

C-96-069-23

D96-028-23



ADT = 12,900
SU = 450
MU = 3,900

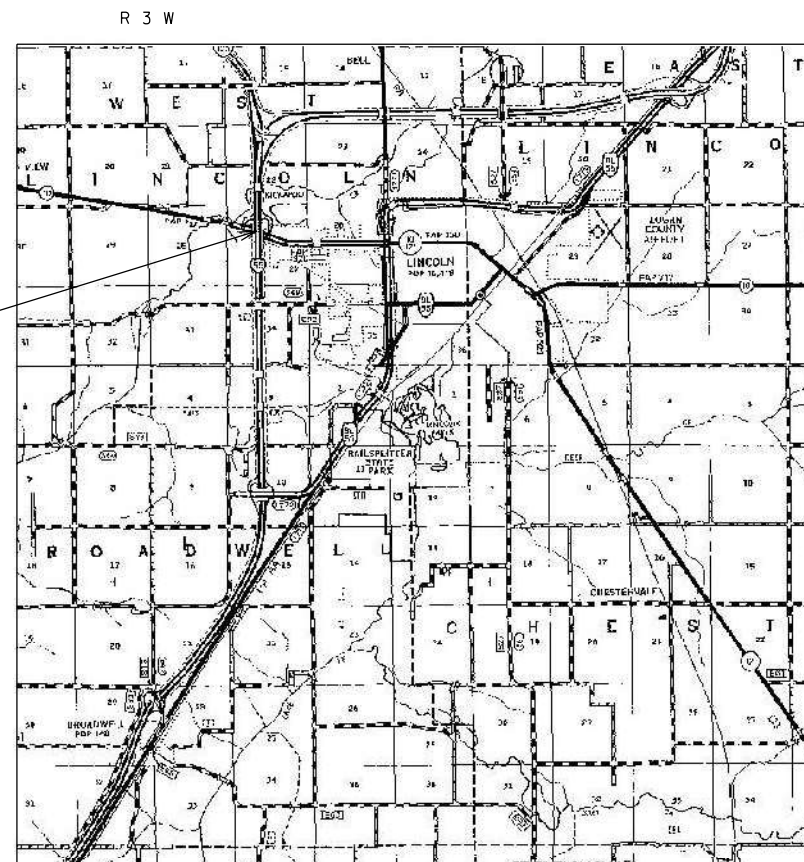


FULL SIZE PLANS HAVE BEEN PREPARED USING STANDARD ENGINEERING SCALES. REDUCED SIZED PLANS WILL NOT CONFORM TO STANDARD SCALES. IN MAKING MEASUREMENTS ON REDUCED PLANS, THE ABOVE SCALES MAY BE USED.

J.U.L.I.E.
JOINT UTILITY LOCATION INFORMATION FOR EXCAVATORS
1-800-892-0123
OR 811

PROJECT ENGINEER: MIKE HAMBY (217)524-7765
PROJECT MANAGER TIM SHARP (217)524-9160

CONTRACT NO. 72706



PROJECT LOCATION
STA. 344 + 59

STATE OF ILLINOIS
DEPARTMENT OF TRANSPORTATION

SUBMITTED February 7, 2023

John P. May
REGIONAL ENGINEER

March 24, 2023
John A. Etk
ENGINEER OF DESIGN AND ENVIRONMENT

March 24, 2023
Stephen M. Smith
DIRECTOR OF HIGHWAYS PROJECT IMPLEMENTATION

PRINTED BY THE AUTHORITY
OF THE STATE OF ILLINOIS




INDEX OF SHEETS

SHEET NO.	DESCRIPTION
1.	COVER SHEET
2.	INDEX OF SHEETS, STANDARDS, GENERAL NOTES & SIGNATURE
3.	SUMMARY OF QUANTITIES
4.	SCHEDULE
5.	LOCATION MAP
6.	PLAN
7.	DETAILS
8.	TYPICAL SECTIONS

STANDARDS

STANDARD NO.	DESCRIPTION
442101-09	CLASS B PATCHES
701101-05	OFF-RD OPERATIONS, MULTILANE, 15' TO 24" FROM EDGE OF PAVEMENT
701106-02	OFF-RD OPERATIONS, MULTILANE, MORE THAN 15" AWAY
701400-11	APPROACH TO LANE CLOSURE, FREEWAY/EXPRESSWAY
701446-11	TWO LANE CLOSURE, FREEWAY/EXPRESSWAY
701901-08	TRAFFIC CONTROL DEVICES
000001-08	STANDARD SYMBOLS, ABBREVIATIONS AND PATTERNS
001006	DECIMAL OF AN INCH AND OF A FOOT
420001-10	PAVEMENT JOINTS
420701-03	PAVEMENT WELDED WIRE REINFORCEMENT
601001-05	PIPE UNDERDRAINS

NOTE:
 DISTRICT 6 OPERATIONS WILL BE REPOSNSIBLE FOR
 CLOSING THE RAMP, CONTACT JASON JONES
 (217)785-5306 AT LEAST 1 WEEK PRIOR TO BEGINING
 CONSTRUCTION.

STATE OF ILLINOIS DEPARTMENT OF TRANSPORTATION DIVISION OF HIGHWAYS DISTRICT 6	
EXAMINED	February 8 20 23
 ENGINEER OF OPERATIONS	
EXAMINED	February 8 20 23
 ENGINEER OF PROJECT IMPLEMENTATION	
EXAMINED	February 8 20 23
 ENGINEER OF PROGRAM DEVELOPMENT	

REV. - MS

0-02177-6027
 100% STATE
 LOGAN
 ROADWAY
 0006
 URBAN

CODE NO.	ITEM	UNIT	TOTAL QUANTITY	
20800150	TRENCH BACKFILL	CU YD	5	5
44200050	WELDED WIRE REINFORCEMENT	SQ YD	131	131
44201037	CLASS B PATCHES, TYPE IV, 15 INCH	SQ YD	131	131
44201299	DOWEL BARS 1 1/2"	EACH	31	31
44213200	SAW CUTS	FOOT	340	340
44213204	TIE BARS 3/4"	EACH	19	19
60108106	PIPE UNDERDRAIN, TYPE 1, 6"	FOOT	37	37
67100100	MOBILIZATION	L SUM	1	1
70100815	TRAFFIC OCONTROL AND PROTECTION, STANDARD 701446	L SUM	1	1
70107025	CHANGEABLE MESSAGE SIGN	CAL DAY	30	30
70200100	NIGHTTIME WORK ZONE LIGHTING	L SUM	1	1

MODEL D:\4\4\1\1
 FILE NAME: S:\CONTRACT\MAINT_CADD\72706 - IL 10 BRIDGE APPROACH REPAIR - LOGAN CO (4-28-2003)\PLANS\72706-11c-3-500.dgn

REV. - MS

188.0		CLASS B, 15 INCH	SAW CUTS	DOWEL BARS 1 1/2"	WELDED WIRE	TIE BARS
		TY IV			REINF.	3/4"
MILE	AREA	44201037	44213200	44201299	44200050	442123204
MARKER	(S.Y.)	(S.Y.)	(FT)	(EA.)	(S.Y.)	(EA.)
I-55 SOUTHBOUND						
I55/IL 10 OVERHEAD						
PATCH #1	81.0	81.0	190.0	16	81.0	11
PATCH #2	50.0	50.0	150.0	15	50.0	8

MODEL: D:\m\h\p\...
 FILE NAME: S:\CONTRACT\MANT_CAD\72706 - IL 10 BRIDGE APPROACH REPAIR - LOGAN.CO (4-30-2023)\PLANS\72706-01-A-SCHEMATIC.dwg

USER NAME = Timothy.Sharp	DESIGNED - _____	REVISED - _____
	DRAWN - _____	REVISED - _____
PLOT SCALE = 2.0000' / in.	CHECKED - _____	REVISED - _____
PLOT DATE = 2/7/2023	DATE - _____	REVISED - _____

**STATE OF ILLINOIS
DEPARTMENT OF TRANSPORTATION**

SCHEDULES	
SCALE: _____	SHEET ___ OF ___ SHEETS STA. _____ TO STA. _____

F.A.I. RTE.	SECTION	COUNTY	TOTAL SHEETS	SHEET NO.
55	D6 PATCHES 2023	LOGAN	8	4
CONTRACT NO. 72706			ILLINOIS FED. AID PROJECT	



LOCATION OF PROJECT
APPROACH SLAB

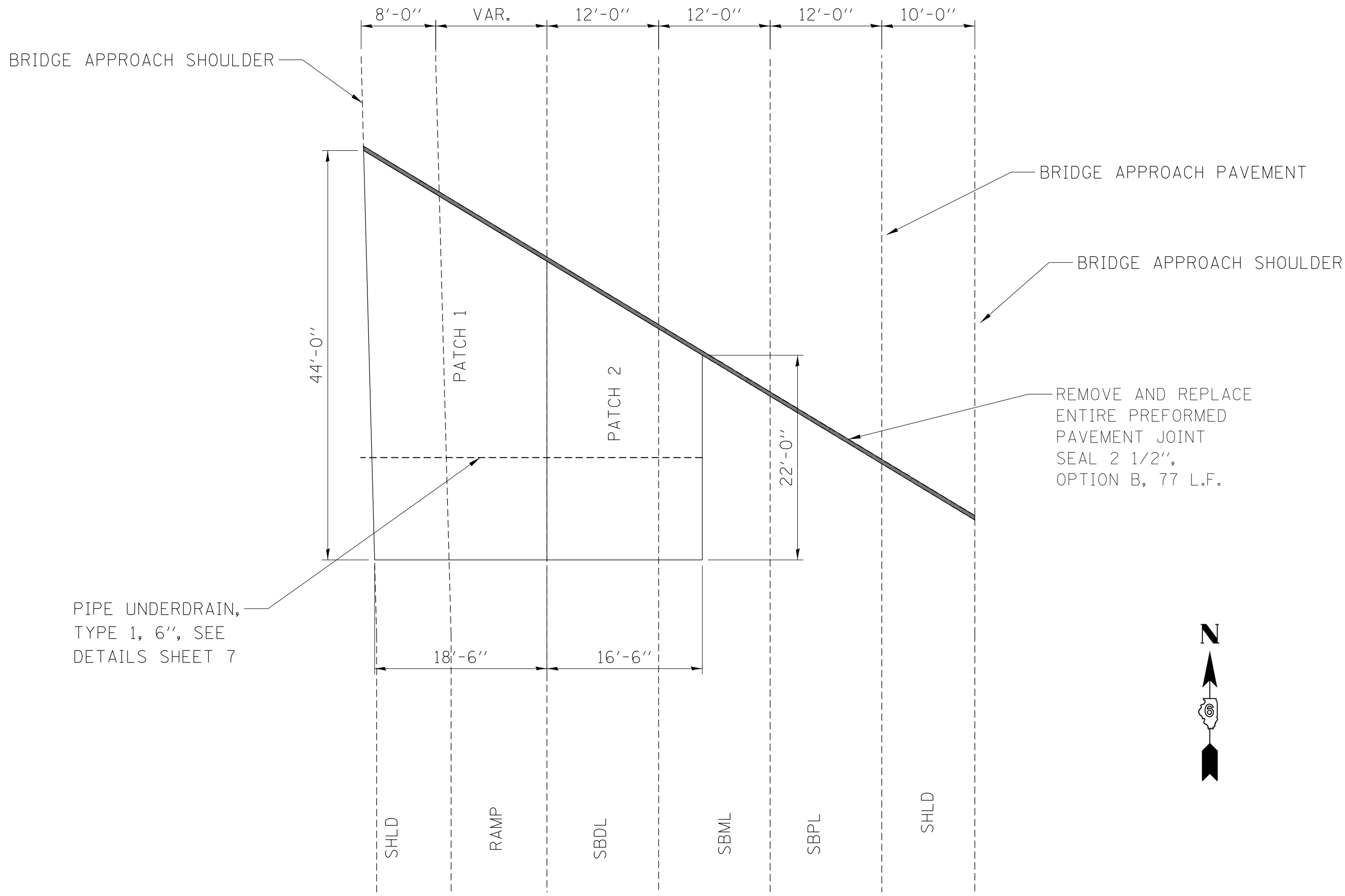
FILE NAME = S:\CONTRMAINT_CAD\72706 - IL 10 BRIDGE	USER NAME = Timothy.Sharp	DESIGNED - _____	REVISED - _____
APPROACH REPAIR - LOGAN CO (4-28-2003)\PLANS	DRAWN - _____	CHECKED - _____	REVISED - _____
Default	PLOT SCALE = 60.0000' / in.	DATE - _____	REVISED - _____
	PLOT DATE = 2/6/2023		

**STATE OF ILLINOIS
DEPARTMENT OF TRANSPORTATION**

LOCATION MAP

SCALE: _____ SHEET ____ OF ____ SHEETS STA. _____ TO STA. _____

F.A.I. RTE.	SECTION	COUNTY	TOTAL SHEETS	SHEET NO.
55	54-4PP	LOGAN	8	5
CONTRACT NO. 72706				
ILLINOIS FED. AID PROJECT				



MODEL: D:\p\h\p
 FILE NAME: S:\CONTRACT\MAINT_CADD\72706 - IL_10 BRIDGE APPROACH REPAIR - LOGAN CO (4-28-2003)\PLANS\72706-shld-cp-plan.dgn

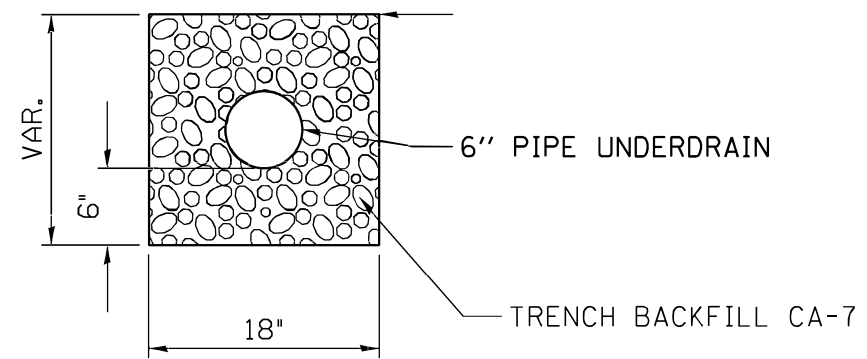
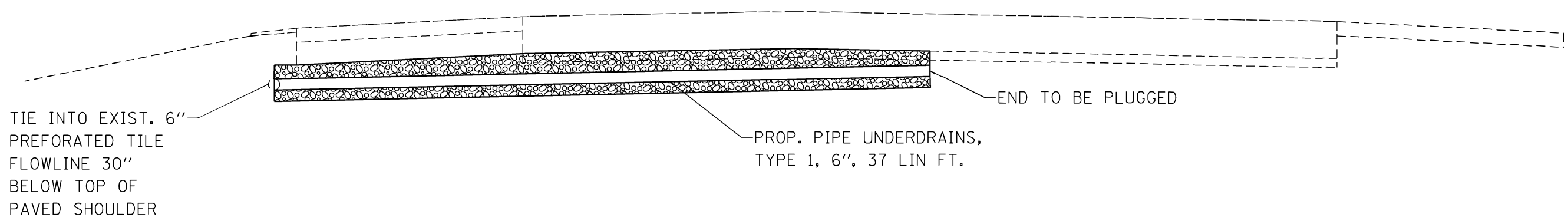
PIPE UNDERDRAIN,
 TYPE 1, 6", SEE
 DETAILS SHEET 7

USER NAME = Timothy,Sharp	DESIGNED - _____	REVISED - _____
DRAWN - _____	REVISIONS - _____	REVISIONS - _____
PLOT SCALE = 10,0000' / in.	CHECKED - _____	REVISIONS - _____
PLOT DATE = 2/15/2023	DATE - _____	REVISIONS - _____

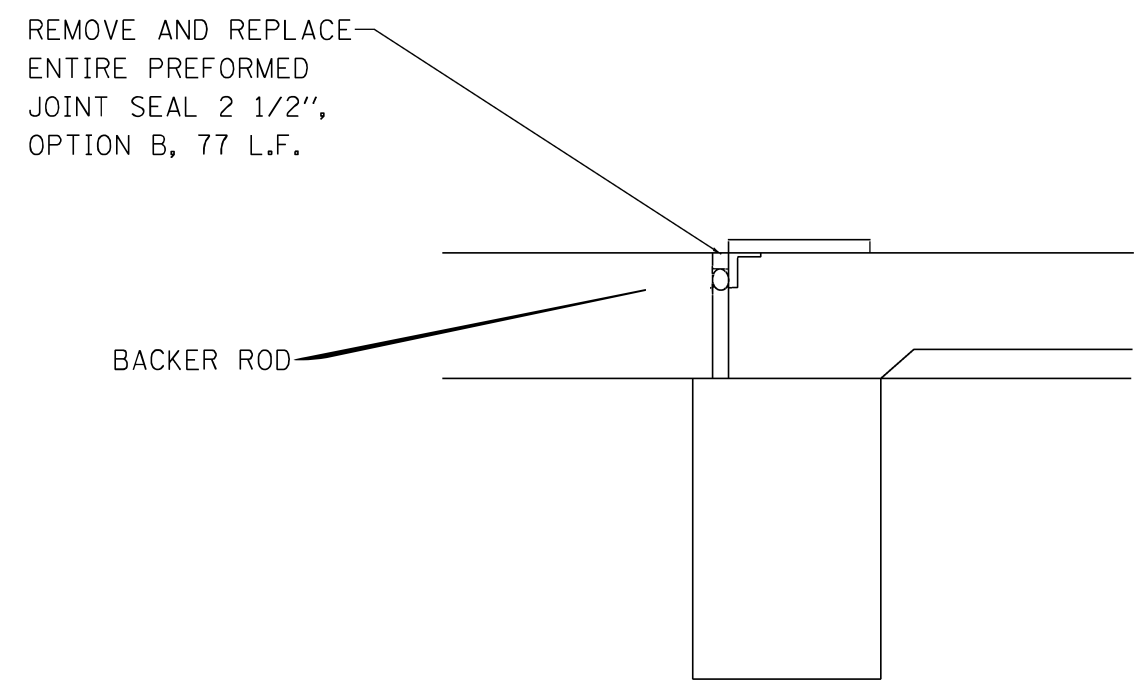
STATE OF ILLINOIS
DEPARTMENT OF TRANSPORTATION

PLAN
 SCALE: _____ SHEET ____ OF ____ SHEETS STA. _____ TO STA. _____

F.A.I. RTE.	SECTION	COUNTY	TOTAL SHEETS	SHEET NO.
55	54-4PP	LOGAN	8	6
CONTRACT NO. 72706				
ILLINOIS FED. AID PROJECT				



THE COST OF ALL FILTER MATERIAL, BENDS AND ELBOWS REQUIRED SHALL BE INCLUDED IN THE CONTRACT PRICE PER LIN. FT. OF PIPE UNDERDRAIN, OF THE DIAMETER SPECIFIED.



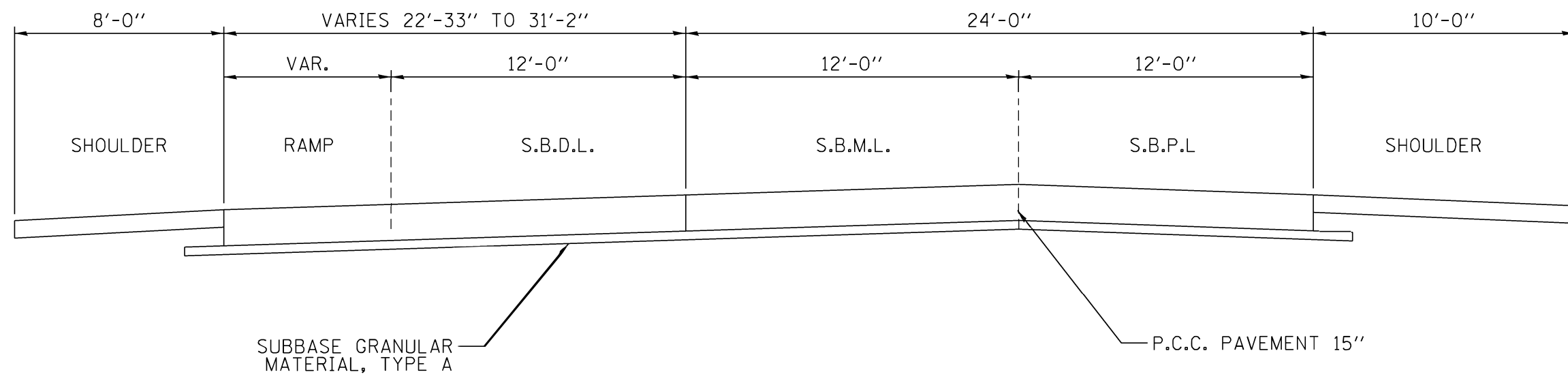
MODEL: D:\64\11\... FILE NAME: S:\CONTRMANT CAD\72706 - IL 10 BRIDGE APPROACH REPAIR - LOGAN CO (4-28-2003)\PLANS\72706-sh-7-detail.dgn

USER NAME = Timothy.Sharp	DESIGNED - _____	REVISED - _____
	DRAWN - _____	REVISED - _____
PLOT SCALE = 5.0000' / in.	CHECKED - _____	REVISED - _____
PLOT DATE = 2/15/2023	DATE - _____	REVISED - _____

**STATE OF ILLINOIS
DEPARTMENT OF TRANSPORTATION**

DETAILS		F.A.I. RTE.	SECTION	COUNTY	TOTAL SHEETS	SHEET NO.
		55	54-4PP	LOGAN	8	7
SCALE: _____		SHEET _____ OF _____ SHEETS		STA. _____ TO STA. _____		CONTRACT NO. 72706

ILLINOIS		FED. AID PROJECT	
----------	--	------------------	--



I 55 BRIDGE
 APPROACH SLAB
 SOUTHBOUND LANE

REV. - MS

MODEL: D:\p1\h\1
 FILE NAME: S:\CONTRACT\MAINT CAD\72706 - ILLINOIS BRIDGE APPROACH REPAIR - LOGAN CO (4-30-2003)\PLANS\72706-8-typical.dgn

USER NAME = Timothy.Sharp	DESIGNED - _____	REVISED - _____
	DRAWN - _____	REVISED - _____
PLOT SCALE = 5.0000' / in.	CHECKED - _____	REVISED - _____
PLOT DATE = 2/5/2023	DATE - _____	REVISED - _____

STATE OF ILLINOIS
DEPARTMENT OF TRANSPORTATION

TYPICALS		F.A.I. RTE.	SECTION	COUNTY	TOTAL SHEETS	SHEET NO.
		55	54-4PP	LOGAN	8	8
SCALE: _____		SHEET _____ OF _____ SHEETS		STA. _____ TO STA. _____		CONTRACT NO. 72706
ILLINOIS FED. AID PROJECT						