

STATE OF ILLINOIS
DEPARTMENT OF TRANSPORTATION

F.A.P. RTE.	SECTION	COUNTY	TOTAL SHEETS	SHEET NO.
663	HANLEY PARKING 2023	SANGAMON	90	1
		ILLINOIS	CONTRACT NO. 72403	

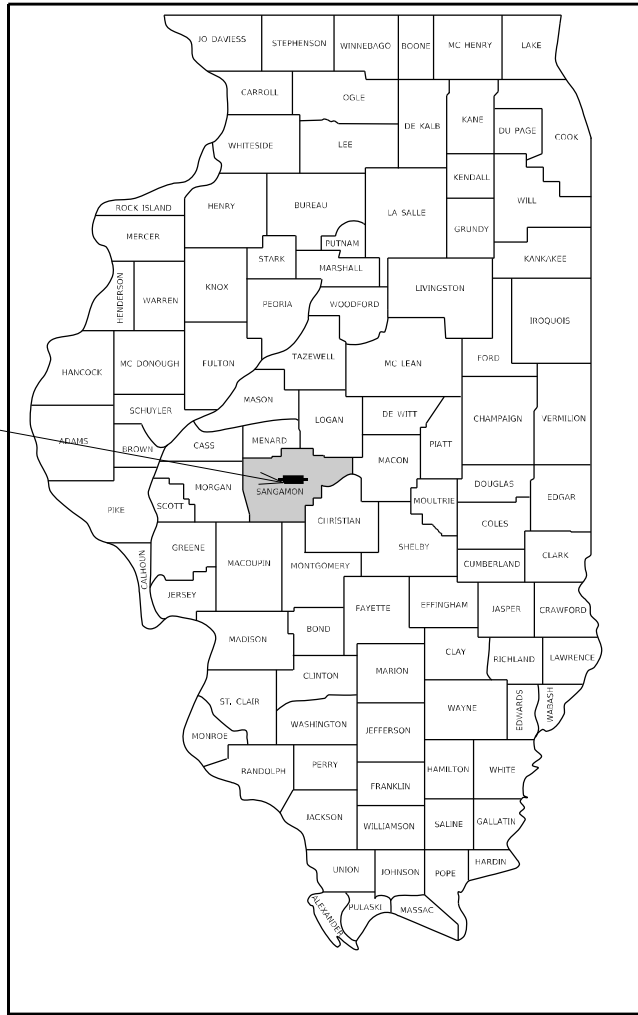
D-96-081-20

INDEX OF SHEETS
SEE SHEET 2 FOR "INDEX OF SHEETS"

HIGHWAY STANDARDS
SEE SHEET 2 FOR "HIGHWAY STANDARDS"

PROPOSED SITE PLANS

FAP ROUTE 663 (D6 AND CENTRAL HDQT) SECTION HANLEY PARKING 2023 SITE DEVELOPMENT SANGAMON COUNTY

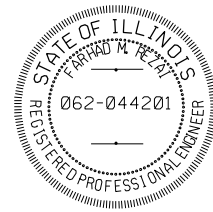


SANGAMON



C-96-012-23

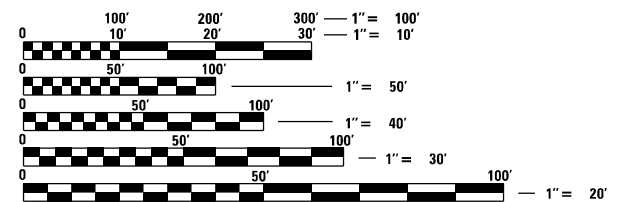
[Signature]
FARHAD REZAI
ILLINOIS P.E. 062.044201
EXPIRES 11/30/2023
P.E. SIGNATURE AND SEAL APPLY TO SHEETS 1 TO 62
DATE 03/02/2023



[Signature]
FARHAD REZAI
ILLINOIS S.E. 081.004991
EXPIRES 11/30/2024
S.E. SIGNATURE AND SEAL APPLY TO SHEETS 63 TO 79
DATE 03/02/2023

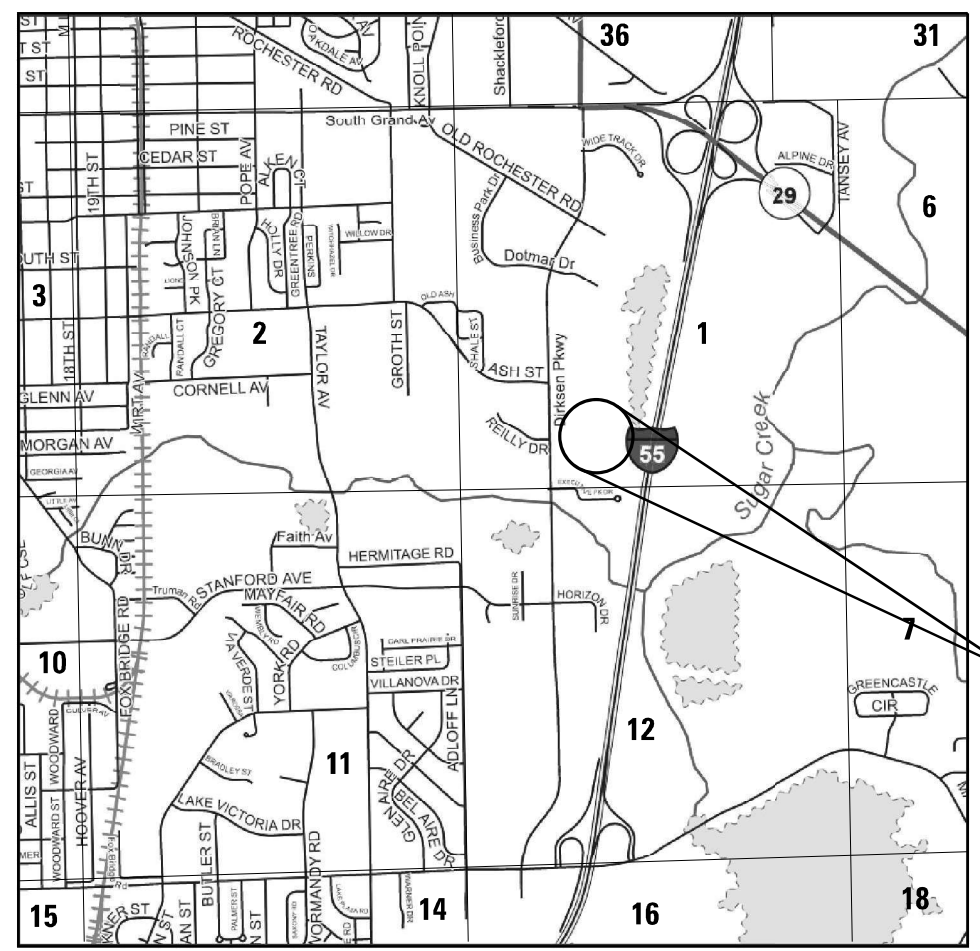


RME Rubinos & Mesia Engineers, Inc.
200 S. Michigan Avenue, Suite 1500, Chicago, IL 60604-2482



FULL SIZE PLANS HAVE BEEN PREPARED USING STANDARD ENGINEERING SCALES, REDUCED SIZED PLANS WILL NOT CONFORM TO STANDARD SCALES. IN MAKING MEASUREMENTS ON REDUCED PLANS, THE ABOVE SCALES MAY BE USED.

J.U.L.I.E.
JOINT UTILITY LOCATION INFORMATION FOR EXCAVATORS
1-800-892-0123
OR 811



PROJECT LOCATION:
2300 S. DIRKSEN PARKWAY
SPRINGFIELD, ILLINOIS
62764

LOCATION MAP

APPROXIMATE SCALE = 1" = 1,320'

PROJECT ENGINEER JAY WAVERING: 217-785-9046
PROJECT MANAGER

CONTRACT NO. 72403

STATE OF ILLINOIS
DEPARTMENT OF TRANSPORTATION
DIVISION OF HIGHWAYS

SUBMITTED March 2, 2023

[Signature] REGIONAL ENGINEER
March 24, 2023

[Signature] ENGINEER OF DESIGN AND ENVIRONMENT
March 24, 2023

[Signature] DIRECTOR OF HIGHWAYS PROJECT IMPLEMENTATION

PRINTED BY THE AUTHORITY
OF THE STATE OF ILLINOIS

INDEX OF SHEETS

SHEET NO.	DESCRIPTION
1	COVER SHEET
2	INDEX OF SHEETS AND HIGHWAY STANDARDS
3	GENERAL NOTES
4-10	SUMMARY OF QUANTITIES
11-13	SCHEDULE OF QUANTITIES
14	SITE KEY PLAN
15-20	REMOVAL PLAN
21-22	ALIGNMENT CONTROL
23	TYPICAL SECTIONS
24	ACCESS ROADS PROFILE
25-30	PROPOSED SITE PLAN
31-32	PROPOSED SITE PLAN PARKING LOT
33-38	UTILITY AND DRAINAGE PLAN
39	DRAINAGE SCHEDULE
40-42	DRAINAGE PROFILE
43-48	GRADING AND JOINTING PLAN
49-54	EROSION CONTROL PLAN
55-59	PAVEMENT MARKING AND SIGNING
60-62	SIDEWALK DETAILS
63-79*	STAIR AND RAMP STRUCTURAL DETAIL
80-88	LIGHTING PLANS

* 79A-79B SOIL BORINGS

HIGHWAY STANDARDS

STD NO.	DESCRIPTION
000001-08	STANDARD SYMBOLS, ABBREVIATIONS AND PATTERNS
001001-02	AREAS OF REINFORCING BARS
280001-07	TEMPORARY EROSION CONTROL SYSTEMS
420001-10	PAVEMENT JOINTS
420101-07	24' (7.2 M) JOINTED PCC PAVEMENT
424001-11	PERPENDICULAR CURB RAMPS FOR SIDEWALKS
424016-05	MID-BLOCK CURB RAMPS FOR SIDEWALKS
424026-03	ENTRANCE / ALLEY PEDESTRIAN CROSSINGS
424031-02	MEDIAN PEDESTRIAN CROSSING
542301-03	PRECAST REINORCED CONCRETE FLARED END SECTION
602001-02	CATCH BASIN, TYPE A
602301-04	INLET, TYPE A
602306-03	INLET, TYPE B
602401-07	PRECAST MANHOLE, TYPE A, 4' (1.22 M) DIAMETER
602402-03	PRECAST MANHOLE, TYPE A, 5' (1.52 M) DIAMETER
602406-11	PRECAST MANHOLE, TYPE A, 6' (1.83 M) DIAMETER
602601-06	PRECAST REINFORCED CONCRETE FLAT SLAB TOP
602701-02	MANHOLE STEPS
604001-05	FRAME AND LIDS, TYPE 1
604006-05	FRAME ANS GRATE, TYPE 3
606001-08	CONCRETE CURB TYPE B AND COMBINATION CONCRETE CURB AND GUTTER
606301-04	PC CONCRETE ISLANDS AND MEDIANS
701801-06	SIDEWALK, CORNER OR CROSSWALK CLOSURE
701901-08	TRAFFIC CONTROL DEVICES
720001-01	SIGN PANEL MOUNTING DETAILS
720006-04	SIGN PANEL ERECTION DETAILS
728001-01	TELESCOPING STEEL SIGN SUPPORT
731001-01	BASE FOR TELESCOPING STEEL SIGN SUPPORT
780001-05	TYPICAL PAVEMENT MARKINGS
821101-02	LUMINAIRE WIRING IN POLE
825011-04	LIGHTING CONTROLER BASE MOUNTED, 240V
836001-04	LIGHT POLE FOUNDATION

001006 DECIMAL OF AN INCH AND OF A FOOT
805001-01 ELECTRICAL SERVICE INSTALLATION DETAILS

REV. - MS

STATE OF ILLINOIS DEPARTMENT OF TRANSPORTATION DIVISION OF HIGHWAYS DISTRICT 6	
EXAMINED	January, 31 20 23 <i>[Signature]</i> ENGINEER OF OPERATIONS
EXAMINED	January, 31 20 23 <i>[Signature]</i> ENGINEER OF PROJECT IMPLEMENTATION
EXAMINED	February, 22 20 23 <i>[Signature]</i> ENGINEER OF PROGRAM DEVELOPMENT

MODEL: Default
FILE NAME: P:\Rm093120\W0-08\Design\DWG\Civil\ADD_Sheets\General\Index.dgn



USER NAME = DBIakaj	DESIGNED - AW _____	REVISED - _____
	DRAWN - DB _____	REVISED - _____
PLOT SCALE = 600.0000' / ft.	CHECKED - PH _____	REVISED - _____
PLOT DATE = 2/28/2023	DATE - 01/28/2023	REVISED - _____

**STATE OF ILLINOIS
DEPARTMENT OF TRANSPORTATION**

**INDEX OF SHEETS
AND HIGHWAY STANDARDS**

SCALE: _____ SHEET ____ OF ____ SHEETS STA. _____ TO STA. _____

F.A.P. RTE.	SECTION	COUNTY	TOTAL SHEETS	SHEET NO.
663	HANLEY PARKING 2023	SANGAMON	90	02
			CONTRACT NO.	72403
ILLINOIS FED. AID PROJECT				

GENERAL NOTES

1. THE HORIZONTAL SURVEY DATUM IS ILLINOIS STATE PLANE COORDINATES, WEST ZONE NAD 83 (CORS 96). THE SURVEY DATUM USED FOR ELEVATION IS NAVD 88.
2. FOR STABILIZATION, ALL TYPE III BARRICADES SHALL REQUIRE A MINIMUM OF FOUR SAND BAGS PER BARRICADE.
3. CONTRACTOR SHALL PROVIDE ADEQUATE DRAINAGE AND EROSION PROTECTION FOR THE DURATION OF THIS PROJECT. IT SHALL BE THE CONTRACTORS RESPONSIBILITY TO MAINTAIN DRAINAGE FLOWS AT ALL TIMES DURING THE PROJECT. METHODS USED BY THE CONTRACTOR SHALL BE SUBJECT TO APPROVAL OF THE ENGINEER. LAYOUT OF EROSION CONTROL ITEMS MAY BE VARIED IN THE FIELD AS DIRECTED BY THE ENGINEER TO SUIT GROUND CONDITIONS.
4. ALL DISTURBED AREAS WITHIN THE ROW AND EASEMENTS SHALL BE SEEDED, FERTILIZED, AND MULCHED AS SHOWN IN THE PLANS, SPECIAL PROVISIONS, AND AS DIRECTED BY THE ENGINEER. SEEDING WILL NOT BE PERMITTED AT ANY TIME WHEN THE GROUND IS FROZEN, WET, OR IN AN UNTILLABLE CONDITION. FERTILIZER NUTRIENTS SHALL BE APPLIED TO BOTH THE SEEDED AREAS AND THE AREAS COVERED WITH EROSION CONTROL BLANKET. DO NOT INCLUDE MULCH OR EMULSIFIED ASPHALT ON EROSION CONTROL BLANKET AREAS.
5. GRADING SHALL BE DONE BY HAND AROUND LIGHT POLES, UTILITY POLES, SIGN POSTS, SHRUBS, TREES, OR OTHER NATURAL OR MAN-MADE OBJECTS WHERE SHALLOW CUTS OR FILLS ARE ADJACENT TO THE ITEMS. IT IS THE INTENT THAT THE LIMITS OF CONSTRUCTION BE SUCH AS TO PRESERVE IN THE ORIGINAL STATE AS MUCH AREA OF TEMPORARY EASEMENTS AS POSSIBLE. THE DECISION AS TO ITEMS TO REMAIN IN PLACE SHALL BE AS DIRECTED BY THE ENGINEER. THIS WORK WILL NOT BE PAID FOR SEPARATELY, BUT SHALL BE CONSIDERED INCLUDED IN THE CONTRACT UNIT PRICE PER CUBIC YARD FOR EARTH EXCAVATION, AND NO ADDITIONAL COMPENSATION WILL BE ALLOWED.
6. ALL DRAINAGE STRUCTURES SHALL BE FREE OF SILT, DEBRIS, OR OTHER SUCH OBSTRUCTIONS AT THE TIME OF FINAL INSPECTION. THE CLEANING OF THESE DRAINAGE STRUCTURES SHALL BE INCLUDED IN THE VARIOUS PAY ITEMS INVOLVED.
7. THE CONTRACTOR SHALL BE RESPONSIBLE FOR CONTACTING LOCAL AGENCIES MAINTAINING SANITARY SEWERS, WATER MAINS, AND STREET LIGHTS TO VERIFY THE MATERIALS AND METHODS ALLOWED FOR THE ADJUSTMENT, RELOCATION OR EXTENSION OF THE UTILITY INVOLVED.
8. ABANDONED UNDERGROUND UTILITIES THAT CONFLICT WITH CONSTRUCTION SHALL BE DISPOSED OF OUTSIDE THE LIMITS OF THE RIGHT OF WAY ACCORDING TO ARTICLE 202.03 OF THE STANDARD SPECIFICATIONS AND AS DIRECTED BY THE ENGINEER. THIS WORK WILL NOT BE PAID FOR SEPARATELY BUT SHALL BE INCLUDED IN THE COST OF EARTH EXCAVATION AND NO ADDITIONAL COMPENSATION WILL BE ALLOWED.
9. THE CONTRACTOR SHALL INSTALL LIGHT POLES AT THE LOCATIONS INDICATED ON THE PLANS, MAINTAINING ADEQUATE CLEARANCE FROM OVERHEAD UTILITY LINES. THE CONTRACTOR SHALL BE RESPONSIBLE FOR VERIFYING CLEARANCES PER THE NATIONAL ELECTRICAL SAFETY CODE AND/OR THE REQUIREMENTS OF THE UTILITY COMPANIES.

APPLICATION RATES

ALL BITUMINOUS ITEMS.....	= 112 LBS / SQ YD / INCH
BITUMINOUS MATERIALS (TACK COAT) BTW LIFTS.....	= 0.025 LBS / SQ FT
ALL AGGREGATE ITEMS FOR ROADWAY.....	= 1.80 TONS / CU YD
STONE DUMPED RIPRAP.....	= 1.50 TONS / CU YD
NITROGEN FERTILIZER NUTRIENT.....	= 90 LBS / ACRE
PHOSPHORUS FERTILIZER NUTRIENT.....	= 90 LBS / ACRE
POTASSIUM FERTILIZER NUTRIENT.....	= 90 LBS / ACRE
TEMPORARY EROSION CONTROL SEEDING.....	= 100 LBS / ACRE

MIXTURE REQUIREMENTS

MIXTURE USE(S):	HMA BINDER COURSE (ALL LIFTS)	HMA SURFACE COURSE (TOP LIFT)
AC/PG	SBS PG 64-28	SBS PG 70-28
DESIGN AIR VOIDS	4.0% @ N50	4.0% @ N50
MIXTURE COMPOSITION (GRADATION MIXTURE)	IL-19.0	IL-9.5FG
FRICTION AGGREGATE	N/A	MIX C
QUALITY MANAGEMENT	QC/QA	QC/QA
SUBLOT SIZE	N/A	N/A
MTD	NO	NO

ENGINEER DENSITY VERIFICATION FOR BINDER SHALL UTILIZE CORES.
ENGINEER DENSITY VERIFICATION FOR SURFACE SHALL UTILIZE AN UNCORRELATED NUCLEAR GAUGE.

MODEL: D:\draft FILE NAME: P:\Rm093120\WP-08\Design\Drawn\Cliff\CADD_Sheets\General\Gennotes.dgn



USER NAME = DBIakaJ	DESIGNED - AW_____	REVISED - _____
	DRAWN - DB_____	REVISED - _____
PLOT SCALE = 600,0000 ' / ft.	CHECKED - PH_____	REVISED - _____
PLOT DATE = 3/1/2023	DATE - 01/26/2023	REVISED - _____

**STATE OF ILLINOIS
DEPARTMENT OF TRANSPORTATION**

GENERAL NOTES

SCALE: _____ SHEET ___ OF ___ SHEETS STA. _____ TO STA. _____

F.A.P. RTE.	SECTION	COUNTY	TOTAL SHEETS	SHEET NO.
663	HANLEY PARKING 2023	SANGAMON	90	03
CONTRACT NO.			72403	
		ILLINOIS	FED. AID PROJECT	

100% STATE				PPS # 6-01601-9997	
				CONSTRUCTION TYPE CODE	
CODE NO.	ITEM	UNIT	TOTAL QUANTITY	ACCESS ROAD 1, 2 AND D-6 PARKING LOT	LIGHTING
				0004	0021
				URBAN	URBAN
20200100	EARTH EXCAVATION	CU YD	10,080.00	10,080.00	
20800150	TRENCH BACKFILL	CU YD	1,250.00	1,250.00	
21101505	TOPSOIL EXCAVATION AND PLACEMENT	CU YD	857.00	857.00	
25000100	SEEDING, CLASS 1	ACRE	1.60	1.60	
25000400	NITROGEN FERTILIZER NUTRIENT	POUND	144.00	144.00	
25000500	PHOSPHORUS FERTILIZER NUTRIENT	POUND	144.00	144.00	
25000600	POTASSIUM FERTILIZER NUTRIENT	POUND	144.00	144.00	
25100125	MULCH, METHOD 3	ACRE	1.60	1.60	
25100630	EROSION CONTROL BLANKET	SQ YD	7,705.00	7,705.00	
28000250	TEMPORARY EROSION CONTROL SEEDING	POUND	160.00	160.00	
28000400	PERIMETER EROSION BARRIER	FOOT	1,170.00	1,170.00	
28000500	INLET AND PIPE PROTECTION	EACH	34.00	34.00	
31101400	SUBBASE GRANULAR MATERIAL, TYPE B 6"	SQ YD	10,543.00	10,543.00	
40600370	LONGITUDINAL JOINT SEALANT	FOOT	2,800.00	2,800.00	
40603230	POLYMERIZED HOT-MIX ASPHALT BINDER COURSE, IL-19.0, N50	TON	1,158.00	1,158.00	

MODEL: Default
 FILE NAME: P:\R093120\W0-08\Design\Draw\CADD_Sheet\General_S00.dgn



USER NAME = DBIakaj	DESIGNED - AW _____	REVISED - _____
	DRAWN - DB _____	REVISED - _____
PLOT SCALE = 600.0000' / ft.	CHECKED - PH _____	REVISED - _____
PLOT DATE = 3/1/2023	DATE - 01/28/2023	REVISED - _____

**STATE OF ILLINOIS
DEPARTMENT OF TRANSPORTATION**

SUMMARY OF QUANTITIES

SCALE: NONE SHEET 1 OF 7 SHEETS STA. _____ TO STA. _____

F.A.P. RTE.	SECTION	COUNTY	TOTAL SHEETS	SHEET NO.
663	HANLEY PARKING 2023	SANGAMON	90	04
			CONTRACT NO. 72403	
ILLINOIS FED. AID PROJECT				

100% STATE				PPS # 6-01601-9997	
				CONSTRUCTION TYPE CODE	
CODE NO.	ITEM	UNIT	TOTAL QUANTITY	ACCESS ROAD 1, 2 AND D-6 PARKING LOT	LIGHTING
				0004	0021
				URBAN	URBAN
50900805	PEDESTRIAN RAILING	FOOT	254.00	254.00	
50901760	PIPE HANDRAIL	FOOT	296.00	296.00	
54213693	PRECAST REINFORCED CONCRETE FLARED END SECTIONS 48"	EACH	1.00	1.00	
550A0340	STORM SEWERS, CLASS A, TYPE 2 12"	FOOT	576.00	576.00	
550A0360	STORM SEWERS, CLASS A, TYPE 2 15"	FOOT	274.00	274.00	
550A0380	STORM SEWERS, CLASS A, TYPE 2 18"	FOOT	267.00	267.00	
550A0410	STORM SEWERS, CLASS A, TYPE 2 24"	FOOT	386.00	386.00	
550A0430	STORM SEWERS, CLASS A, TYPE 2 30"	FOOT	60.00	60.00	
550A0450	STORM SEWERS, CLASS A, TYPE 2 36"	FOOT	886.00	886.00	
550A0480	STORM SEWERS, CLASS A, TYPE 2 48"	FOOT	55.00	55.00	
55100100	STORMSEWER REMOVAL 4"	FOOT	7.00	7.00	
55100300	STORM SEWER REMOVAL 8"	FOOT	144.00	144.00	
55100500	STORM SEWER REMOVAL 12"	FOOT	188.00	188.00	
55100700	STORM SEWER REMOVAL 15"	FOOT	71.00	71.00	
55100900	STORMSEWER REMOVAL 18"	FOOT	54.00	54.00	

MODEL: Default
FILE NAME: P:\R093120\W0-08\Design\DWG\Civil\CADD_Sheet\General\500.dgn



USER NAME = DBIakaj	DESIGNED - AW	REVISED -
	DRAWN - DB	REVISED -
PLOT SCALE = 600.0000' / ft.	CHECKED - PH	REVISED -
PLOT DATE = 3/1/2023	DATE - 01/28/2023	REVISED -

**STATE OF ILLINOIS
DEPARTMENT OF TRANSPORTATION**

SUMMARY OF QUANTITIES

SCALE: NONE SHEET 3 OF 7 SHEETS STA. TO STA.

F.A.P. RTE.	SECTION	COUNTY	TOTAL SHEETS	SHEET NO.
663	HANLEY PARKING 2023	SANGAMON	90	06
			CONTRACT NO. 72403	
ILLINOIS FED. AID PROJECT				

SEEDING/EROSION CONTROL SCHEDULE												
LOCATION	AREA	21101505 TOPSOIL EXCAVATION AND PLACEMENT	25000100 SEEDING, CLASS 1	25000400 NITROGEN FERTILIZER NUTRIENT	25000500 PHOSPHOROUS FERTILIZER NUTRIENT	2500600 POTASSIUM FERTILIZER NUTRIENT	25100125 MULCH METHOD 3	25100630 EROSION CONTROL BLANKET	28000250 TEMPORARY EROSION CONTROL SEEDING	28000400 PERIMETER EROSION BARRIER	28000500 INLET AND PIPE PROTECTION	
SANGAMON COUNTY	SQ FT	CU YD	ACRE	POUND	POUND	POUND	ACRE	SQ YD	POUND	FOOT	EACH	
ACCESS ROAD 1, 2 AND D-6 PARKING LOT												
500+00.00	504+00.00	12290.21	151.73	0.28	25.4	25.4	25.4	0.28	1365.6	28.20	0	9
504+00.00	1002+00.00	10886.31	134.40	0.25	22.5	22.5	22.5	0.25	1209.6	25.00		10
1002+00.00	1004+50.00	9836.53	121.44	0.23	20.3	20.3	20.3	0.23	1092.9	22.60	116.8	4
1004+50.00	1006+50.00	8787.83	108.49	0.20	18.2	18.2	18.2	0.20	976.4	20.20	200	2
1006+50.00	1009+97.16	16109.64	198.88	0.37	33.3	33.3	33.3	0.37	1790.0	37.00	666.9	9
SHEET NO. 54		11429.97	141.11	0.26	23.6	23.6	23.6	0.26	1270.0	26.20	186.3	0
TOTAL		69340.51	856.05	1.59	143.30	143.30	143.30	1.59	7704.50	159.20	1170.00	34
FINAL QTY		69341	857	1.6	144	144	144	1.6	7705	160	1170	34

PAVING SCHEDULE								
LOCATION	PAVEMENT AREA	SUBBASE AREA	31101400 SUBBASE GRANULAR MATERIAL, TYPE B 6"	40600370 LONGITUDINAL JOINT SEALANT	40603230 POLYMERIZED HOT-MIX ASPHALT BINDER COURSE, IL19.0,N50	40604100 POLYMERIZED HOT- MIX ASPHALT SURFACE COURSE, IL-9.5FG, MIX "C",N50	40600290 BITUMINOUS MATERIALS (TACK COAT)	42000211 PORTLAND CEMENT CONCRETE PAVEMENT 7 1/2" (JOINTED)
SANGAMON COUNTY	SQ FT	SQ FT	SQ YD	FOOT	TON	TON	POUND	SQ YD
ACCESS ROAD 1, 2 AND D-6 PARKING LOT								
500+75.90	504+00.00	39,185.40	39,185.40	4353.90	1650.00	773.50	290.10	777.00
504+00.00	1002+00.00	27,257.27	27,257.27	3028.60	1150.00	384.20	144.10	385.90
1002+00.00	1004+50.00	8,358.21	8,358.21	928.70				765.44
1004+50.00	1006+50.00	6,033.32	6,033.32	670.40				533.33
1006+50.00	1009+97.16	12,383.35	12,700.95	1411.20				1,101.26
SHEET NO. 30		1,343.43	149.30					
TOTAL		93,217.55	94,878.58	10,542.10	2800.00	1,157.70	434.20	1,162.90
FINAL QTY		93218	94879	10543	2800	1158	435	1163

42400100 PORTLAND CEMENT CONCRETE SIDEWALK 4 INCH					
ACCESS ROAD 1, 2 AND D-6 PARKING LOT					
STA	STA	LT/RT	LENGTH	WIDTH	SQ FT
501+30.67	504+00.00	LT	268.72	9.83	2,642.6
503+05.53	503+12.36	LT	32.83	6.83	214.3
504+00.00	505+65.49	LT	171.02	9.83-10.00	1,690.7
1000+56.32	1002+00.00	RT	144.55	10.00	1,535.3
1002+00.00	1003+27.18	RT	131.18	10.00	1,311.9
1003+72.32	1004+50.00	RT	77.68	10.00	764.2
1004+50.00	1006+50.00	RT	200.00	10.00	2,000.0
1006+50.00	1006+95.60	RT	45.60	10.00	510.6
1006+70.59	1006+78.59	LT	30.00	8.00	240.0
1007+18.79	1009+95.79	RT	277.00	10.00	4,850.6
1009+56.84	1009+90.18	LT	52.00	10.00	551.6
1009+77.25	1009+87.25	LT/RT	18.00	10.00	182.8
SHEET NO. 30		42.62	9.34-10.62	416.8	
TOTAL					16,911.4
FINAL QTY					16,912

42400800 DETECTABLE WARNINGS					
ACCESS ROAD 1, 2 AND D-6 PARKING LOT					
STA	OFFSET	LT/RT	LENGTH	WIDTH	SQ FT
503+03.95	14.58	RT	10.0	2.0	20.0
503+03.95	14.58	LT	10.0	2.0	20.0
503+03.95	22.42	LT	10.0	2.0	20.0
503+04.92	73.00	LT	6.8	2.0	13.7
503+04.92	97.00	LT	6.8	2.0	13.7
1000+55.45	14.61	LT	10.0	2.0	20.0
1000+55.45	14.61	RT	10.0	2.0	20.0
1003+20.34	20.00	RT	10.0	2.0	20.0
1003+77.16	20.00	RT	10.0	2.0	20.0
1006+70.59	14.58	LT	8.0	2.0	16.0
1006+70.59	14.58	RT	8.0	2.0	16.0
1006+90.05	20.00	RT	10.0	2.0	20.0
1007+22.81	20.00	RT	10.0	2.0	20.0
1009+64.90	21.84	LT	10.0	2.0	20.0
1009+64.90	21.84	RT	10.0	2.0	20.0
1009+77.25	4.20	LT	10.0	2.0	20.0
1009+77.25	4.20	RT	10.0	2.0	20.0
TOTAL					319.3
FINAL QTY					320

50100100 REMOVAL OF EXISTING STRUCTURES			
ACCESS ROAD 1, 2 AND D-6 PARKING LOT			
STA	OFFSET	LT/RT	EACH
503+08.45	0.35	RT	1
504+23.04	4.94	LT	1
1007+09.45	22.15	LT	1
1007+20.66	22.01	LT	1
TOTAL			4

54213693 PRECAST REINFORCED CONCRETE FLARED END SECTIONS 48"			
ACCESS ROAD 1, 2 AND D-6 PARKING LOT			
STA	OFFSET	LT/RT	EACH
SHEET NO. 38			1
TOTAL			1

44000100 PAVEMENT REMOVAL				
ACCESS ROAD 1, 2 AND D-6 PARKING LOT				
STA	STA	LT/RT	SQ FT	SQ YD
504+32.60	505+02.85	LT/RT	10262.75	1,140.3
1003+42.15	1004+50.00	LT	997.66	110.9
1004+50.00	1004+83.11	LT	119.00	13.2
1005+84.67	1006+50.00	LT	1,212.47	134.7
1006+50.00	1009+99.03	LT/RT	15,695.24	1,743.9
SUBTOTAL				3,143.0
FINAL QTY				3,144

44000200 DRIVEWAY PAVEMENT REMOVAL				
ACCESS ROAD 1, 2 AND D-6 PARKING LOT				
STA	STA	LT/RT	SQ FT	SQ YD
502+14.81	502+44.63	LT	977.28	108.6
502+95.29	504+00.00	LT	523.57	58.2
504+00.00	504+49.22	LT	349.1	38.8
504+04.63	504+46.71	LT/RT	613.18	68.1
TOTAL				273.7
FINAL QTY				274

44000300 CURB REMOVAL			
ACCESS ROAD 1, 2 AND D-6 PARKING LOT			
STA	STA	LT/RT	FOOT
504+27.41	504+31.99	RT	9.5
504+36.03	504+47.43	LT	13.5
1007+60.11	1007+64.39	LT	8.3
1007+66.51	1007+70.86	LT	8.6
TOTAL			39.9
FINAL QTY			40

44000500 COMBINATION CURB AND GUTTER REMOVAL			
ACCESS ROAD 1, 2 AND D-6 PARKING LOT			
STA	STA	LT/RT	FOOT
504+30.34	504+57.58	LT/RT	224.0
504+83.13	505+05.41	LT/RT	188.0
1003+34.38	1004+50.00	LT	150.2
1004+50.00	1004+83.11	LT	34.7
1005+81.97	1006+50.00	LT	79.0
1006+50.00	1007+37.77	LT/RT	103.5
1007+07.08	1007+96.30	LT	189.0
1007+50.35	1009+97.16	RT	371.0
1008+09.94	1008+74.21	LT	68.0
1009+00.93	1009+97.16	LT/RT	235.0
TOTAL			1,642.4
FINAL QTY			1,643

44000600 SIDEWALK REMOVAL					
ACCESS ROAD 1, 2 AND D-6 PARKING LOT					
STA	OFFSET	LT/RT	LENGTH	WIDTH	SQ FT
504+03.96	33.73	LT	24.51	4.85	118
504+29.37	1.51	LT	125.00	6.00	739
1007+60.41	27.15	RT	320.00	6.7-10.0	2163
1009+86.01	0.00	LT/RT	86.00	9.0-10.0	847
TOTAL					3,867.28
FINAL QTY					3,868

550A0340 STORM SEWERS, CLASS A, TYPE 2 12"					
ACCESS ROAD 1, 2 AND D-6 PARKING LOT					
STA	OFFSET	STA	OFFSET	LT/RT	FOOT
501+32.27	14.00	501+50.75	86.00	LT/RT	102
502+89.70	14.00	503+04.06	86.00	LT/RT	102
505+40.61	14.00	505+61.57	25.12	LT/RT	53
1001+11.40	14.00	1001+26.39	17.19	LT/RT	45
1002+23.03	14.00	1002+22.39	26.61	LT/RT	42
1005+51.40	14.00	1005+51.40	22.91	LT/RT	38
1006+83.30	14.00	1007+27.12	48.76	LT/RT	92
1008+38.02	19.34	1008+44.84	14.00	LT/RT	35
1009+64.96	20.55	1009+74.96	27.65	LT/RT	55
1009+64.96	20.55	1009+74.96	27.65	LT	12
TOTAL					576.0
FINAL QTY					576

550A0360 STORM SEWERS, CLASS A, TYPE 2 15"					
ACCESS ROAD 1, 2 AND D-6 PARKING LOT					
STA	OFFSET	STA	OFFSET	LT/RT	FOOT
1000+00.00	17.27	1001+24.09	23.55	LT	133.00
1007+24.50	22.95	1007+51.65	38.47	LT	19.00
1008+38.02	19.34	1009+64.96	20.55	LT	122.00
TOTAL					274.0
FINAL QTY					274

550A0380 STORM SEWERS, CLASS A, TYPE 2 18"					
ACCESS ROAD 1, 2 AND D-6 PARKING LOT					
STA	OFFSET	STA	OFFSET	LT/RT	FOOT
500+60.06	78.15	502+09.95	86.00	LT	123
1003+96.26	14.00	1003+96.26	23.79	LT	39
1007+17.10	16.91	1008+38.02	19.34	LT	105
TOTAL					267.0
FINAL QTY					267

X0327085 CASING PIPE, OPEN CUT, 20" PVC					
ACCESS ROAD 1, 2 AND D-6 PARKING LOT					
STA	OFFSET	STA	OFFSET	LT/RT	FOOT
1000+05.20	17.00	1000+05.20	18.00	LT/RT	35
1001+41.58	16.60	1003+96.26	33.40	LT/RT	50
1004+38.46	15.50	1004+38.46	16.50	LT/RT	32
TOTAL					117.0
FINAL QTY					117

550A0410 STORM SEWERS, CLASS A, TYPE 2 24"					
ACCESS ROAD 1, 2 AND D-6 PARKING LOT					
STA	OFFSET	STA	OFFSET	LT/RT	FOOT
502+09.95	86.00	504+00.00	86.00	LT	190.0
504+00.00	86.00	1001+57.88	21.04	LT	196.0
TOTAL					386.0
FINAL QTY					386

550A0430 STORM SEWERS, CLASS A, TYPE 2 30"					
ACCESS ROAD 1, 2 AND D-6 PARKING LOT					
STA	OFFSET	STA	OFFSET	LT/RT	FOOT
1001+57.88	21.04	1002+00.00	23.70	LT	39
1002+00.00	23.70	1002+22.39	26.61	LT	20.7
TOTAL					60.0
FINAL QTY					60

550A0450 STORM SEWERS, CLASS A, TYPE 2 36"					
ACCESS ROAD 1, 2 AND D-6 PARKING LOT					
STA	OFFSET	STA	OFFSET	LT/RT	FOOT
1002+22.39	26.61	1004+50.00	23.48	LT	223
1004+50.00	23.48	1006+50.00	22.35	LT	200
1006+50.00	22.35	1007+24.01	73.26	LT/RT	157
SHEET NO. 38					306
TOTAL					886.0
FINAL QTY					886

550A0480 STORM SEWERS, CLASS A, TYPE 2 48"					
ACCESS ROAD 1, 2 AND D-6 PARKING LOT					
STA	OFFSET	STA	OFFSET	LT/RT	FOOT
SHEET NO. 38					55
TOTAL					55.0
FINAL QTY					55

55100100 STORM SEWER REMOVAL 4"					
ACCESS ROAD 1, 2 AND D-6 PARKING LOT					
STA	OFFSET	STA	OFFSET	LT/RT	FOOT
503+21.48	47.43	503+21.63	54.26	RT	7.0
TOTAL					7.0
FINAL QTY					7

55100300 STORM SEWER REMOVAL 8"					
ACCESS ROAD 1, 2 AND D-6 PARKING LOT					
STA	OFFSET	STA	OFFSET	LT/RT	FOOT
1007+09.45	36.00	1007+52.27	38.43	LT/RT	79.0
1007+38.15	22.16	1007+52.27	38.43	LT/RT	11.0
1008+46.62	49.61	1008+81.12	4.16	LT	54.0
TOTAL					144.0
FINAL QTY					144

55100500 STORM SEWER REMOVAL 12"					
ACCESS ROAD 1, 2 AND D-6 PARKING LOT					
STA	OFFSET	STA	OFFSET	LT/RT	FOOT
504+09.05	71.72	504+10+31	140.02	LT	68.0
504+34.91	78.89	505+29.89	35.99	LT	120.0
TOTAL					188.0
FINAL QTY					188

55100700 STORM SEWER REMOVAL 15"					
ACCESS ROAD 1, 2 AND D-6 PARKING LOT					
STA	OFFSET	STA	OFFSET	LT/RT	FOOT
1007+09.45	36.00	1007+52.27	38.43	LT/RT	71.0
TOTAL					71.0
FINAL QTY					71

55100900 STORM SEWER REMOVAL 18"					
ACCESS ROAD 1, 2 AND D-6 PARKING LOT					
STA	OFFSET	STA	OFFSET	LT/RT	FOOT
1007+09.45	36.00	1007+53.11	60.72	RT	54.0
TOTAL					54.0
FINAL QTY					54

55101200 STORM SEWER REMOVAL 24"					
ACCESS ROAD 1, 2 AND D-6 PARKING LOT					
STA	OFFSET	STA	OFFSET	LT/RT	FOOT
504+09.05	71.72	505+30.46	31.89	LT	126.0
TOTAL					126.0
FINAL QTY					127

60200105 CATCH BASINS, TYPE A, 4' DIAMETER, TYPE 1 FRAME, OPEN LID				
ACCESS ROAD 1, 2 AND D-6 PARKING LOT				
STA	OFFSET	LT/RT		EACH
503+62.94	86.00	LT		1
TOTAL				1

60203905 CATCH BASINS, TYPE A, 5' DIAMETER, TYPE 1 FRAME, CLOSED LID				
ACCESS ROAD 1, 2 AND D-6 PARKING LOT				
STA	OFFSET	LT/RT		EACH
SHEET NO. 38				2
TOTAL				2

60200305 CATCH BASINS, TYPE A, 4' DIAMETER, TYPE 3 FRAME AND GRATE				
ACCESS ROAD 1, 2 AND D-6 PARKING LOT				
STA	OFFSET	LT/RT		EACH
500+60.06	78.15	LT		1
503+04.06	86.00	LT		1
TOTAL				2

60218400 MANHOLES, TYPE A, 4' DIAMETER, TYPE 1 FRAME, CLOSED LID				
ACCESS ROAD 1, 2 AND D-6 PARKING LOT				
STA	OFFSET	LT/RT		EACH
501+50.75	86.00	LT		1
1001+16.97	19.49	LT		1
1000+49.98	17.76	LT		1
1008+38.02	19.34	LT		1
TOTAL				4

60221100 MANHOLES, TYPE A, 5' DIAMETER, TYPE 1 FRAME, CLOSED LID				
ACCESS ROAD 1, 2 AND D-6 PARKING LOT				
STA	OFFSET	LT/RT		EACH
505+56.55	97.63	LT		1
1001+26.39	17.19	LT		1
1001+85.66	21.01	LT		1
1001+57.88	21.04	LT		1
1002+22.39	26.61	LT		1
1003+96.26	23.79	LT		1
1005+51.40	22.91	LT		1
1006+56.40	22.31	LT		1
1007+24.50	22.95	LT		1
1007+17.10	16.91	LT		1
1007+30.71	13.44	RT		1
1007+27.12	48.76	RT		1
TOTAL				12

60223800 MANHOLES, TYPE A, 6' DIAMETER, TYPE 1 FRAME, CLOSED LID				
ACCESS ROAD 1, 2 AND D-6 PARKING LOT				
STA	OFFSET	LT/RT		EACH
SHEET NO. 38				1
TOTAL				1

60234200 INLETS, TYPE A, TYPE 1 FRAME, OPEN LID				
ACCESS ROAD 1, 2 AND D-6 PARKING LOT				
STA	OFFSET	LT/RT		EACH
503+22.23	53.26	RT		1
TOTAL				1

60240220 INLETS, TYPE B, TYPE 3 FRAME AND GRATE				
ACCESS ROAD 1, 2 AND D-6 PARKING LOT				
STA	OFFSET	LT/RT		EACH
501+32.27	14.00	LT		1
502+89.70	14.00	LT		1
501+32.27	14.00	RT		1
502+89.70	14.00	RT		1
505+40.61	14.00	LT		1
505+40.61	14.00	RT		1
1001+11.40	14.00	RT		1
1001+11.40	14.00	LT		1
1002+23.03	14.00	RT		1
1002+23.03	14.00	LT		1
1003+96.26	14.00	RT		1
1003+96.26	14.00	LT		1
1005+51.40	14.00	RT		1
1005+51.40	14.00	LT		1
1006+83.30	14.00	LT		1
1006+83.30	14.00	RT		1
1008+39.33	14.00	LT		1
1008+44.84	14.00	RT		1
1009+64.96	20.55	LT		1
1009+74.96	27.65	LT		1
1009+64.96	20.55	RT		1
1009+74.96	27.65	RT		1
TOTAL				22

60618300 CONCRETE MEDIAN SURFACE, 4 INCH					
ACCESS ROAD 1, 2 AND D-6 PARKING LOT					
STA	LT/RT	STA	LT/RT	SQ FT	
502+74.92	LT	502+77.76	LT	91.3	
505+12.92	LT	505+15.76	LT	91.3	
505+39.92	LT	505+63.92	LT	750.8	
1009+67.54	LT/RT	1009+94.57	LT/RT	305.1	
TOTAL					1,238.5
FINAL QTY					1,239

73100100 BASE FOR TELESCOPING STEEL SIGN SUPPORT				
ACCESS ROAD 1, 2 AND D-6 PARKING LOT				
STA	OFFSET	LT/RT		EACH
502+94.68	23.80	LT		1
503+22.94	23.80	LT		1
504+65.67	24.88	RT		1
505+48.74	16.50	RT		1
505+51.96	100.00	LT		1
505+61.84	83.00	LT		1
505+61.84	69.50	LT		1
1009+38.78	26.65	LT		1
1009+71.65	0.00	LT/RT		1
TOTAL				9

81028260 UNDERGROUND CONDUIT, GALVANIZED STEEL, 6" DIA.				
ACCESS ROAD 1, 2 AND D-6 PARKING LOT				
STA	LT/RT	STA	LT/RT	FOOT
1006+08.76	RT	1006+08.76	LT	38.0
TOTAL				38.0
FINAL QTY				38

60500060 REMOVING INLETS				
ACCESS ROAD 1, 2 AND D-6 PARKING LOT				
STA	OFFSET	LT/RT		EACH
503+22.09	46.42	RT		2
504+10.0	72 & 140	LT		2
505+01.90	79 & 81	LT		2
1007+40.0	36 & 39	LT		2
1008+81.12	4.50	LT		2
1009+93.40	100.24	RT		1
TOTAL				11

60600605 CONCRETE CURB, TYPE B				
ACCESS ROAD 1, 2 AND D-6 PARKING LOT				
STA	STA	LT/RT		FOOT
500+76.05	504+00.00	LT		401.30
501+30.69	501+31.28	LT/RT		29.20
504+00.00	504+55.26	LT		55.30
504+98.95	505+51.85	LT		52.90
TOTAL				538.70
FINAL QTY				539

72800100 TELESCOPING STEEL SIGN SUPPORT				
ACCESS ROAD 1, 2 AND D-6 PARKING LOT				
STA	OFFSET	LT/RT		FOOT
502+64.94	86.00	LT		12
502+94.68	23.80	LT		12
503+22.94	23.80	LT		12
503+22.94	86.00	LT		12
504+65.67	24.88	RT		12
505+02.94	86.00	LT		12
505+48.74	16.50	RT		12
505+51.96	100.00	LT		12
505+61.84	83.00	LT		12
505+61.84	69.50	LT		12
1009+38.78	26.65	LT		12
1009+71.65	0.00	LT/RT		12
TOTAL				144

72000100 SIGN PANEL - TYPE 1				
ACCESS ROAD 1, 2 AND D-6 PARKING LOT				
STA	OFFSET	LT/RT		SQ FT
502+64.94	86.00	LT		2
502+94.68	23.80	LT		1
503+22.94	23.80	LT		1
503+22.94	86.00	LT		2
504+65.67	24.88	RT		1
505+02.94	86.00	LT		2
505+48.74	16.50	RT		1
505+51.96	100.00	LT		1
505+61.84	83.00	LT		1
505+61.84	69.50	LT		1
1009+38.78	26.65	LT		1
1009+71.65	0.00	LT/RT		1
1009+71.65	0.00	LT/RT		1
TOTAL				16

60605000 COMBINATION CONCRETE CURB AND GUTTER, TYPE B-6.24				
ACCESS ROAD 1, 2 AND D-6 PARKING LOT				
STA	LT/RT	STA	LT/RT	FOOT
501+31.25	LT	504+00.00	LT	268.7
501+31.25	RT	504+00.00	RT	268.7
504+00.00	LT	505+68.10	LT	261.6
504+00.00	RT	504+31.37	RT	39.9
504+61.37	RT	505+59.80	RT	114.7
1000+00.00	RT	1002+00.00	RT	202.8
1001+54.47	LT	1002+00.00	LT	52.5
1002+00.00	LT	1004+50.00	LT	247.5
1002+00.00	RT	1003+28.80	RT	142.9
1003+70.70	RT	1004+50.00	RT	90.1
1004+50.00	RT	1006+50.00	RT	200.0
1004+50.00	LT	1006+50.00	LT	200.0
1006+50.00	LT	1009+97.19	LT	366.0
1006+50.00	RT	1006+97.00	RT	60.6
1007+66.65	RT	1009+98.38	RT	390.2
1009+81.40	LT/RT	1009+97.16	LT/RT	115.1
TOTAL				3,021.3
FINAL QTY				3,022

60603800 COMBINATION CONCRETE CURB AND GUTTER, TYPE B-6.12				
ACCESS ROAD 1, 2 AND D-6 PARKING LOT				
STA	LT/RT	STA	LT/RT	FOOT
500+76.73	LT	504+00.00	LT	330.1
502+73.94	LT	502+79.94	LT	78.9
503+03.94	LT	503+13.94	LT	83.4
504+00.00	LT	505+61.53		

TRENCH BACKFILL													
PIPE NO.	FROM STRUCTURE	TO STRUCTURE	RIM ELEVATION	FROM INVERT	TO INVERT	DIAMETER (FT)	H1 (FT)	H2 (FT)	PAVMT DEPTH (FT)	AVE TRENCH DEPTH (FT)	WIDE (FT)	TRENCH LENGHT (FT)	VOLUME (CY)
DP-01	DS-01	DS-01A	581.88	573.67	573.03	1.5	7.46	8.53	0.96	7.03	4.50	66	75.2
DP-02	DS-01A	DS-02	582.31	572.93	572.34	1.5	8.63	7.75	0.96	7.23	4.50	59	69.4
DP-03	DS-02	DS-02A	580.84	572.24	571.67	2	7.60	8.22	0.96	6.95	5.00	95	116.4
DP-04	DS-02A	DS-02B	580.89	571.57	571.22	2	8.32	8.21	0.96	7.31	5.00	58	75.5
DP-05	DS-02B	DS-05	580.43	571.12	570.52	2	8.31	8.26	0.96	7.32	5.00	100	129.8
DP-06	DS-05	DS-05B	579.78	570.42	569.85	2	8.36	9.84	0.96	8.14	5.00	94	136.6
DP-07	DS-05B	DS-08	580.69	569.75	569.71	2	9.94	9.78	0.96	8.90	5.00	7	10.8
DP-08	DS-08	DS-09	580.49	569.61	569.36	2	9.88	10.19	1.13	8.91	5.00	32	50.5
DP-15	DS-13B	DS-13C	580.99	566.40	566.17	3	13.09	12.95	1.13	11.90	6.00	35	88.0
DP-21	DS-04	DS-03	583.11	578.11	577.87	1	4.50	4.74	1.13	3.50	4.00	30	15.1
DP-22	DS-03	DS-01A	583.11	577.77	577.19	1	4.84	4.12	0.96	3.52	4.00	72	36.7
DP-23	DS-04A	DS-03A	581.81	576.81	576.57	1	4.50	4.74	1.13	3.49	4.00	30	15.1
DP-24	DS-03A	DS-02A	581.81	576.47	575.89	1	4.84	4.01	0.96	3.46	4.00	72	35.9
DP-25	DS-07	DS-06	580.40	575.40	575.16	1	4.50	4.74	1.13	3.50	4.00	30	15.1
DP-26	DS-06	DS-06A	580.40	575.06	574.88	1	4.84	3.73	1.13	3.16	4.00	23	10.4
DP-27	DS EX-01	DS-06A	579.11	571.15	570.94	1.25	7.34	8.68	1.13	6.88	4.25	57	60.4
DP-28	DS-06A	DS-05A	580.24	570.84	570.61	1.25	8.78	9.00	1.13	7.76	4.25	65	78.4
DP-29	DS-05A	DS-05B	580.24	570.51	570.48	1.25	9.10	9.29	1.13	8.07	4.25	8	10.2
DP-30	DS-08A	DS-08B	580.39	575.39	575.15	1	4.50	4.74	1.13	3.50	4.00	30	15.1
DP-31	DS-08B	DS-08	580.39	575.05	574.93	1	4.84	2.80	1.13	2.70	4.00	15	5.9
DP-33	DS-16	DS-17	581.41	576.41	576.17	1	4.50	4.73	1.13	3.49	4.00	30	15.1
DP-35	DS-18	DS-19	581.80	574.25	574.01	1.5	6.80	7.04	1.13	5.79	4.50	33	30.8
DP-37	DS-20	DS-21	581.28	573.75	573.51	1	7.03	7.27	1.13	6.03	4.00	33	29.0
DP-39	DS-23	DS-22	580.79	574.10	573.80	1	6.19	6.92	1.13	5.43	4.00	32	25.3
DP-40	DS-22	DS-14	581.22	573.70	573.08	1	7.02	5.99	1.13	5.38	4.00	50	39.1
DP-41	DS-26A	DS-26	579.57	574.50	574.38	1	4.57	4.69	1.13	3.50	4.00	12	6.1
DP-42	DS-27A	DS-27	579.57	574.50	574.38	1	4.57	4.68	1.13	3.50	4.00	12	6.0
DP-43	DS-27	DS-26	579.56	574.28	573.85	1	4.78	5.71	1.13	4.12	4.00	45	26.8
DP-47	DS-25	DS-24A	579.35	574.35	574.04	1	4.50	4.83	1.13	3.54	4.00	33	16.8
												FINAL QTY	1250

EARTHWORK SCHEDULE					
1	2	3	4	5	6
LOCATION	20200100 EARTH EXCAVATION	EX PAVEMENT & CURB AND GUTTER AREAS	EARTH EXCAVATION ADJUSTED FOR SHRINKAGE (15%)	EMBANKMENT	EARTHWORK BALANCE WASTE (+) OR SHORTAGE (-)
	(CU YD)	(CU YD)	(CU YD)	(CU YD)	(CU YD)
ACCESS ROAD 1, 2 AND D-6 PARKING LOT CUT / FILL	10,075.8	818.1	7,869.1	3,043.2	4,825.9
FINAL QTY	10,080	820	7,870	3,045	4,830

- COLUMN 1 - LOCATION FROM PLANS
- COLUMN 2 - CUT QUANTITIES
- COLUMN 3 - EX PAVEMENT & CURB AND GUTTER AREAS
- COLUMN 4 - ADJUSTED EARTH EXCAVATION QUANTITIES THAT ARE TO BE USED AS FILL MATERIAL IN EMBANKMENT
- COLUMN 5 - FILL QUANTITIES
- COLUMN 6 - MATERIAL TO WASTE OR OFF-SITE MATERIAL NEEDED

81028390 UNDERGROUND CONDUIT, PVC, 4" DIA.				
ACCESS ROAD 1, 2 AND D-6 PARKING LOT				
STA	LT/RT	STA	LT/RT	FOOT
1007+82.15	LT	1007+82.15	RT	36.0
1007+93.77	LT	1007+93.77	RT	42.0
TOTAL				78.0
FINAL QTY				78

X5503110 TEMPORARY STORM SEWER PLUGS			
ACCESS ROAD 1, 2 AND D-6 PARKING LOT			
STA	OFFSET	LT/RT	EACH
1000+00.00	17.27	RT	1
TOTAL			1

X5503105 PLUG EXISTING STORM SEWER			
ACCESS ROAD 1, 2 AND D-6 PARKING LOT			
STA	OFFSET	LT/RT	CU YD
1007+52.96	60.50	LT	1.00
TOTAL			1.00
FINAL QTY			1

78001110 PAINT PAVEMENT MARKING - LINE 4"					
ACCESS ROAD 1, 2 AND D-6 PARKING LOT					
STA	STA	LT/RT	EACH	LENGTH	FOOT
500+93.64	502+73.94	LT	16	36	756.0
501+32.94	504+00.00	LT	24	18	432.0
503+13.94	504+00.00	LT	7	36	356.7
502+55.94	502+73.94	LT	2	136	272.0
502+85.94	502+94.94	LT	1	136	136.0
503+13.94	503+31.94	LT	2	136	272.0
503+22.94	503+31.94	LT	1	136	136.0
504+00.00	502+31.00	LT	10	36	489.4
504+03.95	505+29.95	LT	15	18	270.0
505+41.94	505+59.94	LT	2	18	36.0
504+93.95	505+11.95	LT	2	136	272.0
505+41.94	505+59.94	LT	1	136	136.0
TOTAL					3,564.0
FINAL QTY					3565

78001130 PAINT PAVEMENT MARKING - LINE 6"					
ACCESS ROAD 1, 2 AND D-6 PARKING LOT					
STA	STA	LT/RT	EACH	LENGTH	FOOT
503+03.34	503+13.34	LT/RT	2	103.0	206.0
1000+55.45	1000+65.45	LT/RT	2	24.0	48.0
1003+25.83	1003+73.67	RT	1	89.7	89.7
1006+70.59	1006+78.59	LT/RT	2	24.0	48.0
1006+94.85	1007+20.28	RT	1	53.0	53.0
1009+66.34	1009+83.01	RT	2	28.0	56.0
1009+66.34	1009+83.01	LT	2	28.0	56.0
TOTAL					556.7
FINAL QTY					557

78001180 PAINT PAVEMENT MARKING - LINE 24"					
ACCESS ROAD 1, 2 AND D-6 PARKING LOT					
STA	STA	LT/RT	EACH	LENGTH	FOOT
504+45.77	504+60.77	RT	1	15	15.0
505+45.72	505+47.72	RT	1	13	13.0
505+49.26	505+51.26	LT	1	12	12.0
503+03.34	503+13.34	LT/RT	25	10	250.0
1000+55.45	1000+65.45	LT/RT	7	10	70.0
1003+25.83	1003+73.67	RT	11	10	115.0
1006+70.59	1006+78.59	LT/RT	7	10	70.0
1006+94.85	1007+20.28	RT	7	10	70.0
1009+66.34	1009+83.01	RT	4	10	40.0
1009+66.34	1009+83.01	LT	4	10	40.0
TOTAL					695.0
FINAL QTY					695

81028350 UNDERGROUND CONDUIT, PVC, 2" DIA.				
ACCESS ROAD 1, 2 AND D-6 PARKING LOT				
STA	LT/RT	STA	LT/RT	FOOT
504+21.00	RT	504+73.00	RT	52
1000+06.50	LT	1000+50.61	RT	59
1001+11.75	RT	1001+59.07	LT	67
1001+89.20	LT	1002+39.64	RT	59
1003+18.75	RT	1003+80.28	RT	62
1006+89.71	RT	1007+26.10	RT	40
TOTAL				339.0
FINAL QTY				339

X0327036 BIKE PATH REMOVAL							
ACCESS ROAD 1, 2 AND D-6 PARKING LOT							
STA	OFFSET	LT/RT	STA	OFFSET	LT/RT	SQ FT	SQ YD
1007+17.57	18.44	RT	1007+36.87	35.10	RT	524.5	58.3
SHEET NO. 20						1810.61	201.2
TOTAL						259.5	
FINAL QTY						260	

Z0062456 TEMPORARY PAVEMENT						
ACCESS ROAD 1, 2 AND D-6 PARKING LOT						
STA	OFFSET	LT/RT	LENGTH	WIDTH	SQ FT	SQ YD
504+54.67	128.0	LT	43.70	23.45	1026.0	114.0
TOTAL						114.0
FINAL QTY						114

X5010050 REINFORCED CONCRETE DUCK BANK REMOVAL			
ACCESS ROAD 1, 2 AND D-6 PARKING LOT			
STA	STA	LT/RT	FOOT
503+00.98	504+00.00	RT	155.77
504+00.00	504+26.78	LT/RT	163.58
TOTAL			319.35
FINAL QTY			320

Z0002750 BARRICADES, TYPE III			
ACCESS ROAD 1, 2 AND D-6 PARKING LOT			
STA	OFFSET	LT/RT	EACH
504+46.00	28.50	RT	2
504+77.76	153.90	LT	2
1000+00.00	0.00	LT/RT	2
1007+30.80	78.40	RT	1
1009+90.25	28.60	RT	2
1009+90.25	28.60	LT	2
TOTAL			11

Z0018700 DRAINAGE STRUCTURE TO BE REMOVED			
ACCESS ROAD 1, 2 AND D-6 PARKING LOT			
STA	OFFSET	LT/RT	EACH
505+30	35.5	LT	1
505+31	31.5	LT	1
TOTAL			2

X6640300 CHAIN LINK FENCE REMOVAL				
ACCESS ROAD 1, 2 AND D-6 PARKING LOT				
STA	LT/RT	STA	LT/RT	FOOT
1007+26.85	LT	1007+88.63	LT	78
1008+16.02	LT	1008+52.93	LT	40
TOTAL				118

X0350810 BOLLARD REMOVAL			
ACCESS ROAD 1, 2 AND D-6 PARKING LOT			
STA	OFFSET	LT/RT	EACH
503+43.84	134.38	LT	1
503+55.85	134.38	LT	1
1007+15.85	36.80	RT	1
1007+20.54	40.62	RT	1
1007+25.05	44.62	RT	1
TOTAL			5

MODEL: D:\default_Plan\093120\NO-08\Design\DWG\CADD_Sheets\General\Schedule.dgn



USER NAME = DBIakaj
 PLOT SCALE = 50.0000' / in.
 PLOT DATE = 3/1/2023

DESIGNED - AW
 DRAWN - DB
 CHECKED - PH
 DATE - 01/28/2023

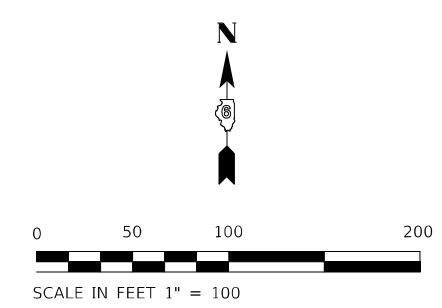
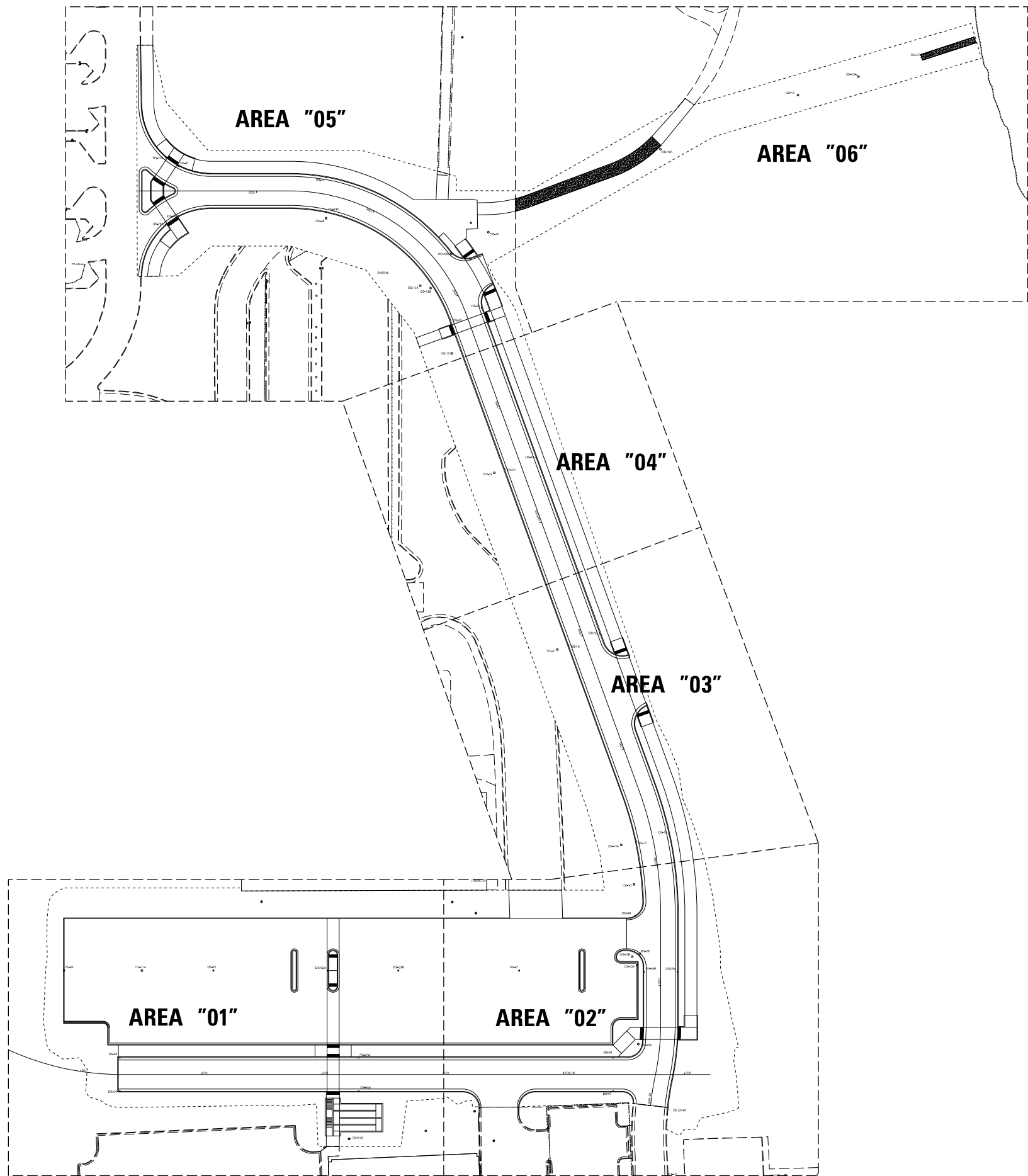
REVISED -
 REVISED -
 REVISED -
 REVISED -

STATE OF ILLINOIS
 DEPARTMENT OF TRANSPORTATION

SCHEDULE OF QUANTITIES

SCALE: NONE SHEET 3 OF 5 SHEETS STA. TO STA.

F.A.P. RTE.	SECTION	COUNTY	TOTAL SHEETS	SHEET NO.
663	HANLEY PARKING 2023	SANGAMON	90	13
ILLINOIS FED. AID PROJECT			CONTRACT NO. 72403	



MODEL: Default
 FILE NAME: P:\Rm093120\WC-06\Design\Drawn\Civil\CADD_Sheets\Site_Key_Plan.dgn



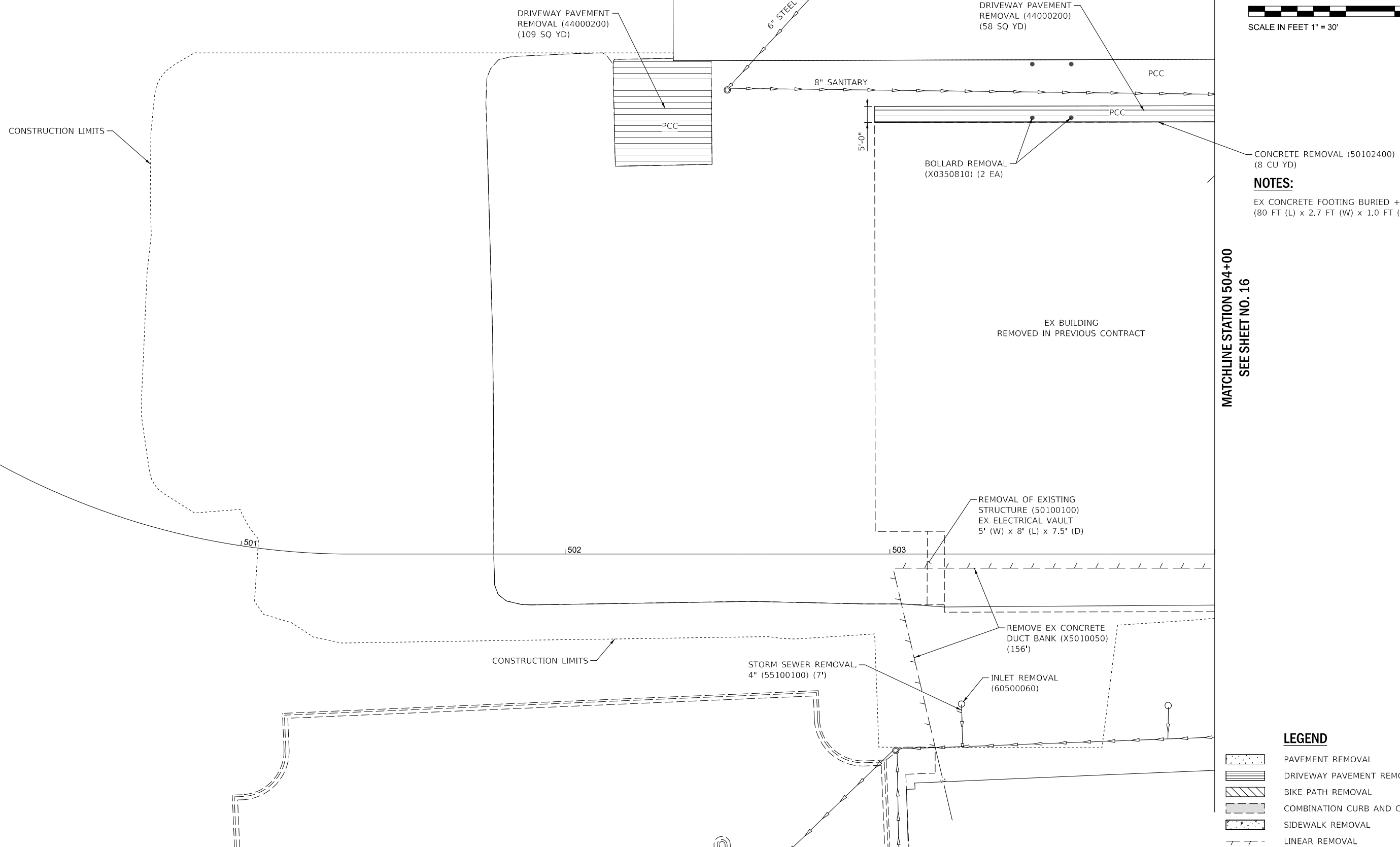
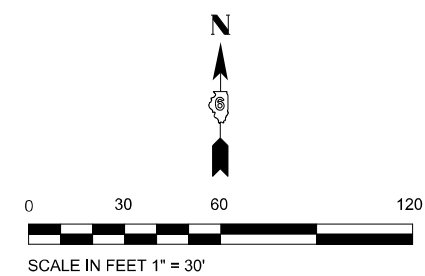
USER NAME = DBIakaJ	DESIGNED - AW	REVISED -
	DRAWN - DB	REVISED -
PLOT SCALE = 600,0000 ' / ft.	CHECKED - PH	REVISED -
PLOT DATE = 3/1/2023	DATE - 01/26/2023	REVISED -

STATE OF ILLINOIS
DEPARTMENT OF TRANSPORTATION

SITE KEY PLAN

SCALE: 1" = 15' SHEET OF SHEETS STA. TO STA.

F.A.P. RTE.	SECTION	COUNTY	TOTAL SHEETS	SHEET NO.
663	HANLEY PARKING 2023	SANGAMON	90	14
CONTRACT NO.			72403	
ILLINOIS		FED. AID PROJECT		



NOTES:
 EX CONCRETE FOOTING BURIED +/- 3.5 FT DEEP
 (80 FT (L) x 2.7 FT (W) x 1.0 FT (H))

MATCHLINE STATION 504+00
SEE SHEET NO. 16

LEGEND

	PAVEMENT REMOVAL
	DRIVEWAY PAVEMENT REMOVAL
	BIKE PATH REMOVAL
	COMBINATION CURB AND CUTTER REMOVAL
	SIDEWALK REMOVAL
	LINEAR REMOVAL

MODEL: D:\rfs\1201\00-00\Design\Draw\Sheet\Removal_R1.mxd
 FILE NAME: P:\R1201\00-00\Design\Draw\Sheet\Removal_R1.mxd



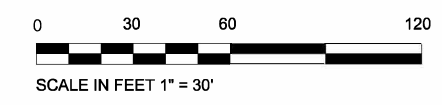
USER NAME = DBIakaj	DESIGNED - AW	REVISED -
PLOT SCALE = 1/80,0000 ' / ft.	DRAWN - DB	REVISED -
PLOT DATE = 3/1/2023	CHECKED - PH	REVISED -
	DATE - 01/26/2023	REVISED -

**STATE OF ILLINOIS
 DEPARTMENT OF TRANSPORTATION**

**REMOVAL PLAN
 (AREA 01)**

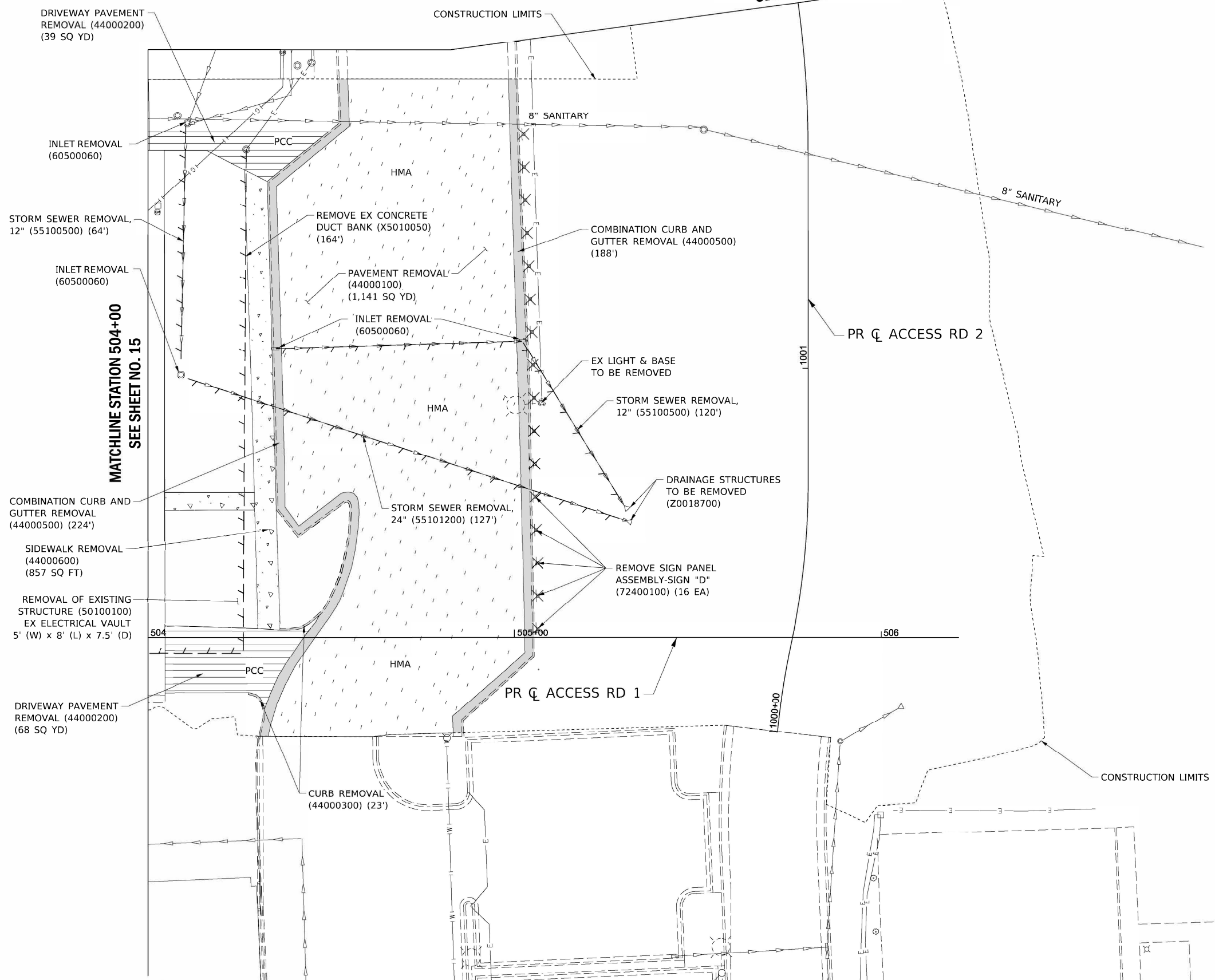
SCALE: 1" = 30' SHEET ___ OF ___ SHEETS STA. _____ TO STA. _____

F.A.P. RTE. 663	SECTION HANLEY PARKING 2023	COUNTY SANGAMON	TOTAL SHEETS 90	SHEET NO. 15
			CONTRACT NO. 72403	
ILLINOIS FED. AID PROJECT				

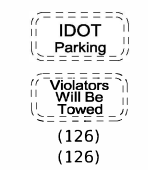


MATCHLINE STATION 1002+00
SEE SHEET NO. 17

MATCHLINE STATION 504+00
SEE SHEET NO. 15



SIGN "D"



LEGEND

- PAVEMENT REMOVAL
- DRIVEWAY PAVEMENT REMOVAL
- BIKE PATH REMOVAL
- COMBINATION CURB AND CUTTER REMOVAL
- SIDEWALK REMOVAL
- LINEAR REMOVAL

MODEL: Default
FILE NAME: P:\18m093120\WD-08\Design\Draw\CADD_Sheets\Removal_Plan-02.dgn

RME Rubinos & Meiss Engineers, Inc.
200 S. Michigan Avenue, Suite 1500, Chicago, IL 60604-2482

USER NAME = DBIakaj	DESIGNED - AW	REVISED -
	DRAWN - DB	REVISED -
PLOT SCALE = 180.0000' / ft.	CHECKED - PH	REVISED -
PLOT DATE = 3/1/2023	DATE = 01/26/2023	REVISED -

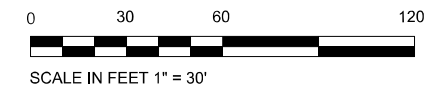
**STATE OF ILLINOIS
DEPARTMENT OF TRANSPORTATION**

**REMOVAL PLAN
(AREA 02)**

SCALE: 1" = 30' SHEET ___ OF ___ SHEETS STA. _____ TO STA. _____

F.A.P. RTE.	SECTION	COUNTY	TOTAL SHEETS	SHEET NO.
663	HANLEY PARKING 2023	SANGAMON	90	16
			CONTRACT NO. 72403	

ILLINOIS FED. AID PROJECT



**MATCHLINE STATION 1004+50
SEE SHEET NO. 18**

PR ϕ ACCESS RD 2

EX LIGHT & BASE
TO BE REMOVED

PAVEMENT REMOVAL
(44000100)
(111 SQ YD)

COMBINATION CURB AND
GUTTER REMOVAL (44000500)
(150')

HMA

CONSTRUCTION LIMITS

CONSTRUCTION LIMITS

**MATCHLINE STATION 1002+00
SEE SHEET NO. 16**

LEGEND

- PAVEMENT REMOVAL
- DRIVEWAY PAVEMENT REMOVAL
- BIKE PATH REMOVAL
- COMBINATION CURB AND CUTTER REMOVAL
- SIDEWALK REMOVAL
- LINEAR REMOVAL

MODEL: D:\proj\1201\00-00\Design\Draw\CADD_Sheets\Removal_R17-03.dgn
FILE NAME: P:\Rm\093120\00-00\Design\Draw\CADD_Sheets\Removal_R17-03.dgn



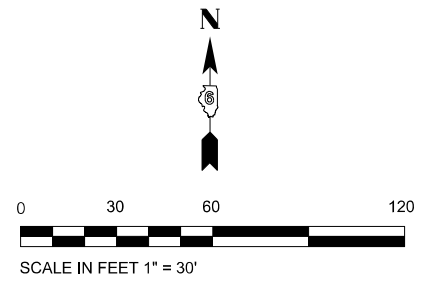
USER NAME = DBIakaj	DESIGNED - AW _____	REVISED - _____
	DRAWN - DB _____	REVISED - _____
PLOT SCALE = 180,0000 ' / ft.	CHECKED - PH _____	REVISED - _____
PLOT DATE = 3/1/2023	DATE - 01/26/2023	REVISED - _____

**STATE OF ILLINOIS
DEPARTMENT OF TRANSPORTATION**

**REMOVAL PLAN
(AREA 03)**

SCALE: 1" = 30' SHEET ___ OF ___ SHEETS STA. _____ TO STA. _____

F.A.P. RTE.	SECTION	COUNTY	TOTAL SHEETS	SHEET NO.
663	HANLEY PARKING 2023	SANGAMON	90	17
			CONTRACT NO.	72403
ILLINOIS FED. AID PROJECT				



MATCHLINE STATION 1006+50
SEE SHEET NO. 19

PAVEMENT REMOVAL
(44000100)
(135 SQ YD)

COMBINATION CURB AND
GUTTER REMOVAL
(44000500)
(79')

CONSTRUCTION LIMITS

PR ϕ ACCESS RD 2

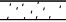




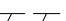
CONSTRUCTION LIMITS

COMBINATION CURB AND
GUTTER REMOVAL
(44000500)
(35')

PAVEMENT REMOVAL
(44000100)
(13 SQ YD)

MATCHLINE STATION 1004+50
SEE SHEET NO. 17

LEGEND

-  PAVEMENT REMOVAL
-  DRIVEWAY PAVEMENT REMOVAL
-  BIKE PATH REMOVAL
-  COMBINATION CURB AND CUTTER REMOVAL
-  SIDEWALK REMOVAL
-  LINEAR REMOVAL

MODEL: D:\p\1\1201\04\04\Design\Draw\Curf\Curf\CADD_Sheets\Removal_R1.mxd.dgn



USER NAME = DBIakaj	DESIGNED - AW	REVISED -
	DRAWN - DB	REVISED -
PLOT SCALE = 180,0000' / ft.	CHECKED - PH	REVISED -
PLOT DATE = 3/1/2023	DATE - 01/26/2023	REVISED -

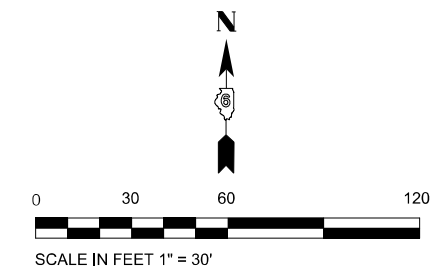
**STATE OF ILLINOIS
DEPARTMENT OF TRANSPORTATION**

**REMOVAL PLAN
(AREA 04)**

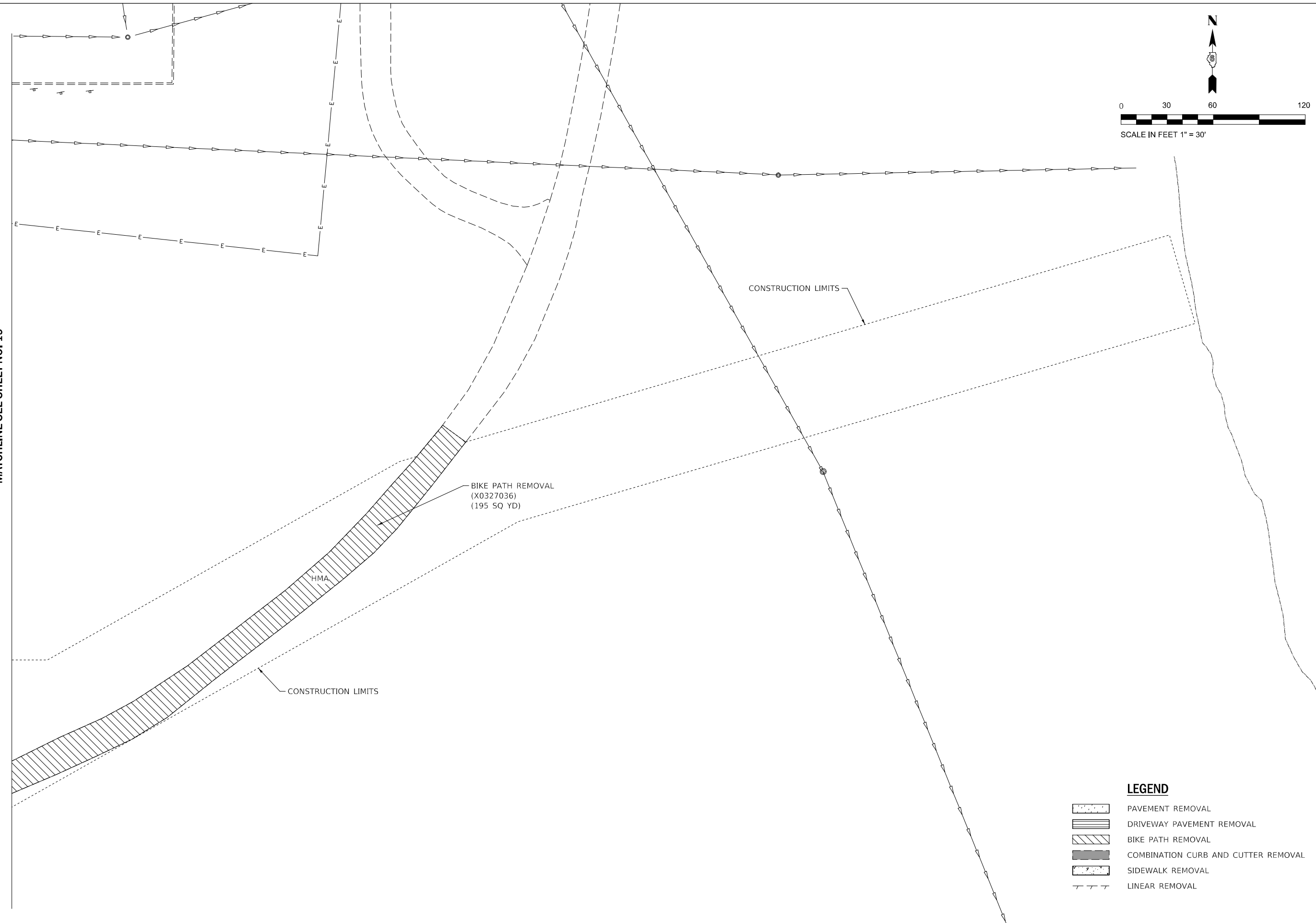
SCALE: 1" = 30' SHEET ___ OF ___ SHEETS STA. _____ TO STA. _____

F.A.P. RTE.	SECTION	COUNTY	TOTAL SHEETS	SHEET NO.
663	HANLEY PARKING 2023	SANGAMON	90	18
			CONTRACT NO. 72403	

ILLINOIS FED. AID PROJECT



MATCHLINE SEE SHEET NO. 19



LEGEND

- PAVEMENT REMOVAL
- DRIVEWAY PAVEMENT REMOVAL
- BIKE PATH REMOVAL
- COMBINATION CURB AND CUTTER REMOVAL
- SIDEWALK REMOVAL
- LINEAR REMOVAL

MODEL: Default
FILE NAME: P:\Rm093120\WC-06\Design\Draw\Civil\CADD_Sheets\Removal_Rm-06.dgn



USER NAME = DBIakaJ	DESIGNED - AW	REVISED -
	DRAWN - DB	REVISED -
PLOT SCALE = 180,0000 ' / ft.	CHECKED - PH	REVISED -
PLOT DATE = 3/1/2023	DATE - 01/26/2023	REVISED -

**STATE OF ILLINOIS
DEPARTMENT OF TRANSPORTATION**

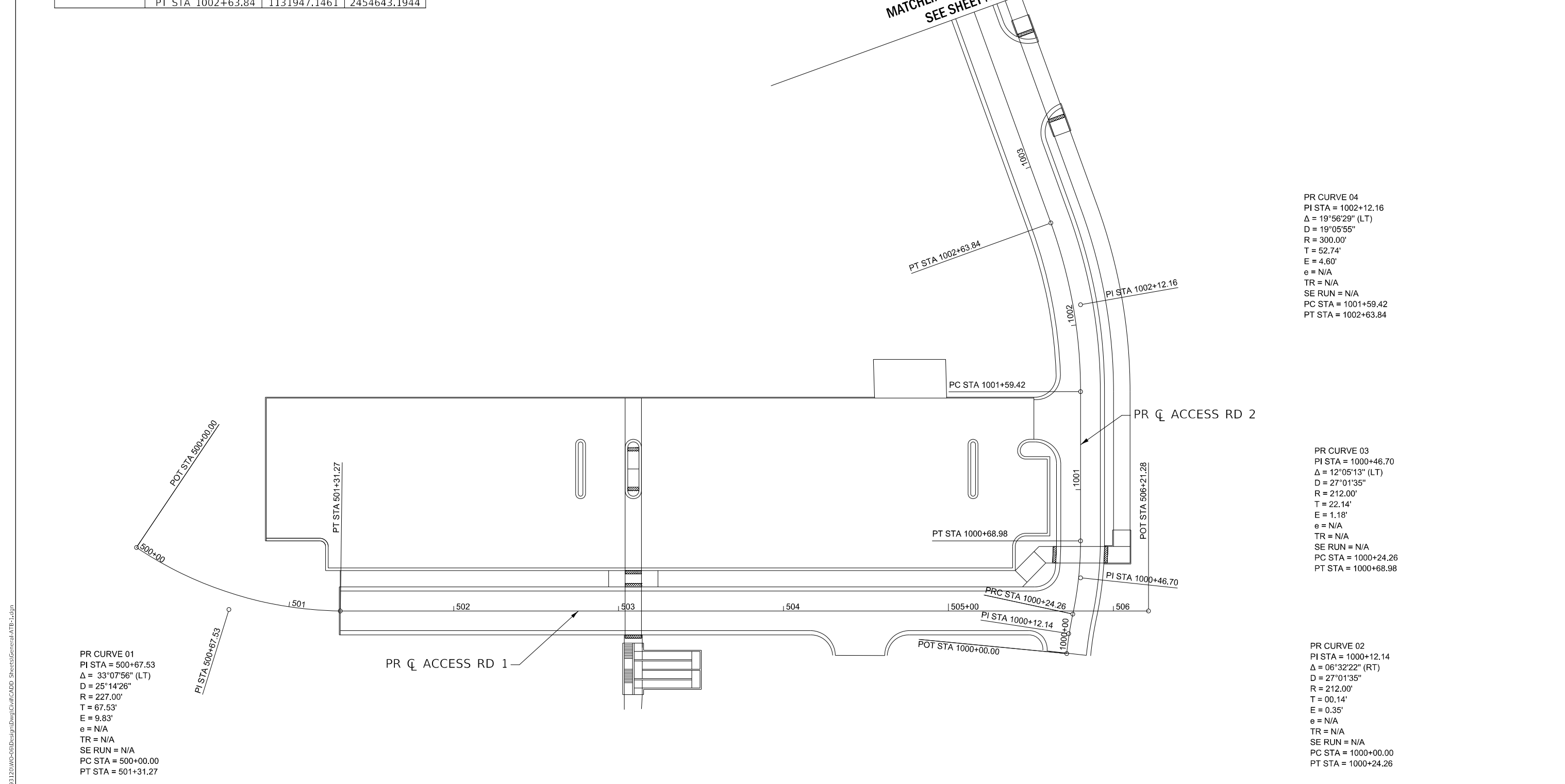
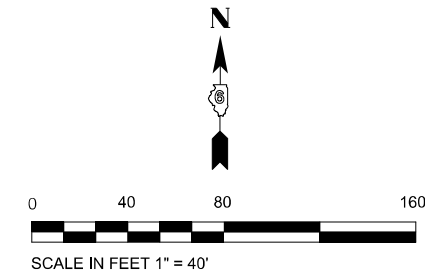
**REMOVAL PLAN
(AREA 06)**

SCALE: 1" = 30' SHEET OF SHEETS STA. TO STA.

F.A.P. RTE.	SECTION	COUNTY	TOTAL SHEETS	SHEET NO.
663	HANLEY PARKING 2023	SANGAMON	90	20
CONTRACT NO.			72403	
ILLINOIS		FED. AID PROJECT		

ALIGNMENT CONTROL TABLE

LOCATION	DESCRIPTION	NORTHING	EASTING
ACCESS RD 1	POT STA 500+00.00	1131750.3778	2454088.7880
	PI STA 500+67.53	1131712.7439	2454144.8537
	PT STA 501+30.67	1131711.8728	2454212.3734
	POT STA 506+20.67	1131711.8682	2454702.3876
ACCESS RD 2	POT STA 1000+00.00	1131686.0374	2454652.8147
	PI STA 1000+12.14	1131698.1236	2454653.9829
	PRC STA 1000+24.26	1131709.9973	2454656.5235
	PI STA 1000+46.07	1131731.9456	2454661.2195
	PT STA 1000+68.98	1131754.3905	2454661.2156
	PC STA 1001+59.42	1131844.8318	2454661.1997
	PI STA 1002+12.16	1131897.5716	2454661.1904
	PT STA 1002+63.84	1131947.1461	2454643.1944



PR CURVE 01
 PI STA = 500+67.53
 $\Delta = 33^{\circ}07'56''$ (LT)
 D = 25°14'26"
 R = 227.00'
 T = 67.53'
 E = 9.83'
 e = N/A
 TR = N/A
 SE RUN = N/A
 PC STA = 500+00.00
 PT STA = 501+31.27

PR CURVE 04
 PI STA = 1002+12.16
 $\Delta = 19^{\circ}56'29''$ (LT)
 D = 19°05'55"
 R = 300.00'
 T = 52.74'
 E = 4.60'
 e = N/A
 TR = N/A
 SE RUN = N/A
 PC STA = 1001+59.42
 PT STA = 1002+63.84

PR CURVE 03
 PI STA = 1000+46.70
 $\Delta = 12^{\circ}05'13''$ (LT)
 D = 27°01'35"
 R = 212.00'
 T = 22.14'
 E = 1.18'
 e = N/A
 TR = N/A
 SE RUN = N/A
 PC STA = 1000+24.26
 PT STA = 1000+68.98

PR CURVE 02
 PI STA = 1000+12.14
 $\Delta = 06^{\circ}32'22''$ (RT)
 D = 27°01'35"
 R = 212.00'
 T = 00.14'
 E = 0.35'
 e = N/A
 TR = N/A
 SE RUN = N/A
 PC STA = 1000+00.00
 PT STA = 1000+24.26

MODEL: D:\draft\... FILE NAME: P:\Rm093120\WP-06\Design\Drawn\General\ATB-1.dgn



USER NAME = DBIakaj	DESIGNED - AW	REVISED -
PLOT SCALE = 360,0000' / ft.	CHECKED - PH	REVISED -
PLOT DATE = 3/1/2023	DATE - 01/26/2023	REVISED -

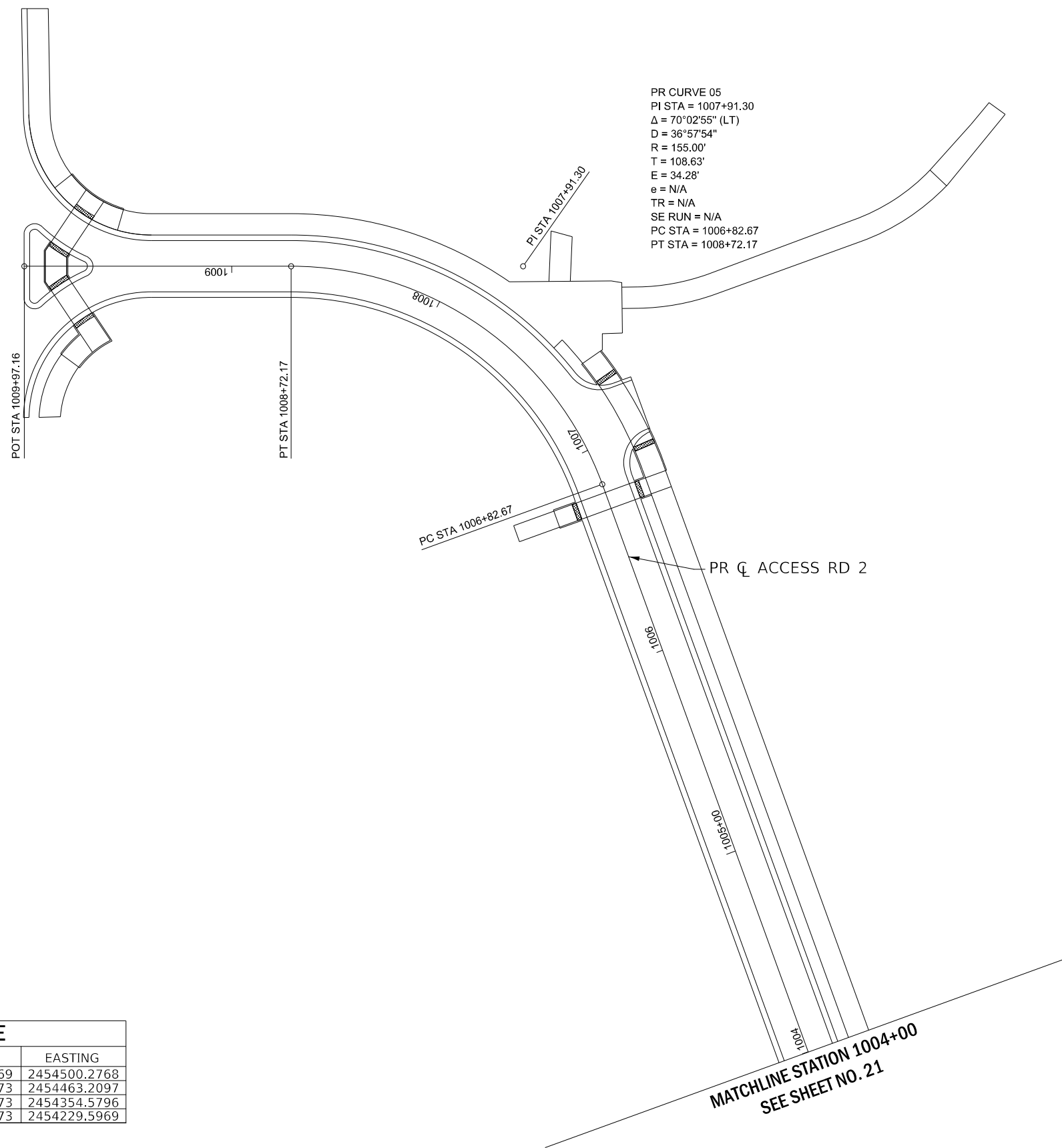
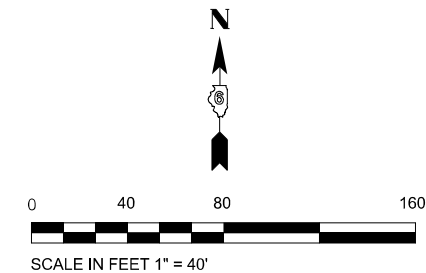
**STATE OF ILLINOIS
 DEPARTMENT OF TRANSPORTATION**

ALIGNMENT CONTROL

SCALE: 1" = 40' SHEET ___ OF ___ SHEETS STA. _____ TO STA. _____

F.A.P. RTE.	SECTION	COUNTY	TOTAL SHEETS	SHEET NO.
663	HANLEY PARKING 2023	SANGAMON	90	21
CONTRACT NO. 72403				

ILLINOIS FED. AID PROJECT



ALIGNMENT CONTROL TABLE

LOCATION	DESCRIPTION	NORTHING	EASTING
PR ACCESS RD 2	PC STA 1006+82.67	1132340.8469	2454500.2768
	PI STA 1007+91.30	1132442.9573	2454463.2097
	PT STA 1008+72.17	1132442.9573	2454354.5796
	POT STA 1009+97.16	1132442.9573	2454229.5969

MODEL: D:\rme\1201\091220\091220\091220\091220\CADD_Sheets\General\ATB-2.dgn



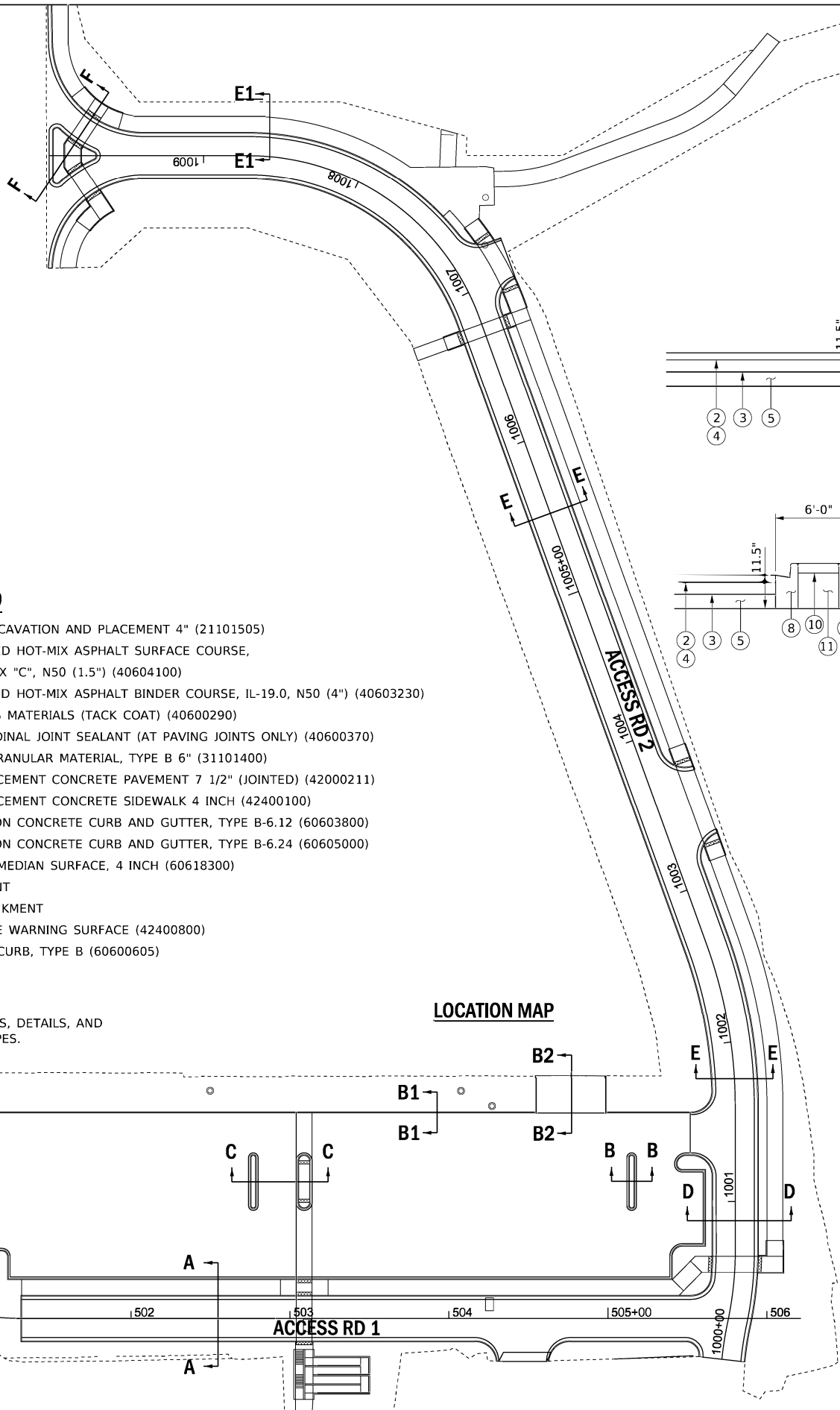
USER NAME = DBIakaJ	DESIGNED - AW _____	REVISED - _____
PLOT SCALE = 360,0000 ' / ft.	DRAWN - DB _____	REVISED - _____
PLOT DATE = 3/1/2023	CHECKED - PH _____	REVISED - _____
	DATE - 01/26/2023	REVISED - _____

**STATE OF ILLINOIS
DEPARTMENT OF TRANSPORTATION**

ALIGNMENT CONTROL

SCALE: 1" = 40' SHEET ___ OF ___ SHEETS STA. _____ TO STA. _____

F.A.P. RTE.	SECTION	COUNTY	TOTAL SHEETS	SHEET NO.
663	HANLEY PARKING 2023	SANGAMON	90	22
			CONTRACT NO. 72403	
		ILLINOIS FED. AID PROJECT		



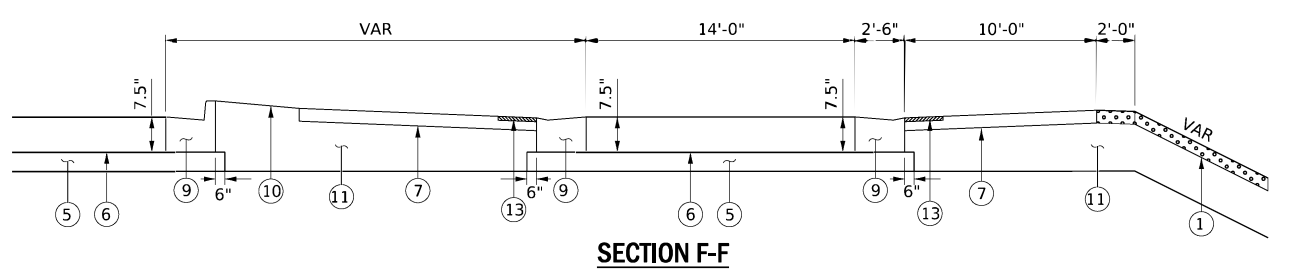
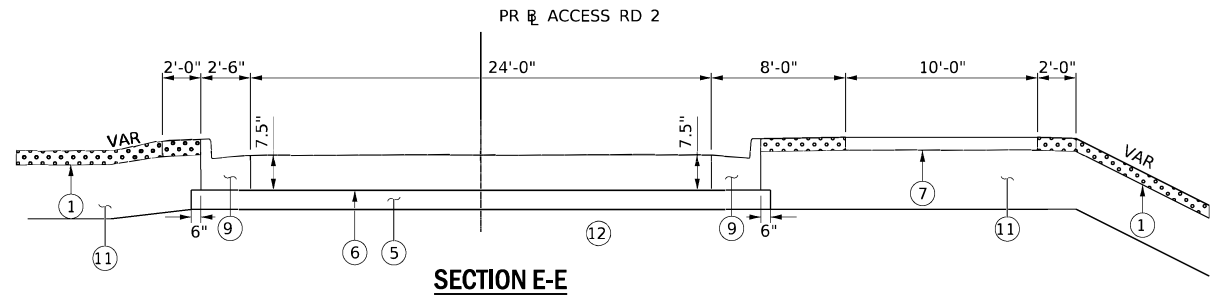
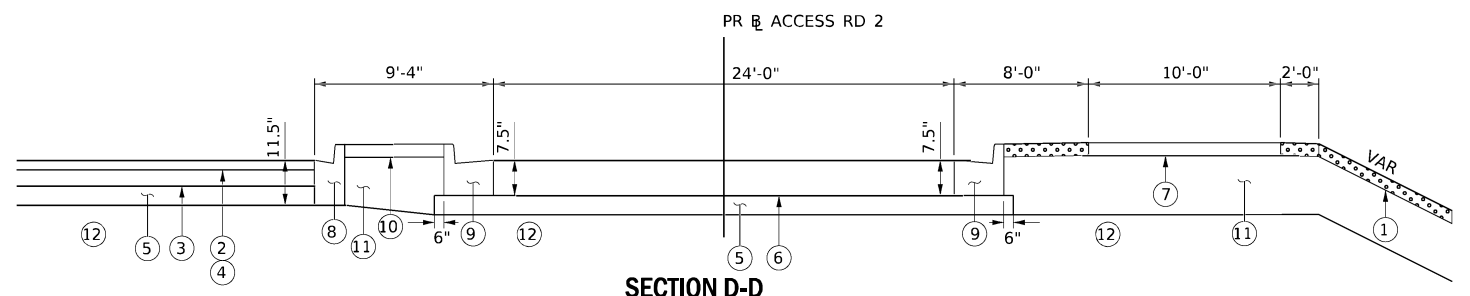
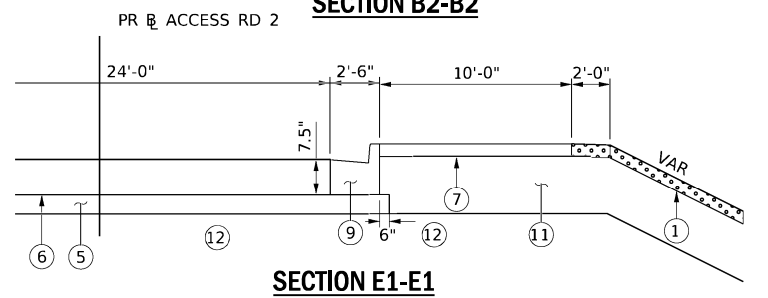
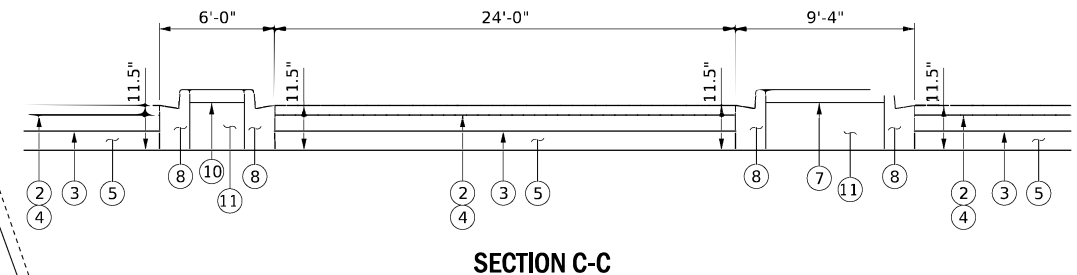
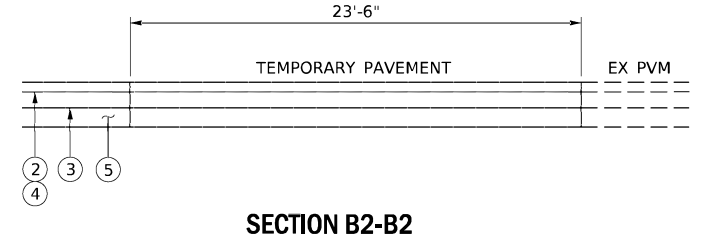
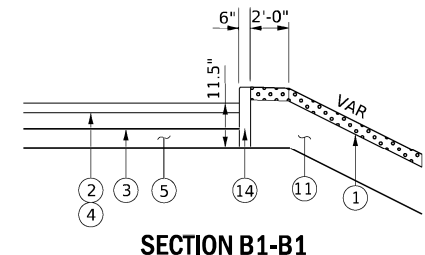
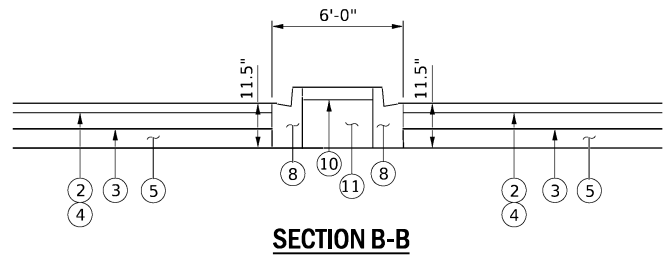
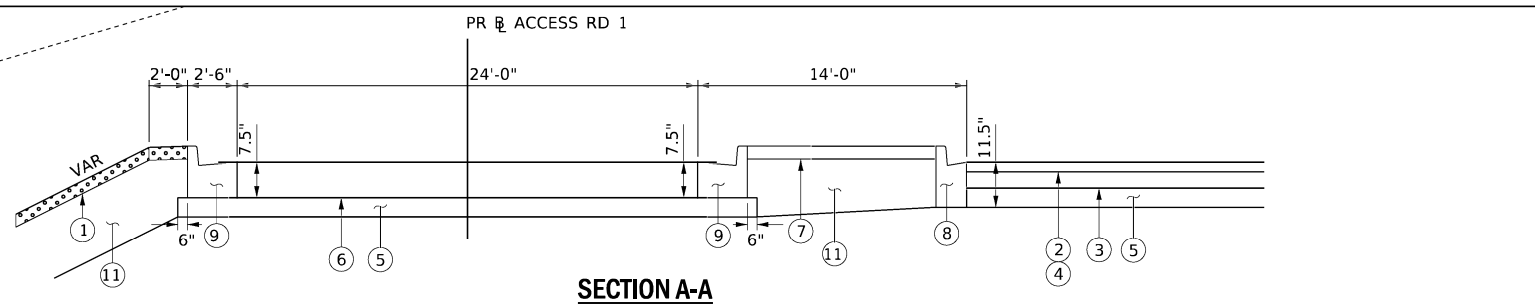
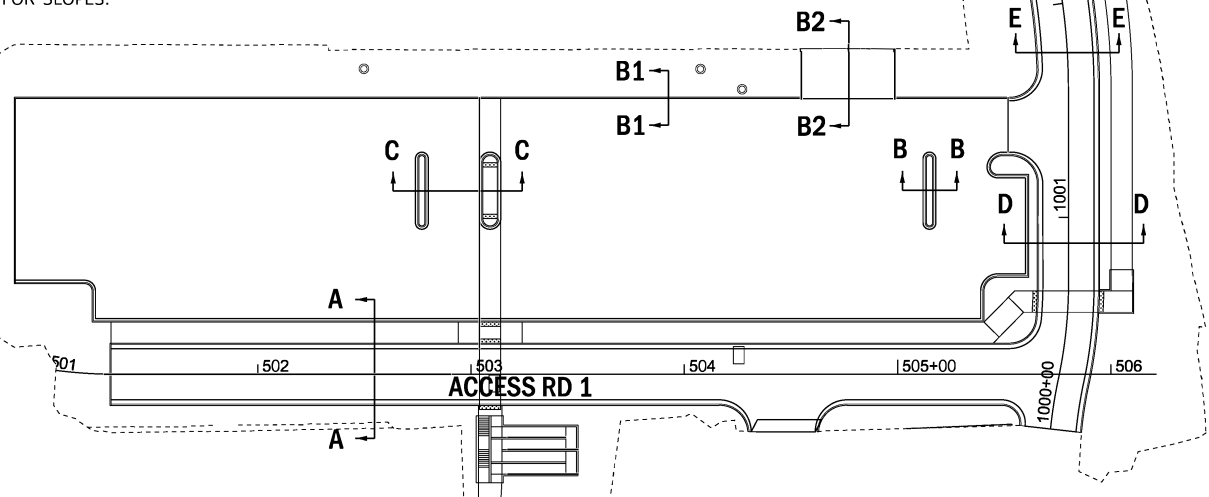
LEGEND

- ① TOPSOIL EXCAVATION AND PLACEMENT 4" (21101505)
- ② POLYMERIZED HOT-MIX ASPHALT SURFACE COURSE, IL-9.5FG, MIX "C", N50 (1.5") (40604100)
- ③ POLYMERIZED HOT-MIX ASPHALT BINDER COURSE, IL-19.0, N50 (4") (40603230)
- ④ BITUMINOUS MATERIALS (TACK COAT) (40600290) & LONGITUDINAL JOINT SEALANT (AT PAVING JOINTS ONLY) (40600370)
- ⑤ SUBBASE GRANULAR MATERIAL, TYPE B 6" (31101400)
- ⑥ PORTLAND CEMENT CONCRETE PAVEMENT 7 1/2" (JOINTED) (42000211)
- ⑦ PORTLAND CEMENT CONCRETE SIDEWALK 4 INCH (42400100)
- ⑧ COMBINATION CONCRETE CURB AND GUTTER, TYPE B-6.12 (60603800)
- ⑨ COMBINATION CONCRETE CURB AND GUTTER, TYPE B-6.24 (60605000)
- ⑩ CONCRETE MEDIAN SURFACE, 4 INCH (60618300)
- ⑪ EMBANKMENT
- ⑫ FILL, EMBANKMENT
- ⑬ DETECTABLE WARNING SURFACE (42400800)
- ⑭ CONCRETE CURB, TYPE B (60600605)

NOTE:

SEE GRADING PLANS, DETAILS, AND PROFILES FOR SLOPES.

LOCATION MAP



MODEL: Default
FILE NAME: P:\Rm093120\W0-DB\Design\DWG\Civil\CADD_Sheet13Typicals.dgn

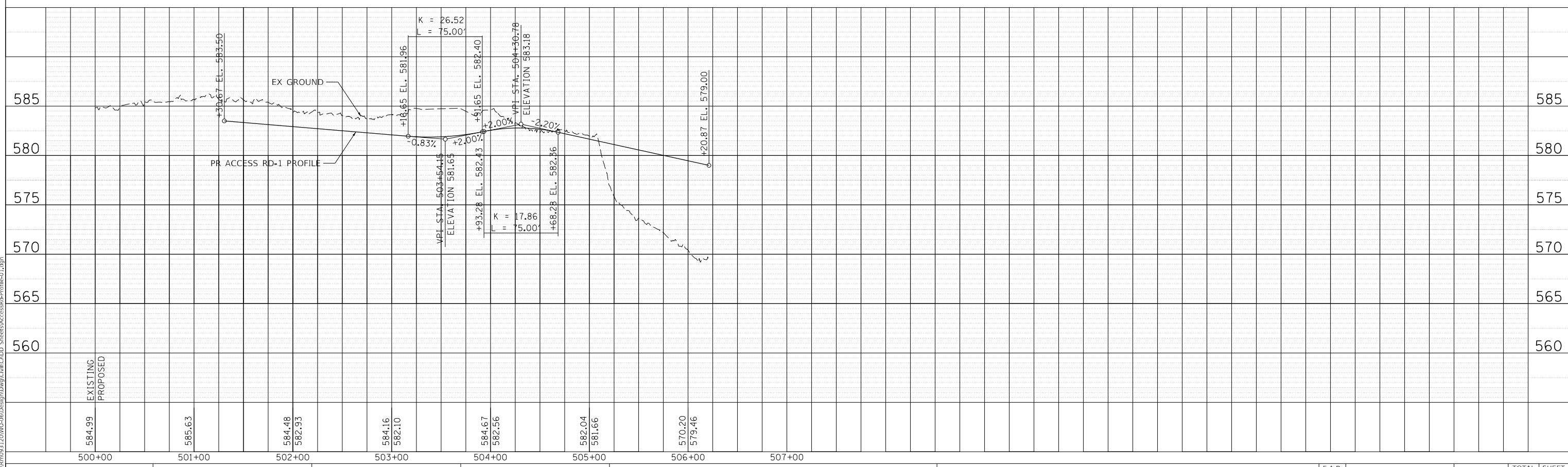
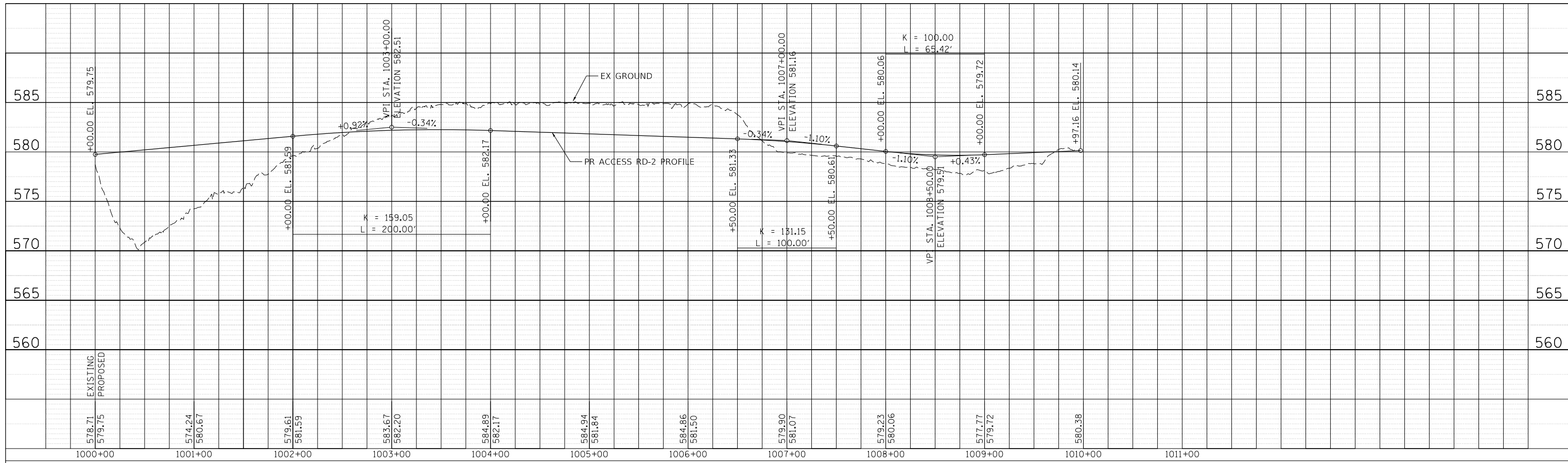


USER NAME = DBIakaj	DESIGNED - AW	REVISED -
PLOT SCALE = 60.0000' / ft.	DRAWN - DB	REVISED -
PLOT DATE = 3/1/2023	CHECKED - PH	REVISED -
	DATE - 01/26/2023	REVISED -

**STATE OF ILLINOIS
DEPARTMENT OF TRANSPORTATION**

TYPICAL SECTIONS	
SCALE: NONE	SHEET ___ OF ___ SHEETS
STA. _____	TO STA. _____

F.A.P. RTE. 663	SECTION HANLEY PARKING 2023	COUNTY SANGAMON	TOTAL SHEETS 90	SHEET NO. 23
ILLINOIS FED. AID PROJECT			CONTRACT NO. 72403	



MODEL: D:\Fault...
 FILE NAME: P:\30m093120\W0-06\Design\Drawings\Civil\CRDP_Sheets\AccessRd-Profile-01.dwg



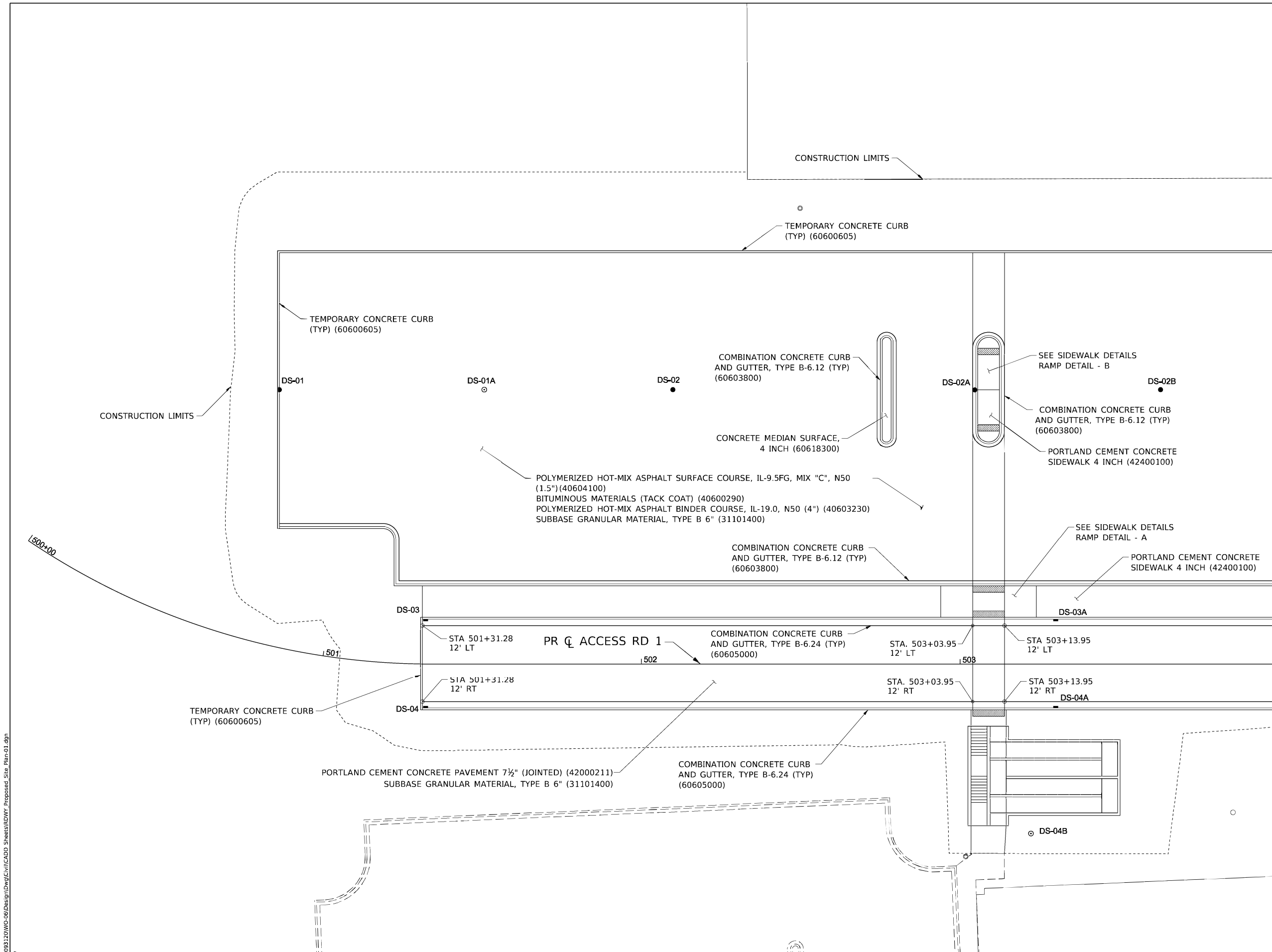
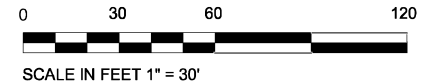
USER NAME = DBIakaj	DESIGNED - AW	REVISED -
PLOT SCALE = 600,0000' / ft.	DRAWN - DB	REVISED -
PLOT DATE = 3/1/2023	CHECKED - PH	REVISED -
	DATE - 10/06/2022	REVISED -

**STATE OF ILLINOIS
DEPARTMENT OF TRANSPORTATION**

ACCESS ROADS PROFILE

SCALE: SHEET OF SHEETS STA. TO STA.

F.A.P. RTE.	SECTION	COUNTY	TOTAL SHEETS	SHEET NO.
663	HANLEY PARKING 2022-1	SANGAMON	90	24
CONTRACT NO.			72403	
ILLINOIS FED. AID PROJECT				



MATCHLINE STATION 504+00
SEE SHEET NO. 26

MODEL: Default
FILE NAME: P:\Rm\093120\WC-08\Design\Draw\Civil\CADD_Sheets\RDWY_Proposed_Site_Plan-01.dgn



USER NAME = DBIakaj	DESIGNED - AW	REVISED -
PLOT SCALE = 180.0000' / ft.	DRAWN - DB	REVISED -
PLOT DATE = 3/1/2023	CHECKED - PH	REVISED -
	DATE = 01/28/2023	REVISED -

STATE OF ILLINOIS
DEPARTMENT OF TRANSPORTATION

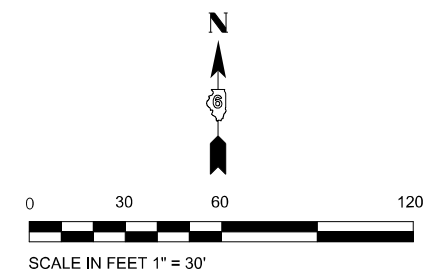
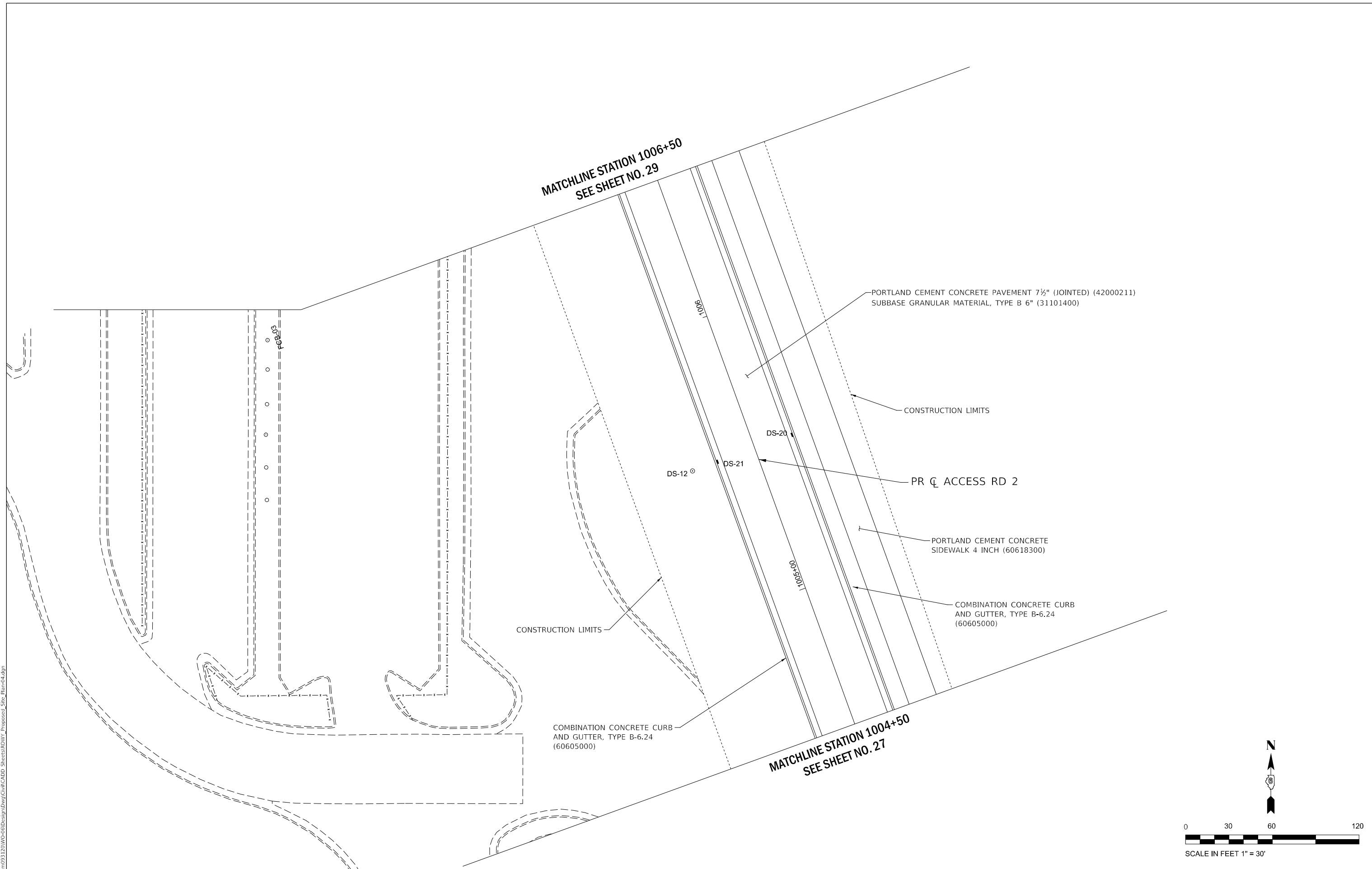
PROPOSED SITE PLAN
(AREA 01)

SCALE: 1" = 30' SHEET ___ OF ___ SHEETS STA. _____ TO STA. _____

F.A.P. RTE.	SECTION	COUNTY	TOTAL SHEETS	SHEET NO.
663	HANLEY PARKING 2023	SANGAMON	90	25
CONTRACT NO. 72403				

ILLINOIS FED. AID PROJECT

MODEL: D:\rme\1201\04\04\Design\Drawn\Drawn\Proposed_Site_Plan-04.dgn
 FILE NAME: P:\rme\093120\04\04\Design\Drawn\Drawn\Proposed_Site_Plan-04.dgn



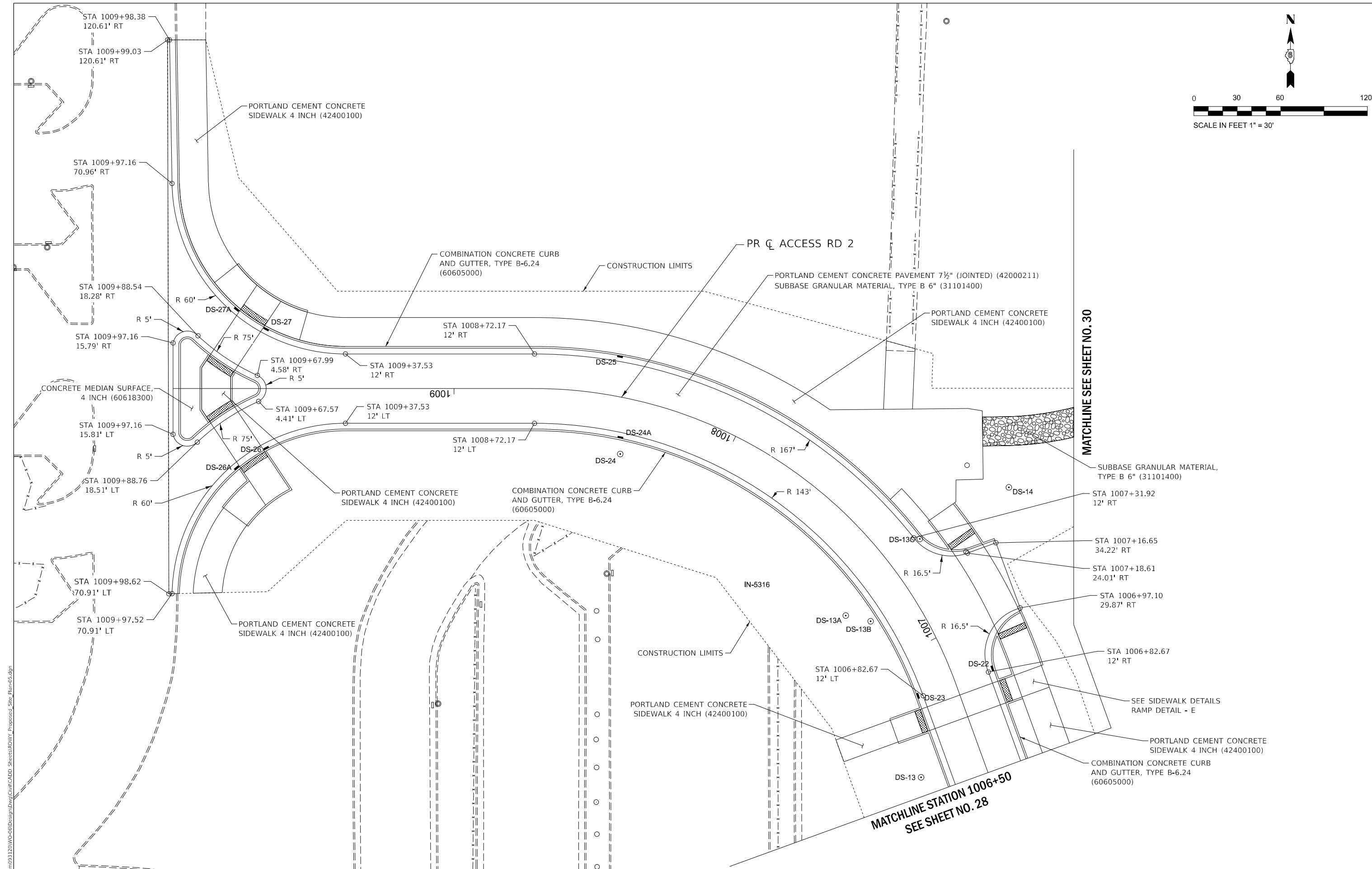
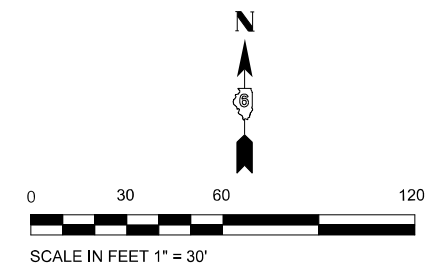
USER NAME = DBIakaJ	DESIGNED - AW	REVISED -
	DRAWN - DB	REVISED -
PLOT SCALE = 180,0000 ' / ft.	CHECKED - PH	REVISED -
PLOT DATE = 3/1/2023	DATE - 01/26/2023	REVISED -

**STATE OF ILLINOIS
 DEPARTMENT OF TRANSPORTATION**

**PROPOSED SITE PLAN
 (AREA 04)**

SCALE: 1" = 30' SHEET ___ OF ___ SHEETS STA. _____ TO STA. _____

F.A.P. RTE. 663	SECTION HANLEY PARKING 2023	COUNTY SANGAMON	TOTAL SHEETS 90	SHEET NO. 28
ILLINOIS FED. AID PROJECT			CONTRACT NO. 72403	



MODEL: Default
 FILE NAME: P:\Rm\093120\W0-CB\Design\Draw\Civil\CADD_Sheets\RDWY_Proposed_Site_Rln-05.dgn



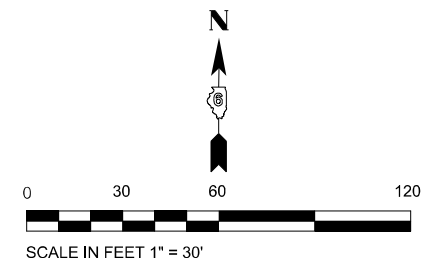
USER NAME = DBIakaj	DESIGNED - AW	REVISED -
	DRAWN - DB	REVISED -
PLOT SCALE = 1/80,000 ' / ft.	CHECKED - PH	REVISED -
PLOT DATE = 3/1/2023	DATE - 01/26/2023	REVISED -

**STATE OF ILLINOIS
DEPARTMENT OF TRANSPORTATION**

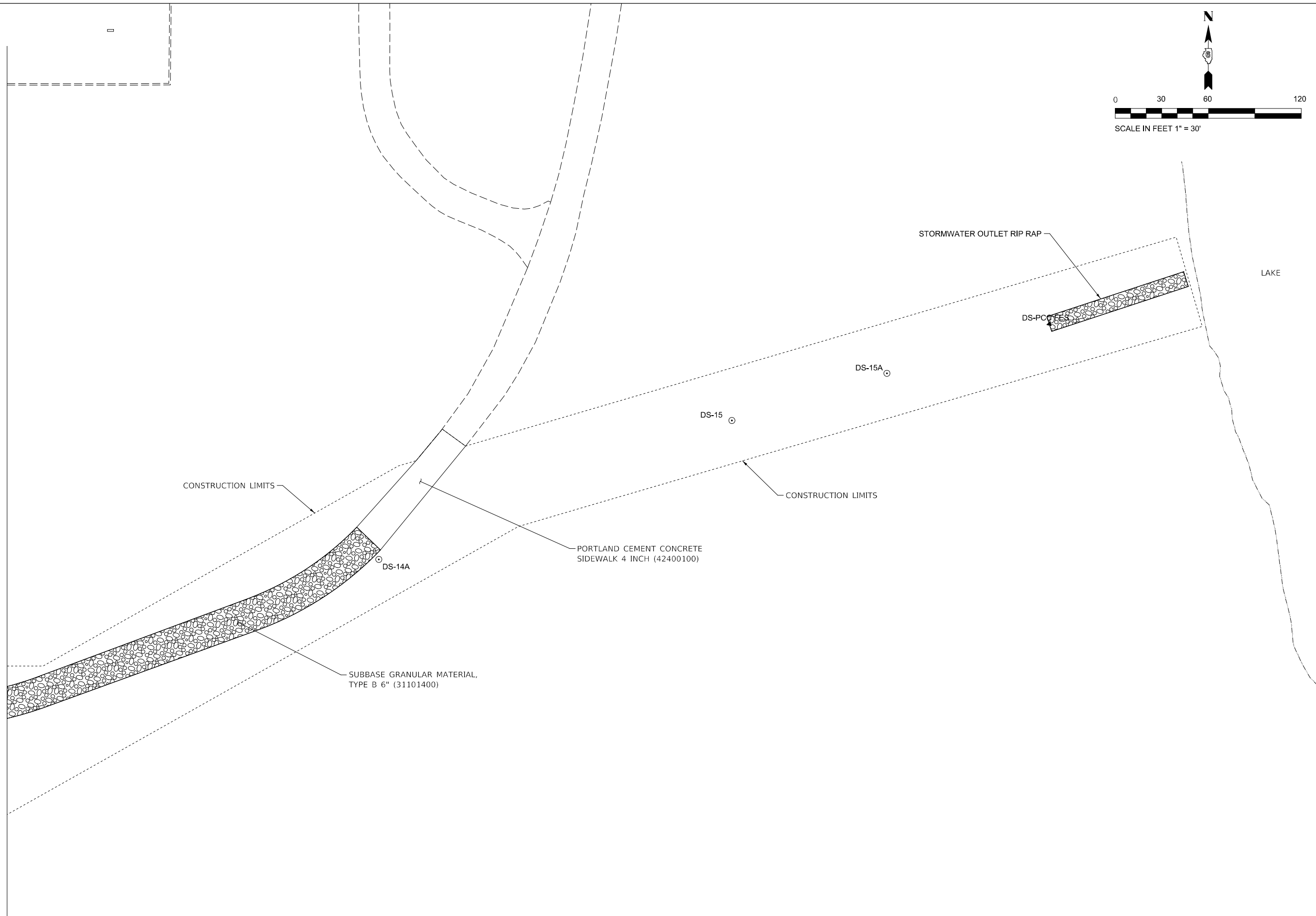
**PROPOSED SITE PLAN
(AREA 05)**

SCALE: 1" = 30' SHEET ___ OF ___ SHEETS STA. _____ TO STA. _____

F.A.P. RTE.	SECTION	COUNTY	TOTAL SHEETS	SHEET NO.
663	HANLEY PARKING 2023	SANGAMON	90	29
CONTRACT NO.			72403	
ILLINOIS FED. AID PROJECT				



MATCHLINE SEE SHEET NO. 29



MODEL: D:\default
FILE NAME: P:\Rm093120\WC-06\Design\Drawn\Cliff\CADD_Sheets\DWG_Proposed_Site_Plan-06.dgn



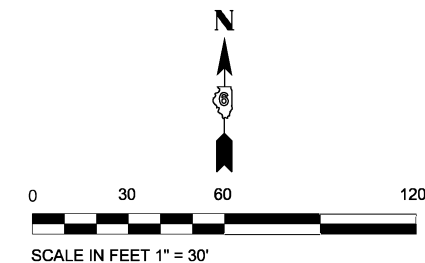
USER NAME = DBIakaj	DESIGNED - AW	REVISED -
	DRAWN - DB	REVISED -
PLOT SCALE = 180,0000 ' / ft.	CHECKED - PH	REVISED -
PLOT DATE = 3/1/2023	DATE - 01/26/2023	REVISED -

**STATE OF ILLINOIS
DEPARTMENT OF TRANSPORTATION**

**PROPOSED SITE PLAN
(AREA 06)**

SCALE: 1" = 30' SHEET OF SHEETS STA. TO STA.

F.A.P. RTE.	SECTION	COUNTY	TOTAL SHEETS	SHEET NO.
663	HANLEY PARKING 2023	SANGAMON	90	30
CONTRACT NO.			72403	
ILLINOIS		FED. AID PROJECT		



CONSTRUCTION LIMITS

TEMPORARY CONCRETE CURB
(60600605)

1
BC

TEMPORARY CONCRETE CURB
(60600605)

COMBINATION CONCRETE CURB
AND GUTTER, TYPE B-6.12 (TYP)
(60603800)

POLYMERIZED HOT-MIX ASPHALT SURFACE COURSE, IL-9.5FG, MIX "C", N50 (1.5")
(40604100)
BITUMINOUS MATERIALS (TACK COAT) (40600290)
POLYMERIZED HOT-MIX ASPHALT BINDER COURSE, IL-19.0, N50 (4") (40603230)
SUBBASE GRANULAR MATERIAL, TYPE B 6" (31101400)

R 3'

R 5'

PORTLAND CEMENT CONCRETE
SIDEWALK 4 INCH (42400100)

COMBINATION CONCRETE CURB
AND GUTTER, TYPE B-6.12 (TYP)
(60603800)

2
BC

R 5'

COMBINATION CONCRETE CURB
AND GUTTER, TYPE B-6.12 (TYP)
(60603800)

PORTLAND CEMENT CONCRETE
SIDEWALK 4 INCH (42400100)

3
BC

4
BC

5
BC

14
BC

15
BC

PRC ACCESS RD 1

COMBINATION CONCRETE CURB
AND GUTTER, TYPE B-6.24 (TYP)
(60605000)

TEMPORARY CONCRETE CURB
(60600605)

CONSTRUCTION LIMITS

PORTLAND CEMENT CONCRETE PAVEMENT 7 1/2" (JOINTED) (42000211)
SUBBASE GRANULAR MATERIAL, TYPE B 6" (31101400)

COMBINATION CONCRETE CURB
AND GUTTER, TYPE B-6.24 (TYP)
(60605000)

MATCHLINE STATION 504+00
SEE SHEET NO. 32

Point Table			
Point #	Description	Northing	Easting
1	BC	2454161.8170	1131828.0418
2	BC	2454165.5003	1131740.9532
3	BC	2454198.5541	1131742.3512
4	BC	2454202.1121	1131739.0819
5	BC	2454202.7284	1131724.5117
6	BC	2454352.5220	1131807.4988
7	BC	2454355.3529	1131807.6186
8	BC	2454356.6206	1131777.6453
9	BC	2454353.7897	1131777.5256
10	BC	2454382.5797	1131806.7683
11	BC	2454389.4070	1131807.0571
12	BC	2454390.5057	1131781.0803
13	BC	2454383.6784	1131780.7915
14	BC	2454211.4716	1131715.0385
15	BC	2454212.7039	1131685.8988

ABBREVIATIONS

- BC BACK OF CURB
- SW TOP OF SIDEWALK
- PAVE PAVEMENT EDGE

LEGEND

- CONCRETE PAVEMENT
- HMA PAVEMENT

MODEL: Default
FILE NAME: P:\Rm093120\WC-08\Design\Civil\CADD_Sheets\Parking_Lot_Proposed_Site_Plan-01.dgn



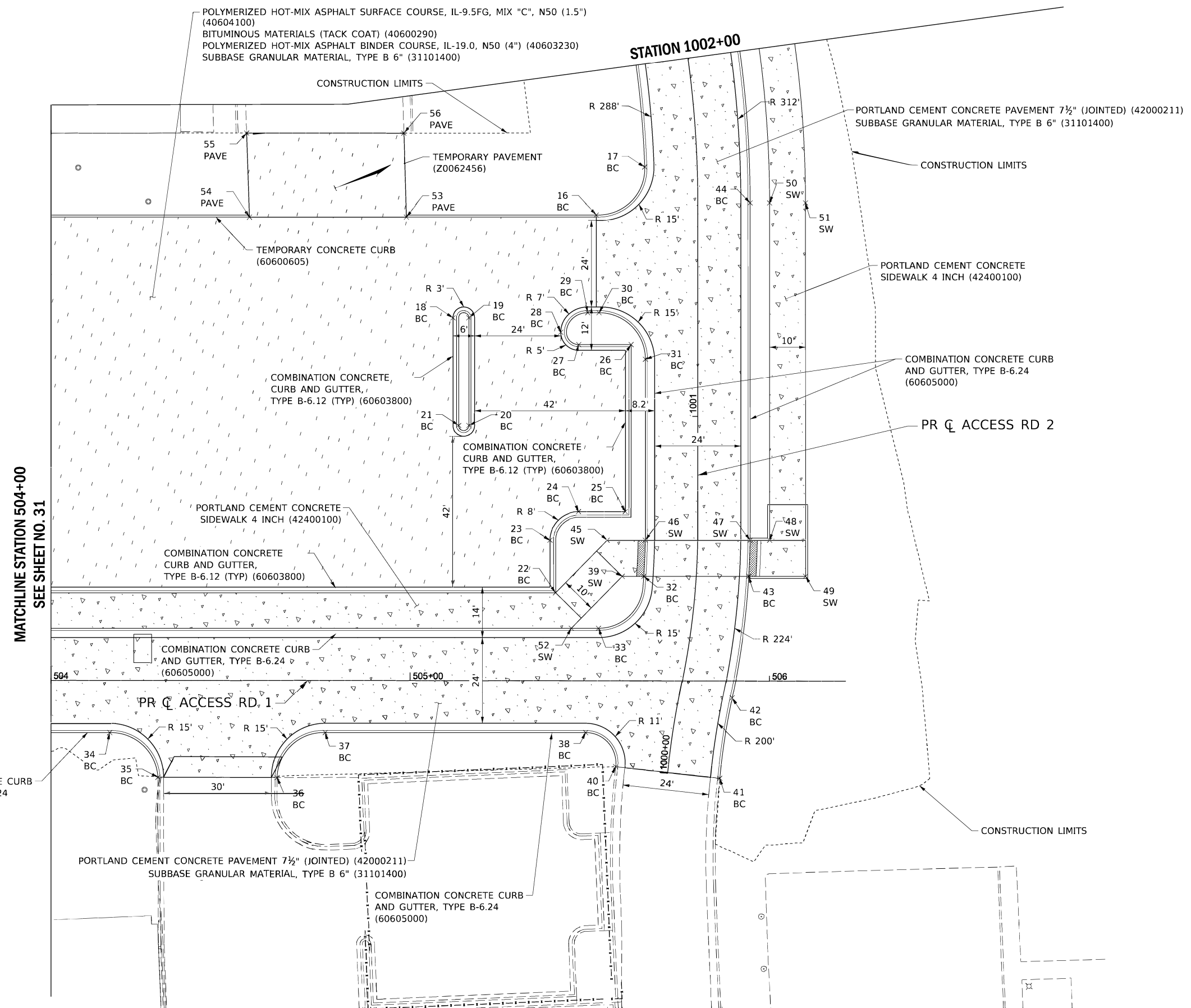
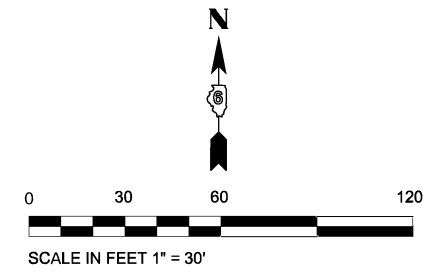
USER NAME = DBIakaj	DESIGNED - AW	REVISED -
PLOT SCALE = 180.0000' / ft.	DRAWN - DB	REVISED -
PLOT DATE = 3/1/2023	CHECKED - PH	REVISED -
	DATE - 01/28/2023	REVISED -

**STATE OF ILLINOIS
DEPARTMENT OF TRANSPORTATION**

**PROPOSED SITE PLAN
PARKING LOT (AREA 01)**

SCALE: 1" = 30' SHEET OF SHEETS STA. TO STA.

F.A.P. RTE.	SECTION	COUNTY	TOTAL SHEETS	SHEET NO.
663	HANLEY PARKING 2023	SANGAMON	90	31
ILLINOIS FED. AID PROJECT			CONTRACT NO. 72403	



Point Table			
Point #	Description	Northing	Easting
16	BC	2454627.3892	1131846.7033
17	BC	2454640.3155	1131860.6337
18	BC	2454588.7493	1131816.4606
19	BC	2454593.1620	1131816.6473
20	BC	2454594.4297	1131786.6741
21	BC	2454591.5989	1131786.5543
22	BC	2454620.4875	1131741.1512
23	BC	2454618.3451	1131755.6569
24	BC	2454625.9999	1131763.9878
25	BC	2454638.9883	1131764.5370
26	BC	2454638.6017	1131811.1456
27	BC	2454624.0314	1131810.5294
28	BC	2454618.8915	1131813.7318
29	BC	2454626.1559	1131819.4605
30	BC	2454629.3080	1131819.5938
31	BC	2454642.7600	1131807.2356
32	BC	2454644.8629	1131746.7602
33	BC	2454632.8786	1131731.8284
34	BC	2454498.1421	1131696.9419
35	BC	2454512.0720	1131685.1130
36	BC	2454545.2116	1131686.4373
37	BC	2454558.0890	1131699.4773
38	BC	2454630.5352	1131702.5414
39	BC	2454638.8612	1131746.5064
40	BC	2454639.2820	1131693.4762
41	BC	2454668.3796	1131691.4748
42	BC	2454670.8873	1131713.9126
43	BC	2454674.0752	1131747.9856
44	BC	2454670.4715	1131851.9066
45	SW	2454634.2524	1131756.3204
46	SW	2454644.8705	1131756.7695
47	SW	2454674.0151	1131758.0021
48	SW	2454679.4544	1131758.2322
49	SW	2454689.8698	1131748.6637
50	SW	2454675.4670	1131852.1187
51	SW	2454685.4580	1131852.5430
52	SW	2454625.3039	1131731.5081
53	PAVE	2454574.6042	1131843.8872
54	PAVE	2454530.9471	1131842.0408
55	PAVE	2454529.1567	1131865.4299
56	PAVE	2454572.9450	1131867.2819

ABBREVIATIONS

- BC BACK OF CURB
- SW TOP OF SIDEWALK
- PAVE PAVEMENT EDGE

LEGEND

- CONCRETE PAVEMENT
- HMA PAVEMENT

MATCHLINE STATION 504+00
SEE SHEET NO. 31

MODEL: Default
FILE NAME: P:\Rm093120\W0-08\Design\DWG\Civil\CADD_Sheets\Parking_Lot_Proposal_Site_Plan-02.dwg

RME Rubinos & Mesia Engineers, Inc.
200 S. Michigan Avenue, Suite 1500, Chicago, IL 60604-2482

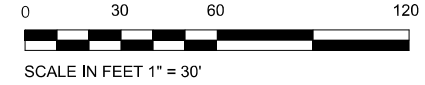
USER NAME = DBIakaj	DESIGNED - AW	REVISIONS
PLOT SCALE = 180.0000' / ft.	DRAWN - DB	REVISIONS
PLOT DATE = 3/1/2023	CHECKED - PH	REVISIONS
	DATE - 01/26/2023	REVISIONS

**STATE OF ILLINOIS
DEPARTMENT OF TRANSPORTATION**

**PROPOSED SITE PLAN
PARKING LOT (AREA 02)**

SCALE: 1" = 30' SHEET OF SHEETS STA. TO STA.

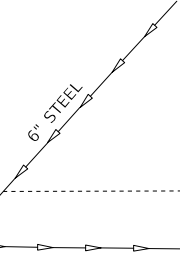
F.A.P. RTE. 663	SECTION HANLEY PARKING 2023	COUNTY SANGAMON	TOTAL SHEETS 90	SHEET NO. 32
ILLINOIS FED. AID PROJECT			CONTRACT NO. 72403	



UTILITY PLAN NOTES

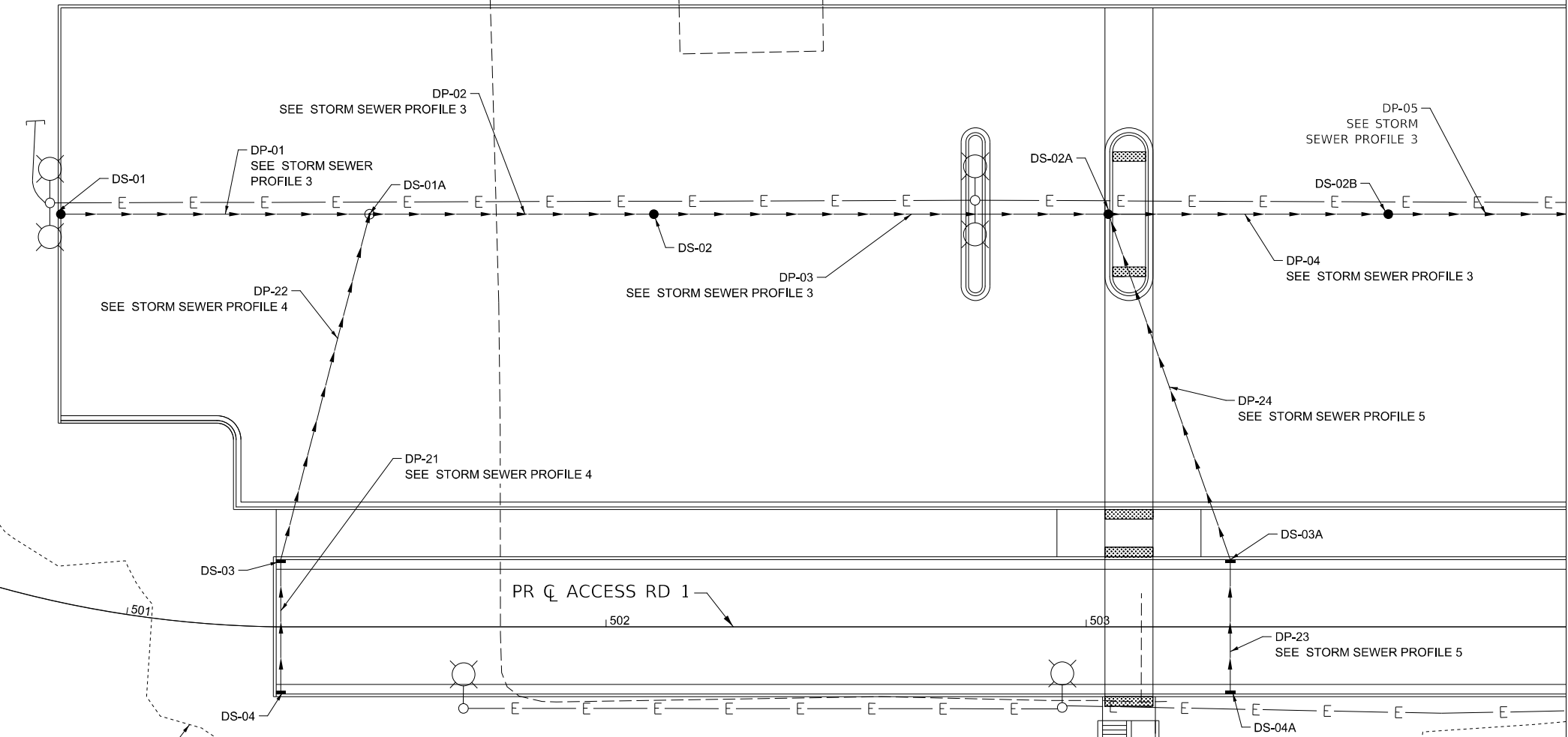
- 1. SEE SHEET 41 FOR PIPE AND STRUCTURE TABLES

MH #5275 SANITARY
RIM 584.033
INV 579.300 8" PVC E
INV 579.305 6" STEEL NE



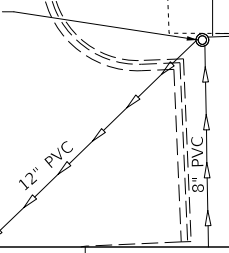
8" Sanitary

CONSTRUCTION LIMITS



MATCHLINE STATION 504+00
SEE SHEET NO. 34

MH # 5247
RIM 574.975
INV 569.195 12" PVC SW
INV 569.120 8" PVC S
INV 569.634 8" PVC E



INLET #5246
574.210
INV 572.321 4" PVC S

**UTILITY AND DRAINAGE PLAN
(AREA 01)**

**STATE OF ILLINOIS
DEPARTMENT OF TRANSPORTATION**

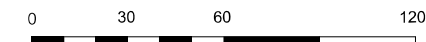
SCALE: 1" = 30' SHEET OF SHEETS STA. TO STA.

F.A.P. RTE.	SECTION	COUNTY	TOTAL SHEETS	SHEET NO.
663	HANLEY PARKING 2023	SANGAMON	90	33
CONTRACT NO.			72403	
ILLINOIS FED. AID PROJECT				

USER NAME = DBIakaj	DESIGNED - AW	REVISED -
PLOT SCALE = 180,0000' / ft.	DRAWN - DB	REVISED -
PLOT DATE = 3/1/2023	CHECKED - PH	REVISED -
	DATE - 01/26/2023	REVISED -



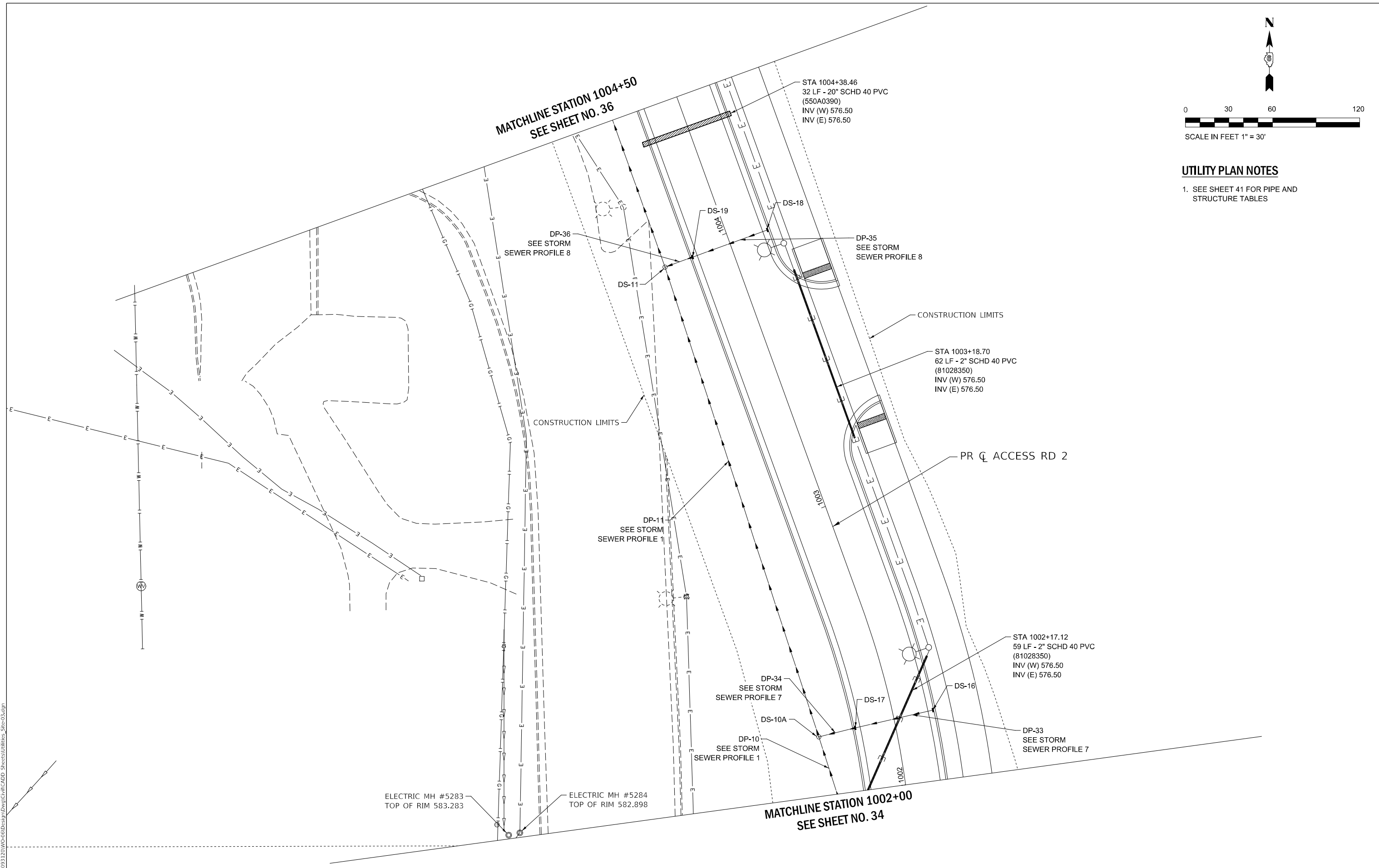
MODEL: D:\draft
FILE NAME: P:\R\093120\W\0-08\Design\DWG\CADD_Sheets\Utilities_Site-01.dwg



SCALE IN FEET 1" = 30'

UTILITY PLAN NOTES

1. SEE SHEET 41 FOR PIPE AND STRUCTURE TABLES



MODEL: Default
 FILE NAME: P:\Rm\093120\WC-06\Design\DWG\Civil\CADD_Sheets\Utilities_Site-03.dwg



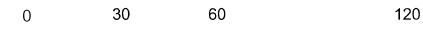
USER NAME = DBIakaJ	DESIGNED - AW	REVISED -
PLOT SCALE = 180,0000 ' / ft.	DRAWN - DB	REVISED -
PLOT DATE = 3/1/2023	CHECKED - PH	REVISED -
	DATE - 01/26/2023	REVISED -

**STATE OF ILLINOIS
DEPARTMENT OF TRANSPORTATION**

**UTILITY AND DRAINAGE PLAN
(AREA 03)**

SCALE: 1" = 30' SHEET OF SHEETS STA. TO STA.

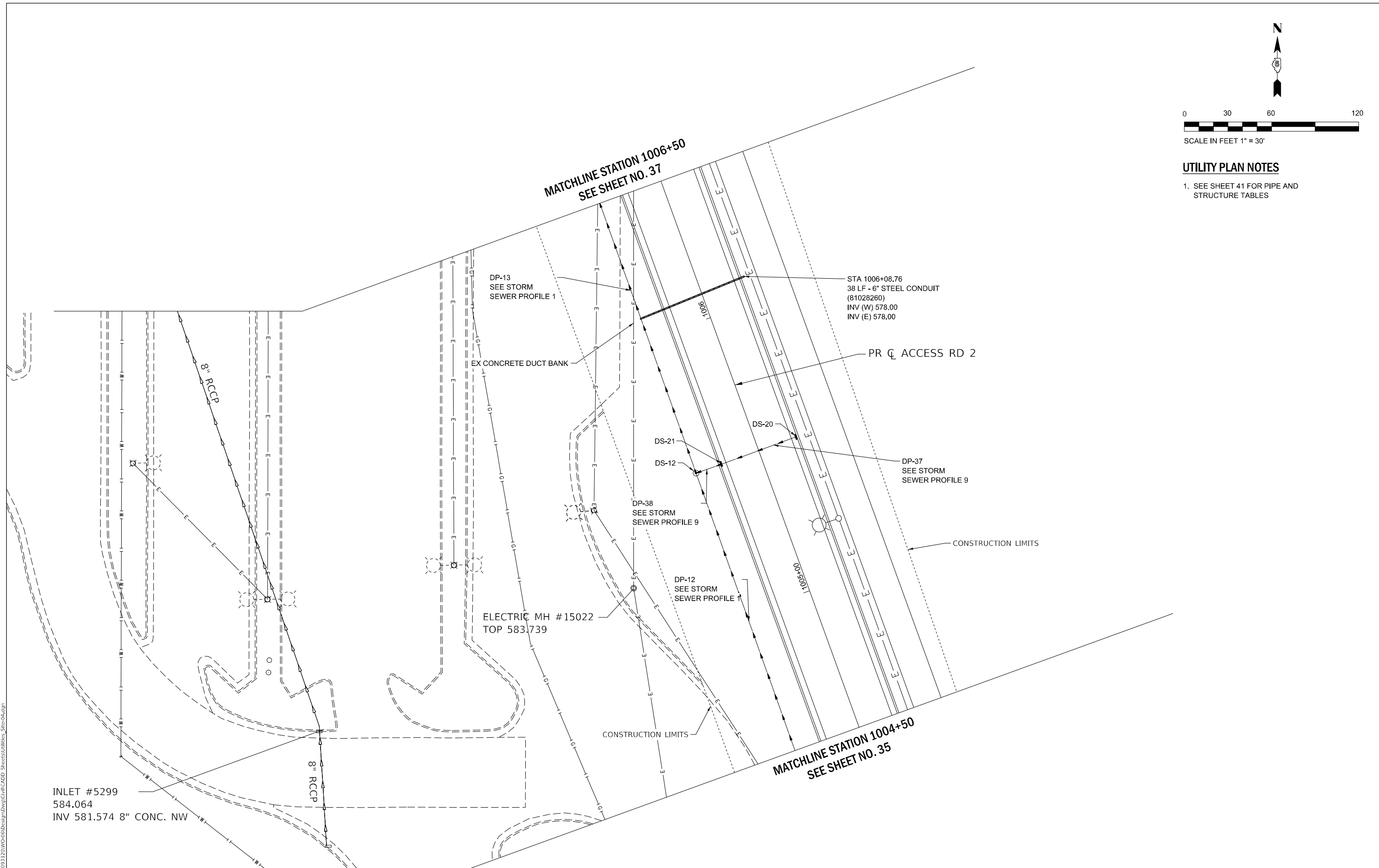
F.A.P. RTE.	SECTION	COUNTY	TOTAL SHEETS	SHEET NO.
663	HANLEY PARKING 2023	SANGAMON	90	35
CONTRACT NO.			72403	
ILLINOIS		FED. AID PROJECT		



SCALE IN FEET 1" = 30'

UTILITY PLAN NOTES

- 1. SEE SHEET 41 FOR PIPE AND STRUCTURE TABLES



MODEL: D:\proj\1201\WC-06\Design\DWG\Civil\CADD_Sheets\Utilities_Site-04.dgn
FILE NAME: P:\Rm0931201\WC-06\Design\DWG\Civil\CADD_Sheets\Utilities_Site-04.dgn



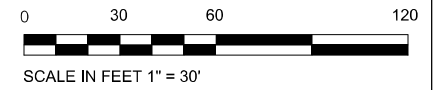
USER NAME = DBIakaj	DESIGNED - AW	REVISED -
PLOT SCALE = 180,0000 ' / ft.	DRAWN - DB	REVISED -
PLOT DATE = 3/1/2023	CHECKED - PH	REVISED -
	DATE - 01/26/2023	REVISED -

**STATE OF ILLINOIS
DEPARTMENT OF TRANSPORTATION**

**UTILITY AND DRAINAGE PLAN
(AREA 04)**

SCALE: 1" = 30' SHEET OF SHEETS STA. TO STA.

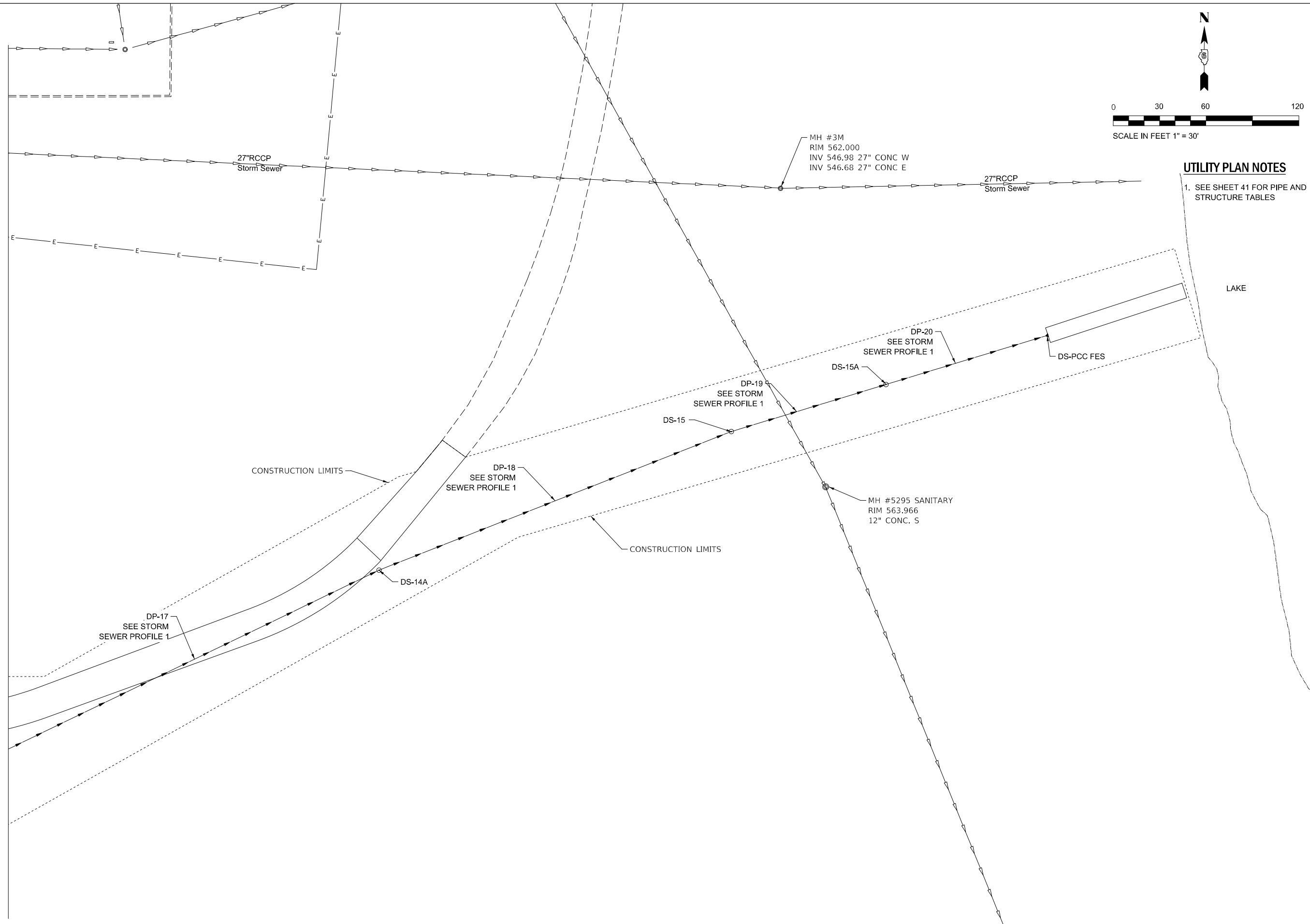
F.A.P. RTE.	SECTION	COUNTY	TOTAL SHEETS	SHEET NO.
663	HANLEY PARKING 2023	SANGAMON	90	36
CONTRACT NO. 72403				
ILLINOIS FED. AID PROJECT				



UTILITY PLAN NOTES

1. SEE SHEET 41 FOR PIPE AND STRUCTURE TABLES

MATCHLINE SEE SHEET NO. 37



MODEL: D:\default...
FILE NAME: P:\Rm093120\WC-06\Design\DWG\Civil\CADD_Sheets\Utilities_Sht-06.dwg



USER NAME = DBIakaj	DESIGNED - AW	REVISED -
	DRAWN - DB	REVISED -
PLOT SCALE = 180,0000 ' / ft.	CHECKED - PH	REVISED -
PLOT DATE = 3/1/2023	DATE - 01/26/2023	REVISED -

**STATE OF ILLINOIS
DEPARTMENT OF TRANSPORTATION**

**UTILITY AND DRAINAGE PLAN
(AREA 06)**

SCALE: 1" = 30' SHEET OF SHEETS STA. TO STA.

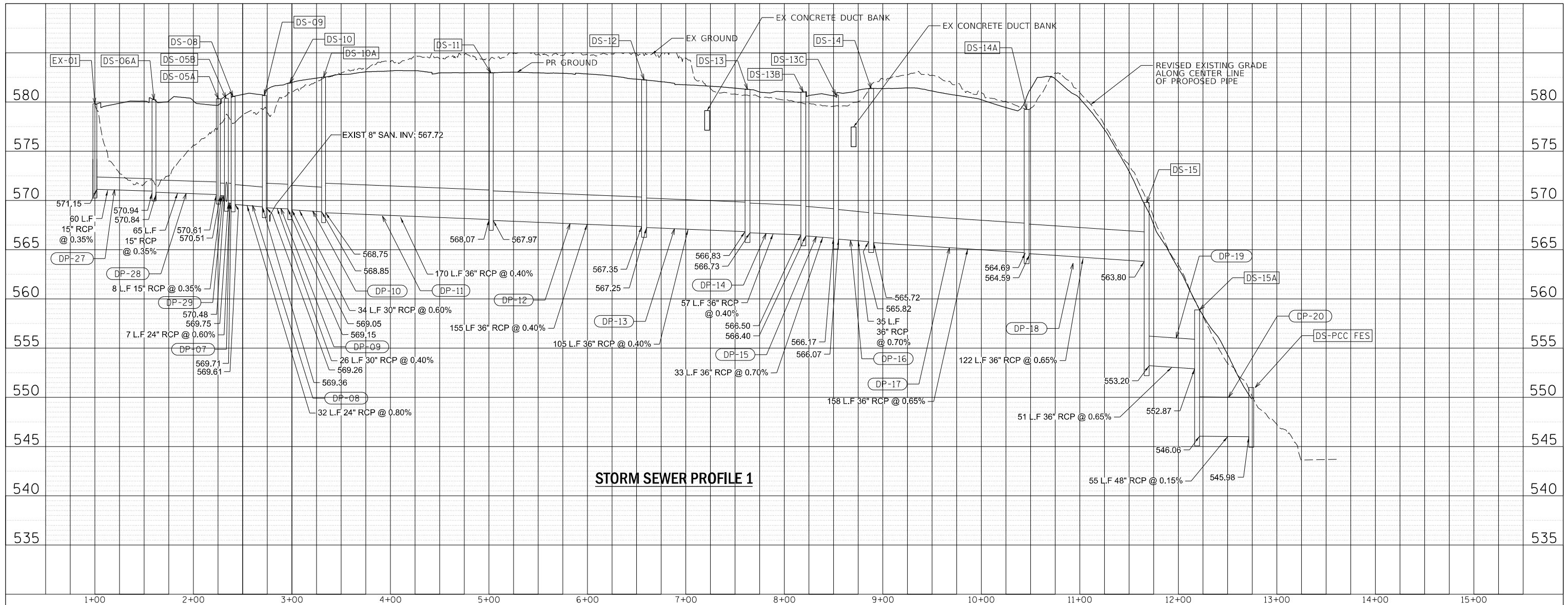
F.A.P. RTE.	SECTION	COUNTY	TOTAL SHEETS	SHEET NO.
663	HANLEY PARKING 2023	SANGAMON	90	38
ILLINOIS FED. AID PROJECT			CONTRACT NO. 72403	

PROPOSED DRAINAGE PIPES SCHEDULE OF QUANTITIES

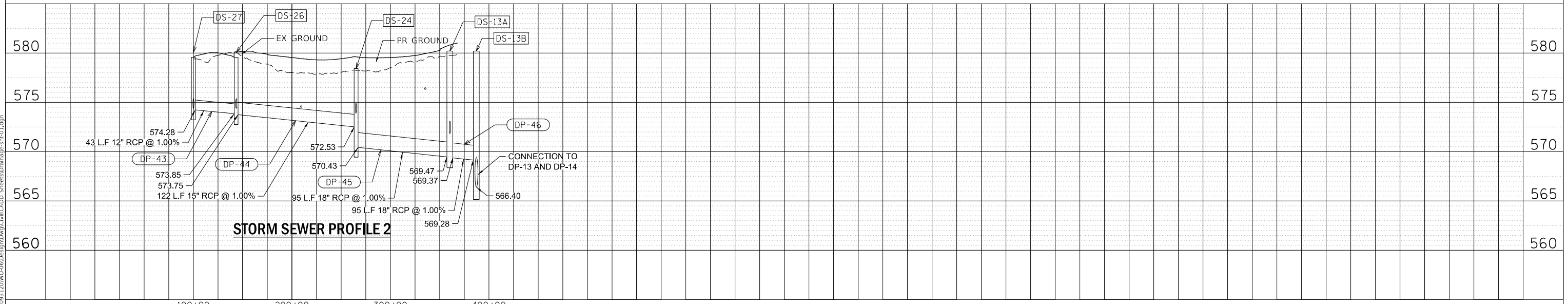
PIPE NO.	PIPE TYPE	TYPE	FROM STRUCTURE	TO STRUCTURE	FROM INVERT	TO INVERT	DIAMETER (IN)	LENGHT (FT)	SLOPE (%)	TBF (CY)	PAY ITEM
DP-01	STORM SEWERS, CLASS A, TYPE 2 18"	RCP	DS-01	DS-01A	573.67	573.03	18	64	1.00	85.77	550A0380
DP-02	STORM SEWERS, CLASS A, TYPE 2 18"	RCP	DS-01A	DS-02	572.93	572.34	18	59	1.00	78.89	550A0380
DP-03	STORM SEWERS, CLASS A, TYPE 2 24"	RCP	DS-02	DS-02A	572.24	571.67	24	95	0.60	133.27	550A0410
DP-04	STORM SEWERS, CLASS A, TYPE 2 24"	RCP	DS-02A	DS-02B	571.57	571.22	24	58	0.60	35.85	550A0410
DP-05	STORM SEWERS, CLASS A, TYPE 2 24"	RCP	DS-02B	DS-05	571.12	570.52	24	100	0.60	147.57	550A0410
DP-06	STORM SEWERS, CLASS A, TYPE 2 24"	RCP	DS-05	DS-05B	570.42	569.85	24	94	0.60	153.40	550A0410
DP-07	STORM SEWERS, CLASS A, TYPE 2 24"	RCP	DS-05B	DS-08	569.75	569.71	24	7	0.60	12.02	550A0410
DP-08	STORM SEWERS, CLASS A, TYPE 2 24"	RCP	DS-08	DS-09	569.61	569.36	24	32	0.80	57.07	550A0410
DP-09	STORM SEWERS, CLASS A, TYPE 2 30"	RCP	DS-09	DS-10	569.26	569.15	30	26	0.40	0.00	550A0430
DP-10	STORM SEWERS, CLASS A, TYPE 2 30"	RCP	DS-10	DS-10A	569.05	568.85	30	34	0.60	0.00	550A0430
DP-11	STORM SEWERS, CLASS A, TYPE 2 36"	RCP	DS-10A	DS-11	568.75	568.07	36	170	0.40	0.00	550A0450
DP-12	STORM SEWERS, CLASS A, TYPE 2 36"	RCP	DS-11	DS-12	567.97	567.35	36	155	0.40	0.00	550A0450
DP-13	STORM SEWERS, CLASS A, TYPE 2 36"	RCP	DS-12	DS-13	567.25	566.83	36	105	0.40	0.00	550A0450
DP-14	STORM SEWERS, CLASS A, TYPE 2 36"	RCP	DS-13	DS-13B	566.73	566.50	36	57	0.40	0.00	550A0450
DP-15	STORM SEWERS, CLASS A, TYPE 2 36"	RCP	DS-13B	DS-13C	566.40	566.17	36	33	0.70	96.70	550A0450
DP-16	STORM SEWERS, CLASS A, TYPE 2 36"	RCP	DS-13C	DS-14	566.07	565.82	36	35	0.70	0.00	550A0450
DP-17	STORM SEWERS, CLASS A, TYPE 2 36"	RCP	DS-14	DS-14A	565.72	564.69	36	158	0.65	0.00	550A0450
DP-18	STORM SEWERS, CLASS A, TYPE 2 36"	RCP	DS-14A	DS-15	564.59	563.80	36	122	0.65	0.00	550A0450
DP-19	STORM SEWERS, CLASS A, TYPE 2 36"	RCP	DS-15	DS-15A	553.20	552.87	36	51	0.65	0.00	550A0450
DP-20	STORM SEWERS, CLASS A, TYPE 2 48"	RCP	DS-15A	DS-PCC FES	546.06	545.98	48	55	0.15	0.00	550A0480
DP-21	STORM SEWERS, CLASS A, TYPE 2 12"	RCP	DS-04	DS-03	578.11	577.87	12	30	0.80	20.11	550A0340
DP-22	STORM SEWERS, CLASS A, TYPE 2 12"	RCP	DS-03	DS-01A	577.77	577.19	12	72	0.80	47.00	550A0340
DP-23	STORM SEWERS, CLASS A, TYPE 2 12"	RCP	DS-04A	DS-03A	576.81	576.57	12	30	0.80	20.09	550A0340
DP-24	STORM SEWERS, CLASS A, TYPE 2 12"	RCP	DS-03A	DS-02A	576.47	575.89	12	72	0.80	46.14	550A0340
DP-25	STORM SEWERS, CLASS A, TYPE 2 12"	RCP	DS-07	DS-06	575.40	575.16	12	30	0.80	20.11	550A0340
DP-26	STORM SEWERS, CLASS A, TYPE 2 12"	RCP	DS-06	DS-06A	575.06	574.88	12	23	0.80	14.28	550A0340
DP-27	STORM SEWERS, CLASS A, TYPE 2 15"	RCP	DS EX-01	DS-06A	571.15	570.94	15	60	0.35	70.53	550A0360
DP-28	STORM SEWERS, CLASS A, TYPE 2 15"	RCP	DS-06A	DS-05A	570.84	570.61	15	65	0.35	90.00	550A0360
DP-29	STORM SEWERS, CLASS A, TYPE 2 15"	RCP	DS-05A	DS-05B	570.51	570.48	15	8	0.35	11.68	550A0360
DP-30	STORM SEWERS, CLASS A, TYPE 2 12"	RCP	DS-08A	DS-08B	575.39	575.15	12	30	0.80	20.11	550A0340
DP-31	STORM SEWERS, CLASS A, TYPE 2 12"	RCP	DS-08B	DS-08	575.05	574.93	12	15	0.80	8.39	550A0340
DP-32	STORM SEWERS, CLASS A, TYPE 2 15"	RCP	IN-5613	DS-13A	572.08	571.84	15	19	1.25	0.00	550A0360
DP-33	STORM SEWERS, CLASS A, TYPE 2 12"	RCP	DS-16	DS-17	576.41	576.17	12	30	0.80	20.08	550A0340
DP-34	STORM SEWERS, CLASS A, TYPE 2 12"	RCP	DS-17	DS-10A	576.07	575.97	12	12	0.80	0.00	550A0340
DP-35	STORM SEWERS, CLASS A, TYPE 2 18"	RCP	DS-18	DS-19	574.25	574.01	18	30	0.80	22.90	550A0380
DP-36	STORM SEWERS, CLASS A, TYPE 2 18"	RCP	DS-19	DS-11	573.91	573.84	18	9	0.80	0.00	550A0380
DP-37	STORM SEWERS, CLASS A, TYPE 2 12"	RCP	DS-20	DS-21	573.75	573.51	12	30	0.80	22.12	550A0340
DP-38	STORM SEWERS, CLASS A, TYPE 2 12"	RCP	DS-21	DS-12	573.41	573.35	12	8	0.80	0.00	550A0340
DP-39	STORM SEWERS, CLASS A, TYPE 2 12"	RCP	DS-23	DS-22	574.10	573.80	12	30	1.00	22.61	550A0340
DP-40	STORM SEWERS, CLASS A, TYPE 2 12"	RCP	DS-22	DS-14	573.70	573.08	12	62	1.00	34.93	550A0340
DP-41	STORM SEWERS, CLASS A, TYPE 2 12"	RCP	DS-26A	DS-26	574.50	574.38	12	12	1.00	8.05	550A0340
DP-42	STORM SEWERS, CLASS A, TYPE 2 12"	RCP	DS-27A	DS-27	574.50	574.38	12	12	1.00	8.05	550A0340
DP-43	STORM SEWERS, CLASS A, TYPE 2 12"	RCP	DS-27	DS-26	574.28	573.85	12	43	1.00	34.33	550A0340
DP-44	STORM SEWERS, CLASS A, TYPE 2 15"	RCP	DS-26	DS-24	573.75	572.53	15	122	1.00	0.00	550A0360
DP-45	STORM SEWERS, CLASS A, TYPE 2 18"	RCP	DS-24	DS-13A	570.43	569.47	18	96	1.00	0.00	550A0380
DP-46	STORM SEWERS, CLASS A, TYPE 2 18"	RCP	DS-13A	DS-13B	569.37	569.28	18	9	1.00	0.00	550A0380
DP-47	STORM SEWERS, CLASS A, TYPE 2 12"	RCP	DS-25	DS-24A	574.35	574.04	12	31	1.00	22.34	550A0340
DP-48	STORM SEWERS, CLASS A, TYPE 2 12"	RCP	DS-24A	DS-24	573.94	573.90	12	4	1.00	0.00	550A0340

PROPOSED DRAINAGE STRUCTURES OF QUANTITIES

STRUCTURE NO.	STRUCTURE TYPE	STATION	OFFSET	ALIGNMENT	RIM ELEVATION	LOWER INVERT AND DIRECTION		UPPER INVERT AND DIRECTION		PAY ITEM
						INVERT	DIRECTION	INVERT	DIRECTION	
DS-01	CATCH BASINS, TYPE A, 4' DIAMETER, TYPE 3 FRAME AND GRATE	500+60.06	78.15 LT	PR ACCESS RD 1	581.88	-	-	573.67	E	60200305
DS-01A	MANHOLES, TYPE A, 4'-DIAMETER, TYPE 1 FRAME, CLOSED LID	501+50.75	86.00 LT	PR ACCESS RD 1	582.31	573.03	W	572.93	E	60218400
DS-02	CATCH BASINS, TYPE A, 4' DIAMETER, TYPE 1 FRAME, OPEN LID	502+09.95	86.00 LT	PR ACCESS RD 1	580.84	572.34	W	572.24	E	60200105
DS-02A	CATCH BASINS, TYPE A, 4' DIAMETER, TYPE 3 FRAME AND GRATE	503+04.06	86.00 LT	PR ACCESS RD 1	580.89	571.67	W	571.57	E	60200305
DS-02B	CATCH BASINS, TYPE A, 4' DIAMETER, TYPE 1 FRAME, OPEN LID	503+62.94	86.00 LT	PR ACCESS RD 1	580.43	571.22	W	571.12	E	60200105
DS-03	INLETS, TYPE B, TYPE 3 FRAME AND GRATE	501+32.27	14.00 LT	PR ACCESS RD 1	583.11	577.87	S	577.77	N	60240220
DS-03A	INLETS, TYPE B, TYPE 3 FRAME AND GRATE	502+89.70	14.00 LT	PR ACCESS RD 1	581.63	576.57	S	576.47	N	60240220
DS-04	INLETS, TYPE B, TYPE 3 FRAME AND GRATE	501+32.27	14.00 RT	PR ACCESS RD 1	583.11	-	-	578.11	N	60240220
DS-04A	INLETS, TYPE B, TYPE 3 FRAME AND GRATE	502+89.70	14.00 RT	PR ACCESS RD 1	581.63	-	-	576.81	N	60240220
DS-04B	INLETS, TYPE A, TYPE 1 FRAME, OPEN LID	503+22.23	53.26 RT	PR ACCESS RD 1	574.09	-	-	572.14	S	60234200
DS-05	CATCH BASINS, TYPE A, 4' DIAMETER, TYPE 1 FRAME, OPEN LID	504+62.94	86.00 LT	PR ACCESS RD 1	579.78	570.52	W	570.42	E	60200105
DS-05A	MANHOLES, TYPE A, 4'-DIAMETER, TYPE 1 FRAME, CLOSED LID	1001+16.97	15.49 LT	PR ACCESS RD 2	580.24	570.61	S	570.51	NW	60218400
DS-05B	MANHOLES, TYPE A, 5'-DIAMETER, TYPE 1 FRAME, CLOSED LID	505+56.55	97.63 LT	PR ACCESS RD 1	580.69	569.85	W	569.75	E	60221100
DS-06	INLETS, TYPE B, TYPE 3 FRAME AND GRATE	505+40.61	14.00 LT	PR ACCESS RD 1	580.40	575.16	S	575.06	NE	60240220
DS-06A	MANHOLES, TYPE A, 4'-DIAMETER, TYPE 1 FRAME, CLOSED LID	1000+49.98	17.76 LT	PR ACCESS RD 2	580.24	570.94	S	570.84	N	60218400
DS-07	INLETS, TYPE B, TYPE 3 FRAME AND GRATE	505+40.61	14.00 RT	PR ACCESS RD 1	580.40	-	-	575.40	N	60240220
DS-08	MANHOLES, TYPE A, 5'-DIAMETER, TYPE 1 FRAME, CLOSED LID	1001+26.39	17.19 LT	PR ACCESS RD 2	580.49	569.71	W	569.61	N	60221100
DS-08A	INLETS, TYPE B, TYPE 3 FRAME AND GRATE	1001+11.40	14.00 RT	PR ACCESS RD 2	580.39	-	-	575.39	W	60240220
DS-08B	INLETS, TYPE B, TYPE 3 FRAME AND GRATE	1001+11.40	14.00 LT	PR ACCESS RD 2	580.39	575.15	E	575.05	NW	60240220
DS-09	MANHOLES, TYPE A, 5'-DIAMETER, TYPE 1 FRAME, CLOSED LID	1001+57.88	21.04 LT	PR ACCESS RD 2	580.55	569.36	S	569.26	N	60240220
DS-10	MANHOLES, TYPE A, 5'-DIAMETER, TYPE 1 FRAME, CLOSED LID	1001+85.66	21.01 LT	PR ACCESS RD 2	580.87	569.15	S	569.05	N	60221100
DS-10A	MANHOLES, TYPE A, 5'-DIAMETER, TYPE 1 FRAME, CLOSED LID	1002+22.39	26.61 LT	PR ACCESS RD 2	582.45	568.07	S	567.97	N	60221100
DS-11	MANHOLES, TYPE A, 5'-DIAMETER, TYPE 1 FRAME, CLOSED LID	1003+96.26	23.79 LT	PR ACCESS RD 2	582.33	567.35	S	567.25	N	60221100
DS-12	MANHOLES, TYPE A, 5'-DIAMETER, TYPE 1 FRAME, CLOSED LID	1005+51.40	22.91 LT	PR ACCESS RD 2	581.58	566.83	S	566.73	N	60221100
DS-13	MANHOLES, TYPE A, 5'-DIAMETER, TYPE 1 FRAME, CLOSED LID	1006+56.40	22.31 LT	PR ACCESS RD 2	580.99	566.50	S	566.40	N	60221100
DS-13A	MANHOLES, TYPE A, 5'-DIAMETER, TYPE 1 FRAME, CLOSED LID	1007+24.50	22.95 LT	PR ACCESS RD 2	580.66	569.47	NW	569.37	E	60221100
DS-13B	MANHOLES, TYPE A, 5'-DIAMETER, TYPE 1 FRAME, CLOSED LID	1007+17.10	16.91 LT	PR ACCESS RD 2	580.99	566.50	S	566.40	NE	60221100
DS-13C	MANHOLES, TYPE A, 5'-DIAMETER, TYPE 1 FRAME, CLOSED LID	1007+30.71	13.44 RT	PR ACCESS RD 2	580.62	566.17	SW	566.07	E	60221100
DS-14	MANHOLES, TYPE A, 5'-DIAMETER, TYPE 1 FRAME, CLOSED LID	1007+27.12	48.76 RT	PR ACCESS RD 2	580.99	565.82	W	565.72	E	60221100
DS-14A	CATCH BASINS, TYPE A, 5' DIAMETER, TYPE 1 FRAME, CLOSED LID		SHEET NO. 38		582.21	564.69	W	564.59	E	60203905
DS-15	CATCH BASINS, TYPE A, 5' DIAMETER, TYPE 1 FRAME, CLOSED LID		SHEET NO. 38		579.23	563.80	W	553.20	E	60203905
DS-15A	MANHOLES, TYPE A, 6'-DIAMETER, TYPE 1 FRAME, CLOSED LID		SHEET NO. 38		565.35	552.87	W	546.06	E	60223800
DS-16	INLETS, TYPE B, TYPE 3 FRAME AND GRATE	1002+23.03	14.00 RT	PR ACCESS RD 2	581.41	-	-	576.41	W	60240220
DS-17	INLETS, TYPE B, TYPE 3 FRAME AND GRATE	1002+23.03	14.00 LT	PR ACCESS RD 2	581.40	576.17	E	576.07	W	60240220
DS-18	INLETS, TYPE B, TYPE 3 FRAME AND GRATE	1003+96.26	14.00 RT	PR ACCESS RD 2	581.80	-	-	574.25	W	60240220
DS-19	INLETS, TYPE B, TYPE 3 FRAME AND GRATE	1003+96.26	14.00 LT	PR ACCESS RD 2	581.80	574.01	E	573.91	W	60240220
DS-20	INLETS, TYPE B, TYPE 3 FRAME AND GRATE	1005+51.40	14.00 RT	PR ACCESS RD 2	581.28	-	-	573.75	W	60240220
DS-21	INLETS, TYPE B, TYPE 3 FRAME AND GRATE	1005+51.40	14.00 LT	PR ACCESS RD 2	581.28	573.51	E	573.41	W	60240220
DS-22	INLETS, TYPE B, TYPE 3 FRAME AND GRATE	1006+83.30	14.00 LT	PR ACCESS RD 2	581.22	573.80	W	573.70	N	60240220
DS-23	INLETS, TYPE B, TYPE 3 FRAME AND GRATE	1006+83.30	14.00 RT	PR ACCESS RD 2	580.79	-	-	574.10	E	60240220
DS-24	MANHOLES, TYPE A, 4'-DIAMETER, TYPE 1 FRAME, CLOSED LID	1008+38.02	19.34 LT	PR ACCESS RD 2	578.43	572.53	W	572.43	SE	60218400
DS-24A	INLETS, TYPE B, TYPE 3 FRAME AND GRATE	1008+39.33	14.00 LT	PR ACCESS RD 2	579.37	574.04	N	573.94	S	60240220
DS-25	INLETS, TYPE B, TYPE 3 FRAME AND GRATE	1008+44.84	14.00 RT	PR ACCESS RD 2	579.35	-	-	574.35	S	60240220
DS-26	INLETS, TYPE B, TYPE 3 FRAME AND GRATE	1009+64.96	20.55 LT	PR ACCESS RD 2	580.06	573.85	N	573.75	E	60240220
DS-26A	INLETS, TYPE B, TYPE 3 FRAME AND GRATE	1009+74.96	27.65 LT	PR ACCESS RD 2	579.57	-	-	574.50	NE	60240220
DS-27	INLETS, TYPE B, TYPE 3 FRAME AND GRATE	1009+64.96	20.55 RT	PR ACCESS RD 2	579.56	574.38	NW	574.28	S	



STORM SEWER PROFILE 1



STORM SEWER PROFILE 2

MODEL: D:\Fault...
 FILE NAME: P:\m03120\W0-06\Design\DWG\Civil\CRDP_Sheets\Drainage\sheet1.dwg

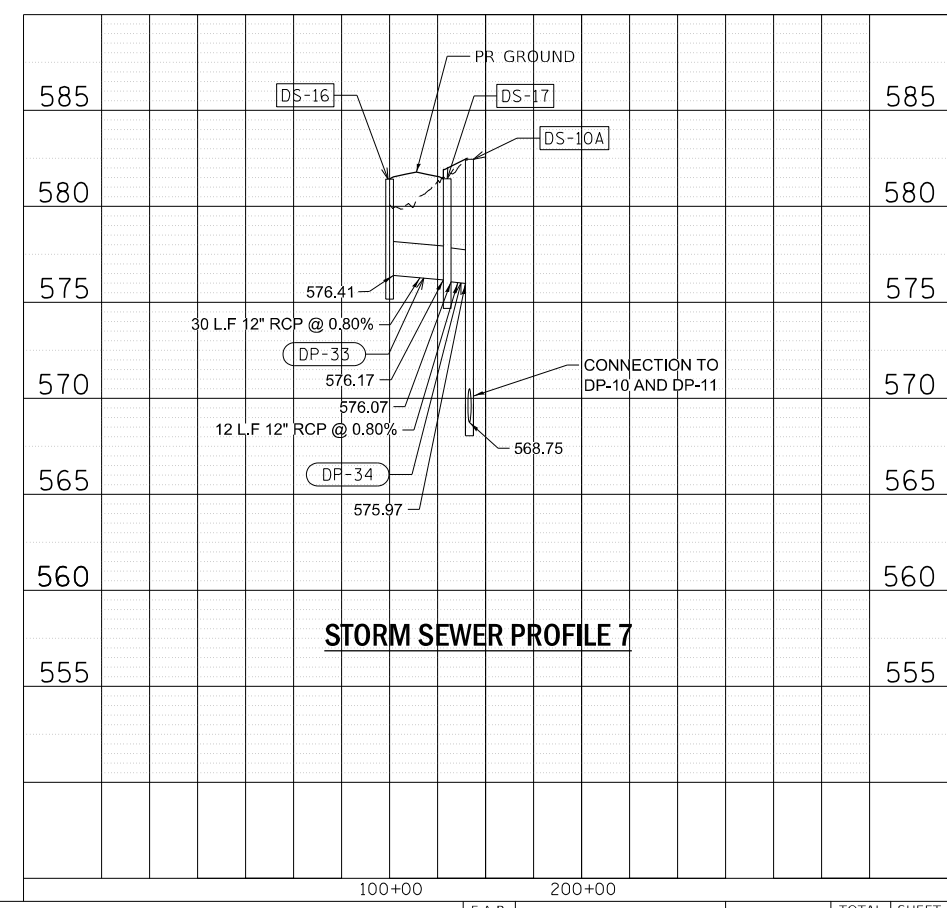
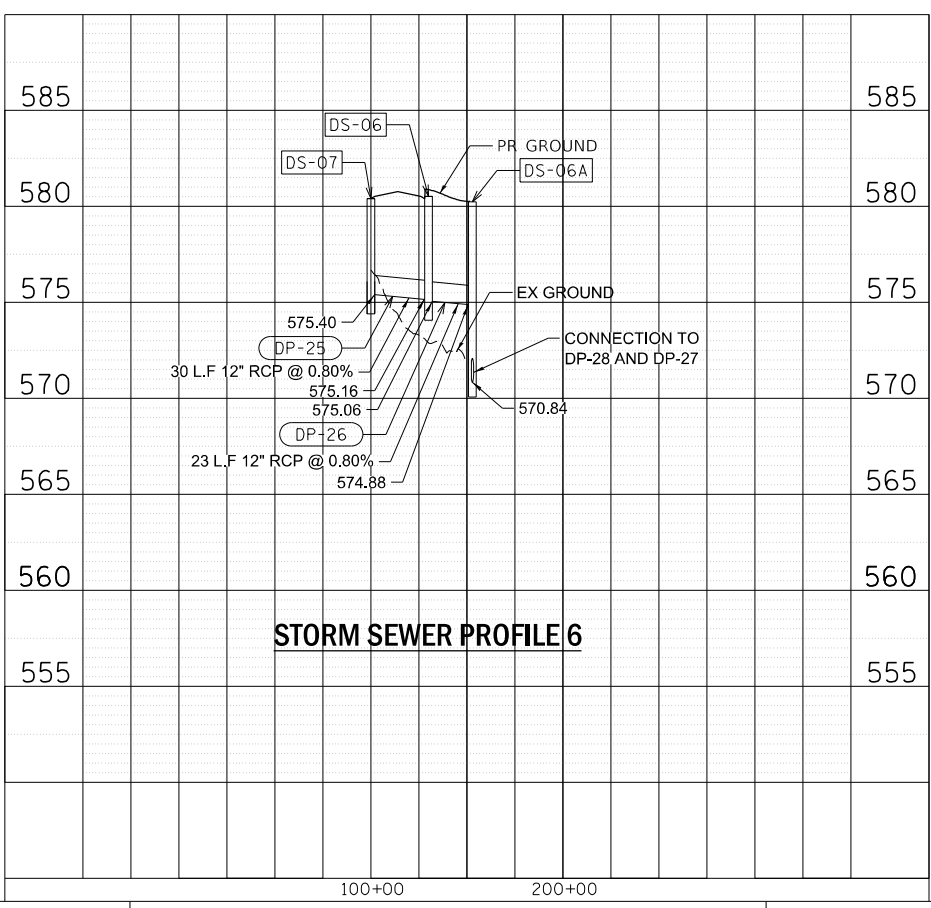
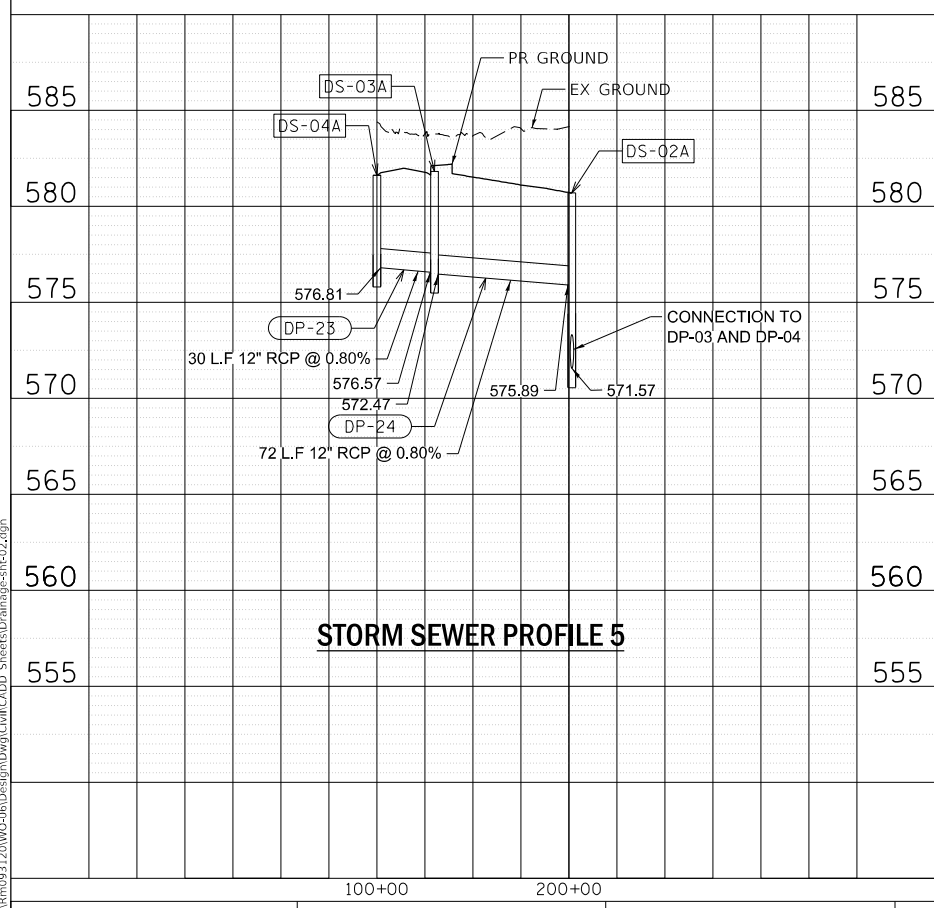
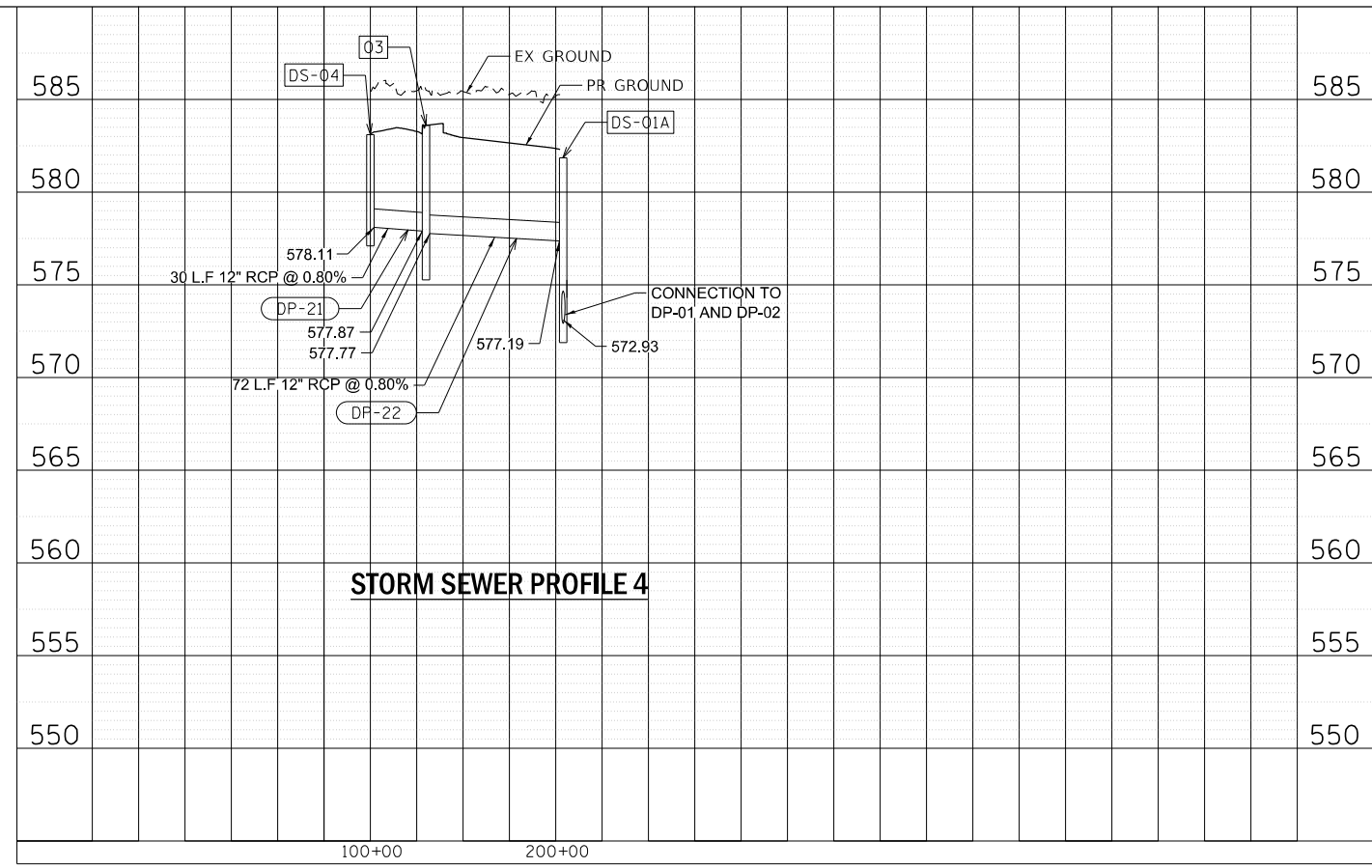
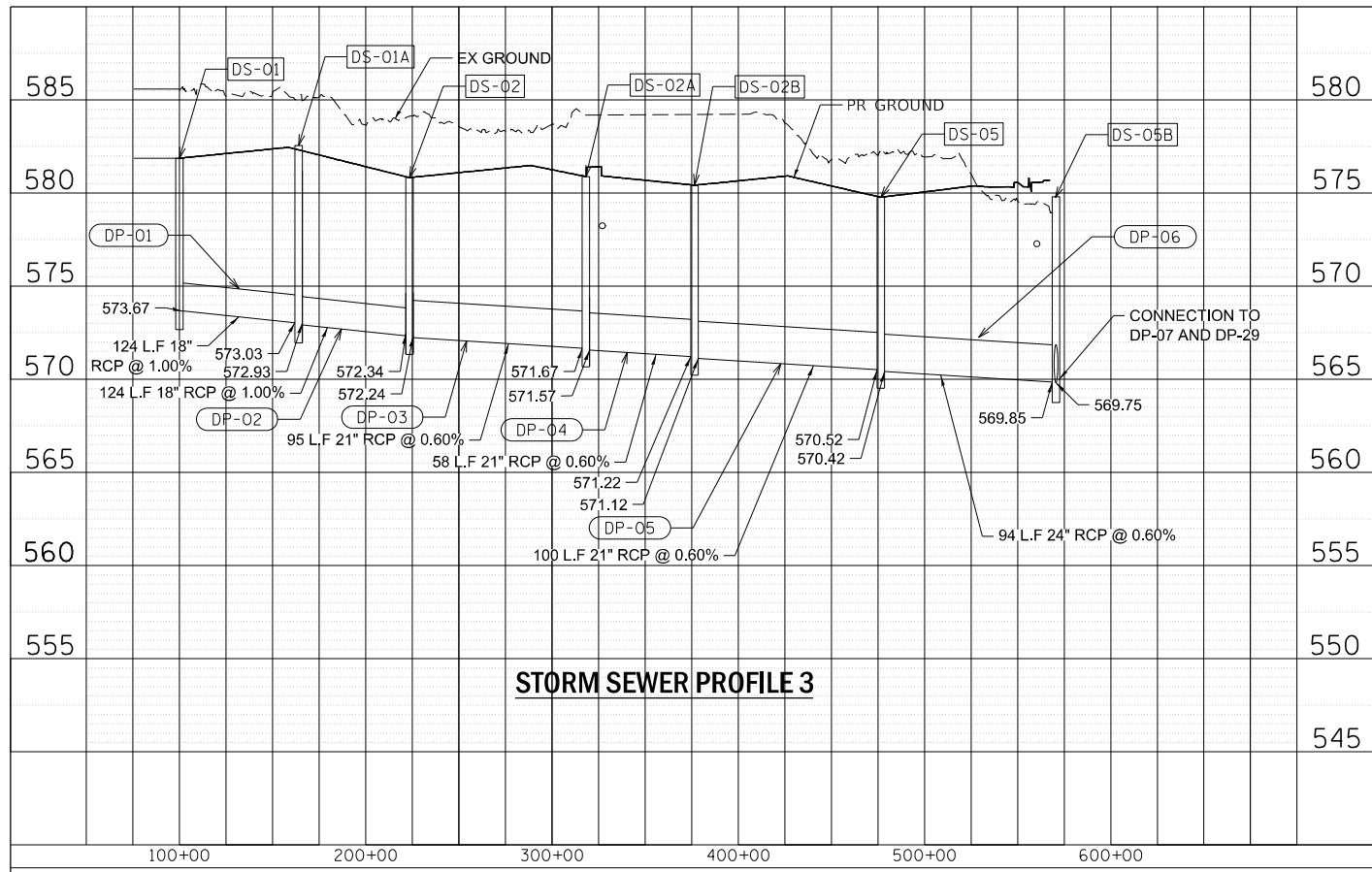


USER NAME = DBIakaj	DESIGNED - AW	REVISED -
PLOT SCALE = 600,0000' / ft.	DRAWN - DB	REVISED -
PLOT DATE = 3/1/2023	CHECKED - PH	REVISED -
	DATE - 10/06/2022	REVISED -

**STATE OF ILLINOIS
DEPARTMENT OF TRANSPORTATION**

DRAINAGE PROFILE	
SCALE:	SHEET 1 OF 3 SHEETS STA. TO STA.

F.A.P. RTE. 663	SECTION HANLEY PARKING 2022-1	COUNTY SANGAMON	TOTAL SHEETS 90	SHEET NO. 40
CONTRACT NO. 72403			ILLINOIS FED. AID PROJECT	



MODEL: D:\F:\a\...
 FILE NAME: P:\a\m\03120\W\0-06\Design\DWG\Civil\CR\CDP_Sheets\Drainage\sh22.dgn



USER NAME = DBIakaj	DESIGNED - AW	REVISED -
	DRAWN - DB	REVISED -
PLOT SCALE = 600,0000 ' / ft.	CHECKED - PH	REVISED -
PLOT DATE = 3/1/2023	DATE - 10/06/2022	REVISED -

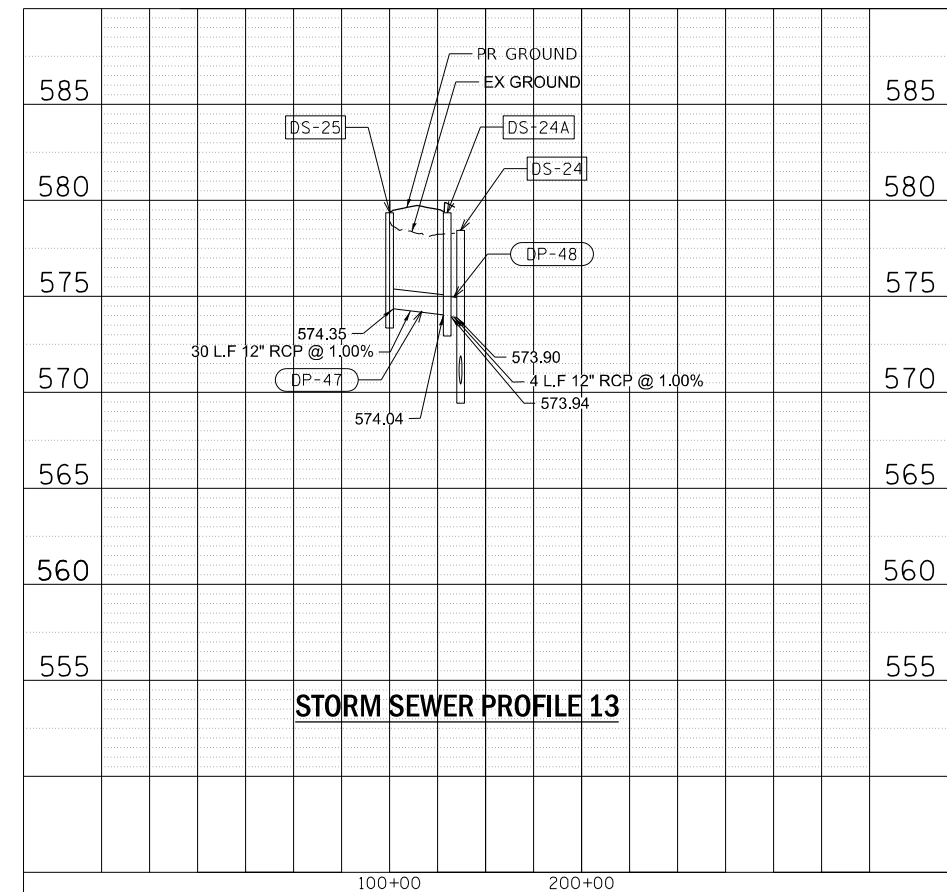
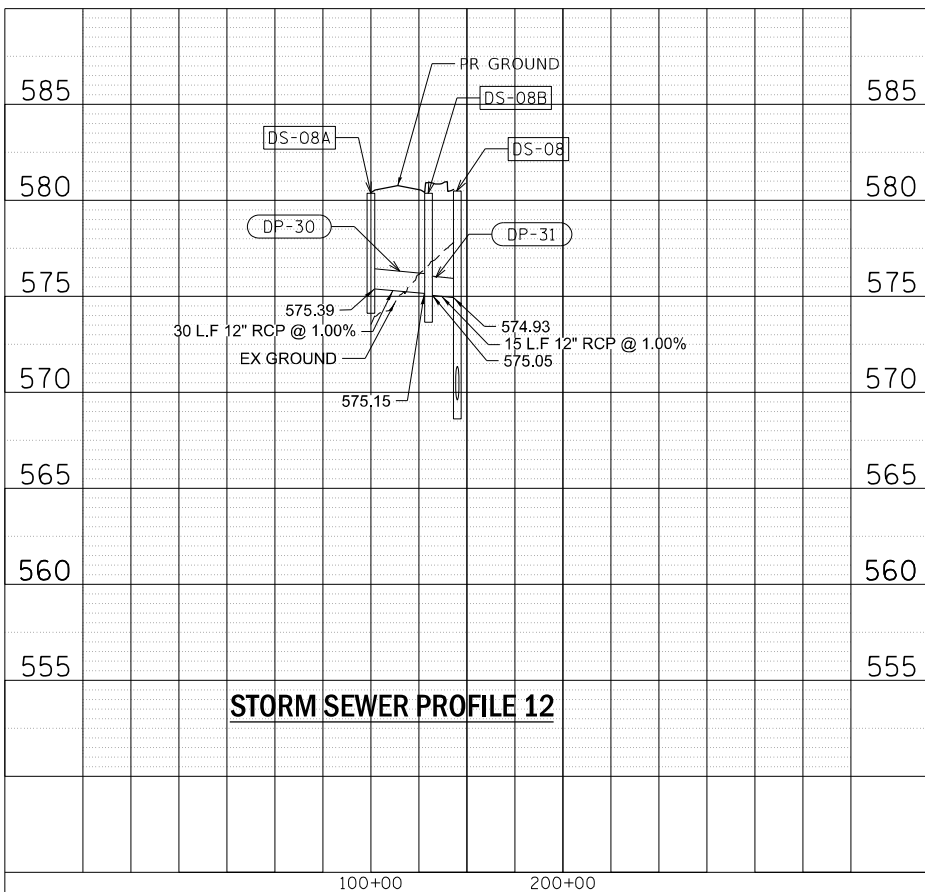
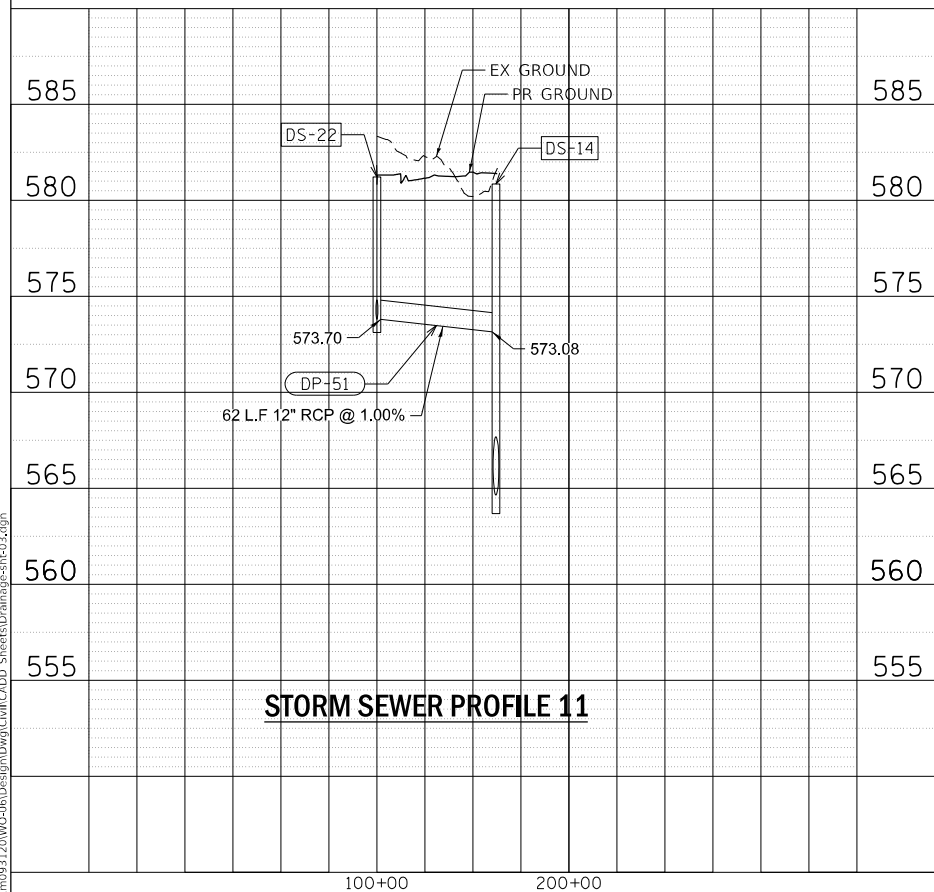
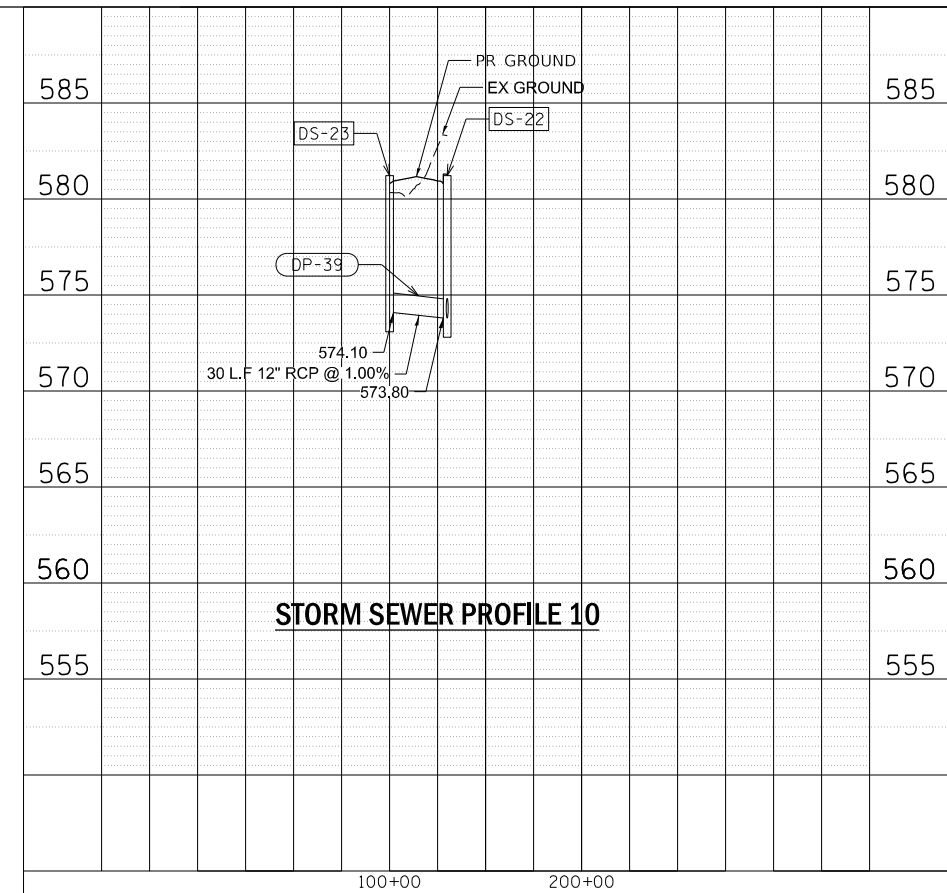
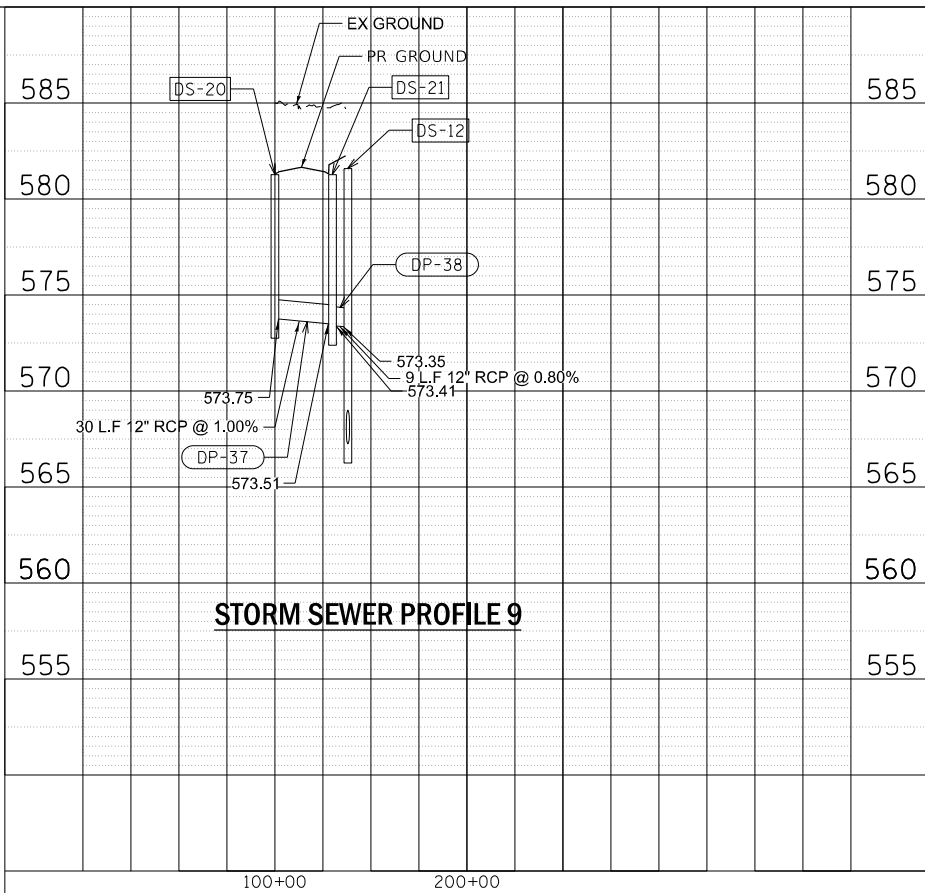
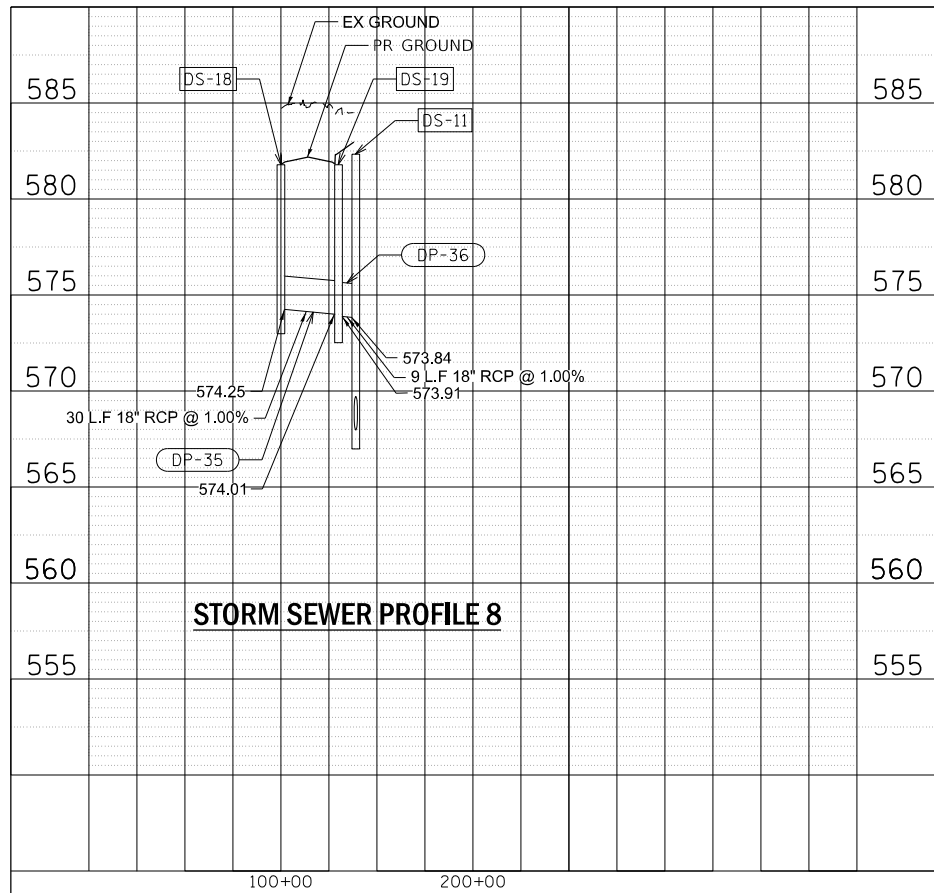
STATE OF ILLINOIS
DEPARTMENT OF TRANSPORTATION

DRAINAGE PROFILE

SCALE: SHEET 2 OF 3 SHEETS STA. TO STA.

F.A.P. RTE.	SECTION	COUNTY	TOTAL SHEETS	SHEET NO.
663	HANLEY PARKING 2022-1	SANGAMON	90	41
CONTRACT NO.			72403	

ILLINOIS FED. AID PROJECT



MODEL: D:\Auto\...
 FILE NAME: P:\Auto\...



USER NAME = DBIakaj	DESIGNED - AW	REVISED -
	DRAWN - DB	REVISED -
PLOT SCALE = 600,0000' / ft.	CHECKED - PH	REVISED -
PLOT DATE = 3/1/2023	DATE - 10/06/2022	REVISED -

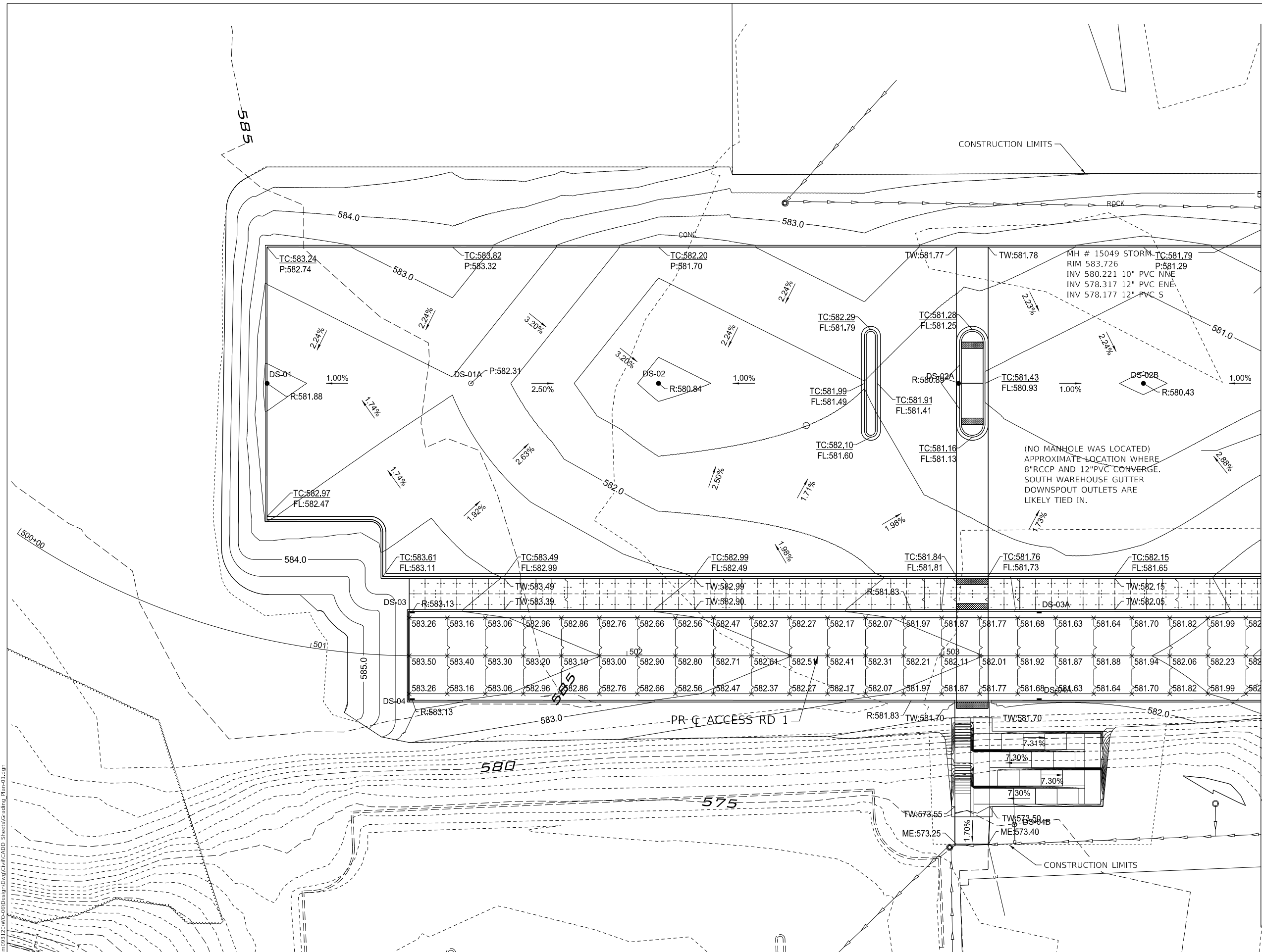
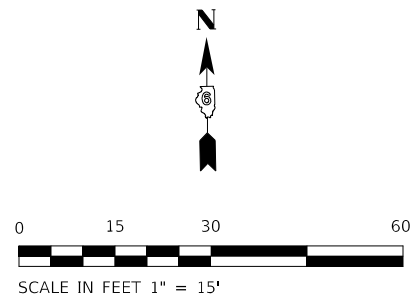
STATE OF ILLINOIS
DEPARTMENT OF TRANSPORTATION

DRAINAGE PROFILE

SCALE: SHEET 3 OF 3 SHEETS STA. TO STA.

F.A.P. RTE.	SECTION	COUNTY	TOTAL SHEETS	SHEET NO.
663	HANLEY PARKING 2022-1	SANGAMON	90	42
CONTRACT NO.			72403	

ILLINOIS FED. AID PROJECT



MATCHLINE STATION 504+00
SEE SHEET NO. 44

LEGEND

	585	PROPOSED CONTOUR MAJOR
	584	PROPOSED CONTOUR MINOR

MODEL: Default
FILE NAME: P:\Rm\093120\MO-CAD\Design\DWG\Civil\CADD_Sheets\Grading_Plan-01.dwg



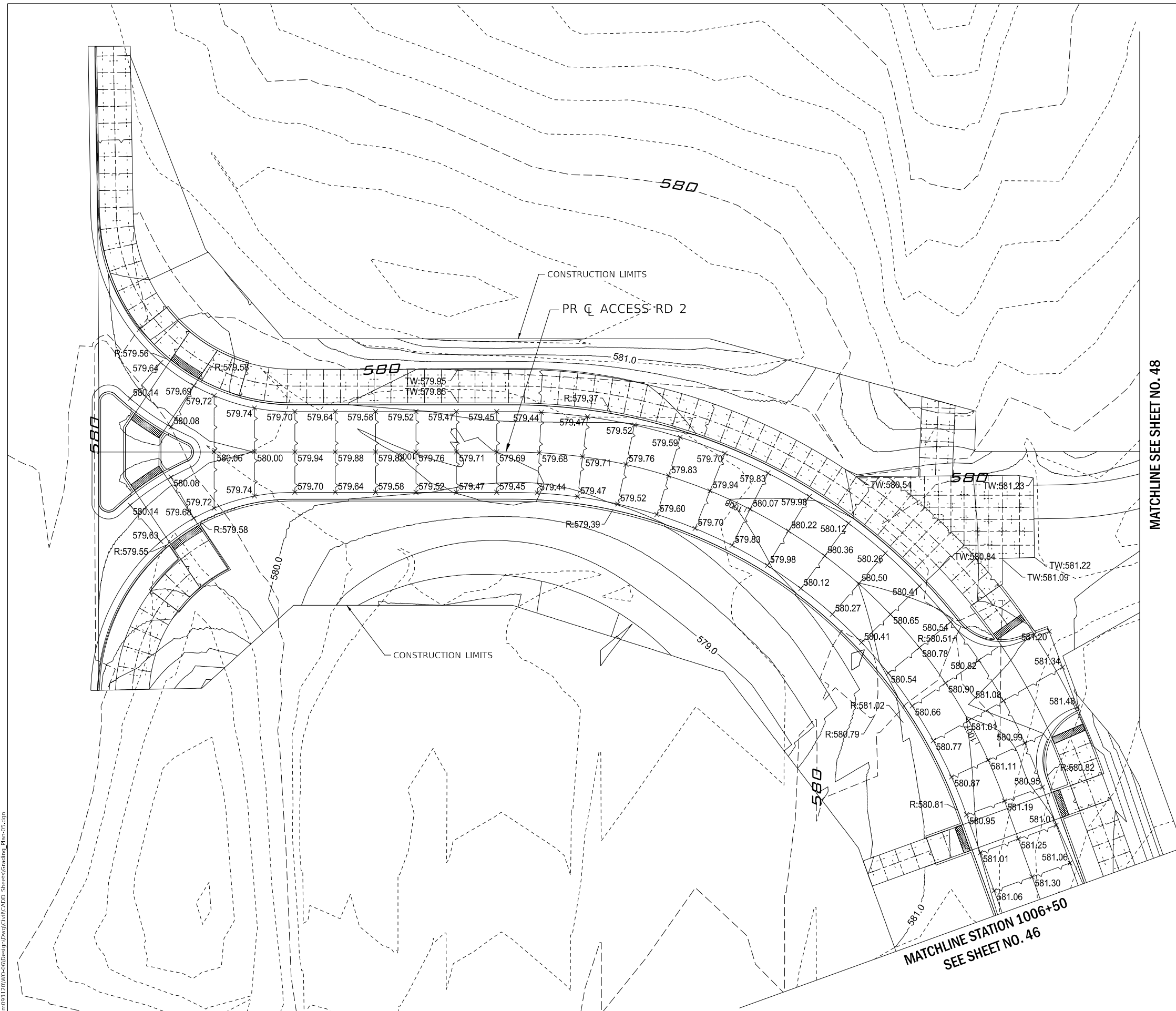
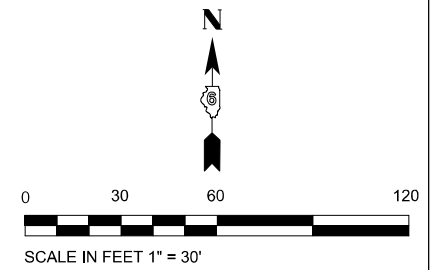
USER NAME = DBIakaj	DESIGNED - AW	REVISED -
PLOT SCALE = 180,0000' / ft.	DRAWN - DB	REVISED -
PLOT DATE = 3/1/2023	CHECKED - PH	REVISED -
	DATE - 01/26/2023	REVISED -

**STATE OF ILLINOIS
DEPARTMENT OF TRANSPORTATION**

**GRADING AND JOINTING PLAN
(AREA 01)**

SCALE: 1" = 30' SHEET OF SHEETS STA. TO STA.

F.A.P. RTE. 663	SECTION HANLEY PARKING 2023	COUNTY SANGAMON	TOTAL SHEETS 90	SHEET NO. 43
ILLINOIS FED. AID PROJECT			CONTRACT NO. 72403	



LEGEND

—585—	PROPOSED CONTOUR MAJOR
—584—	PROPOSED CONTOUR MINOR

MODEL: D:\draft
 FILE NAME: P:\Rm\093120\WC-06\Design\DWG\Civil\CADD_Sheets\Grading_Plan-05.dwg

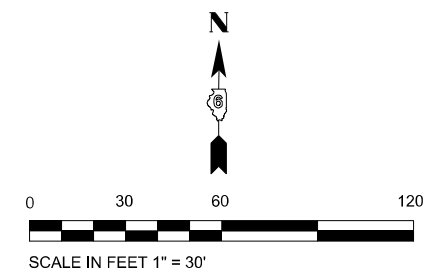


USER NAME = DBIakaj	DESIGNED - AW	REVISED -
PLOT SCALE = 180,0000' / ft.	DRAWN - DB	REVISED -
PLOT DATE = 3/1/2023	CHECKED - PH	REVISED -
	DATE - 01/26/2023	REVISED -

**STATE OF ILLINOIS
DEPARTMENT OF TRANSPORTATION**

GRADING AND JOINTING PLAN (AREA 05)			
SCALE: 1" = 30'	SHEET	OF	SHEETS
	STA.	TO	STA.

F.A.P. RTE.	SECTION	COUNTY	TOTAL SHEETS	SHEET NO.
663	HANLEY PARKING 2023	SANGAMON	90	47
			CONTRACT NO. 72403	
		ILLINOIS	FED. AID PROJECT	



MATCHLINE SEE SHEET NO. 47



LEGEND

—585—	PROPOSED CONTOUR MAJOR
—584—	PROPOSED CONTOUR MINOR

MODEL: D:\rme\1201\06-06\Design\Drawings\CADD_Sheets\Grading_Plan-06.dwg
FILE NAME: P:\rme\093120\06-06\Design\Drawings\CADD_Sheets\Grading_Plan-06.dwg



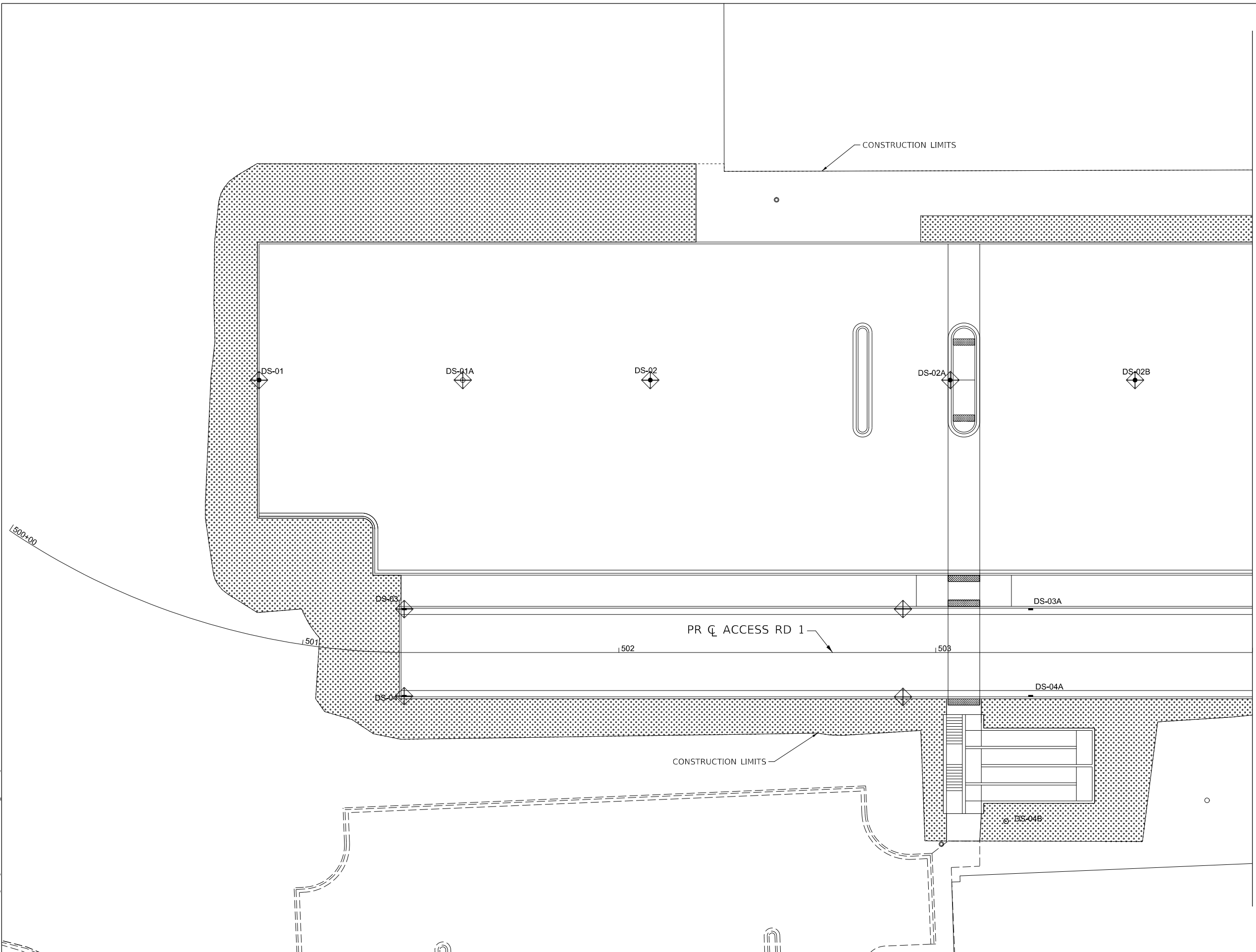
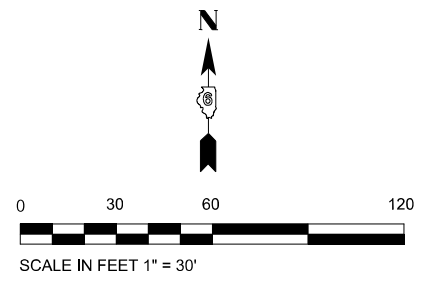
USER NAME = DBIakaj	DESIGNED - AW	REVISED -
PLOT SCALE = 180,0000 ' / ft.	DRAWN - DB	REVISED -
PLOT DATE = 3/1/2023	CHECKED - PH	REVISED -
	DATE - 01/26/2023	REVISED -

**STATE OF ILLINOIS
DEPARTMENT OF TRANSPORTATION**

**GRADING AND JOINTING PLAN
(AREA 06)**

SCALE: 1" = 30' SHEET OF SHEETS STA. TO STA.

F.A.P. RTE.	SECTION	COUNTY	TOTAL SHEETS	SHEET NO.
663	HANLEY PARKING 2023	SANGAMON	90	48
			CONTRACT NO. 72403	
ILLINOIS FED. AID PROJECT				



MATCHLINE STATION 504+00
SEE SHEET NO. 50

LEGEND

	PERIMETER EROSION BARRIER (28000400)
	INLET AND PIPE PROTECTION (28000500)
	SEEDING, CLASS 1 (25000100)

MODEL: Default
FILE NAME: P:\Rm\093120\WC-08\Design\DWG\Civil\CADD_Sheet\Erosion_Plan-01.dwg



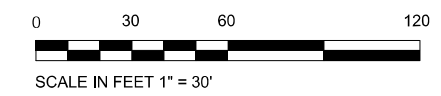
USER NAME = DBIakaj	DESIGNED - AW	REVISED -
PLOT SCALE = 180,0000 ' / ft.	DRAWN - DB	REVISED -
PLOT DATE = 3/1/2023	CHECKED - PH	REVISED -
	DATE - 01/26/2023	REVISED -

**STATE OF ILLINOIS
DEPARTMENT OF TRANSPORTATION**

**EROSION CONTROL PLAN
(AREA 01)**

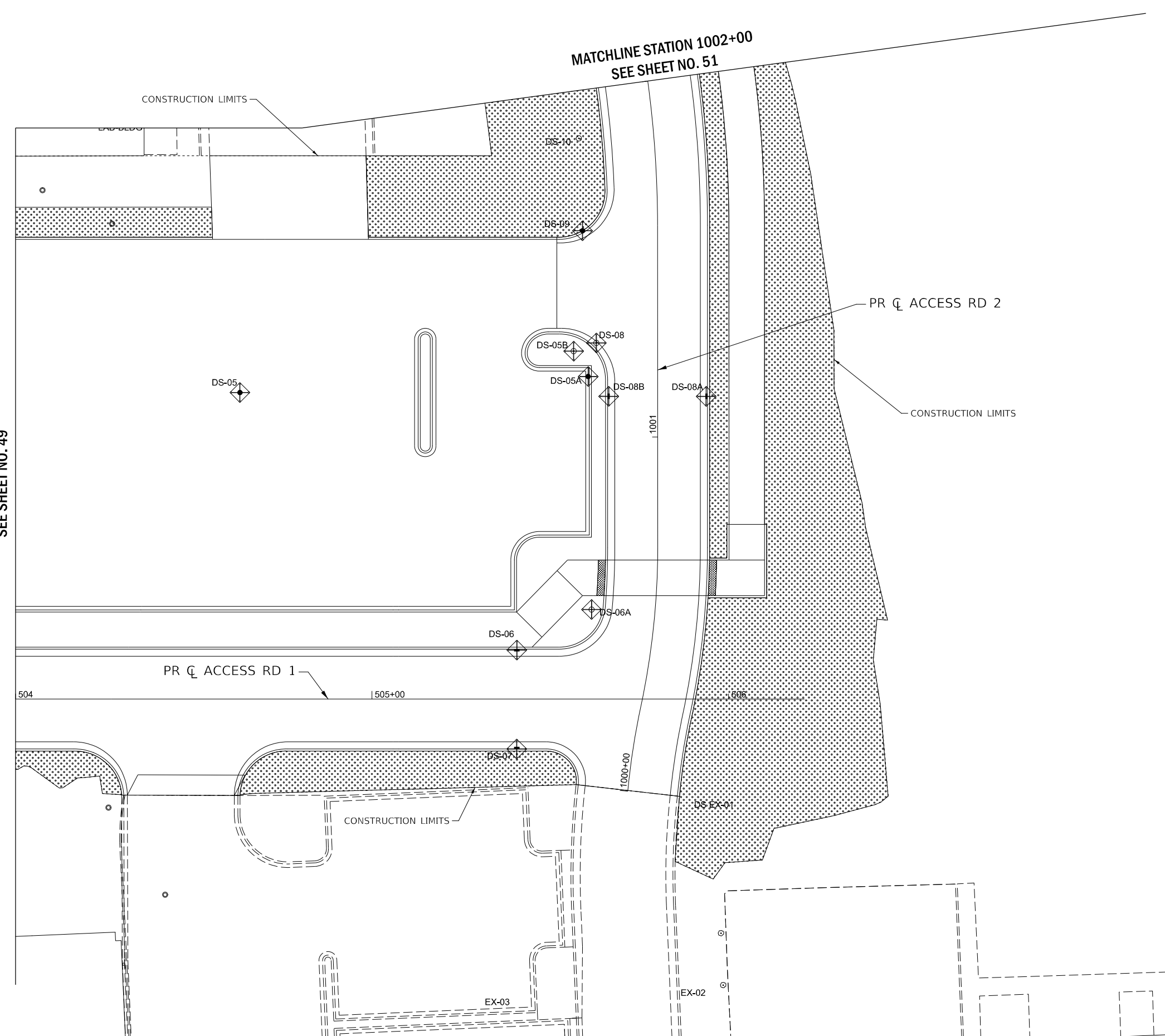
SCALE: 1" = 30' SHEET OF SHEETS STA. TO STA.

F.A.P. RTE.	SECTION	COUNTY	TOTAL SHEETS	SHEET NO.
663	HANLEY PARKING 2023	SANGAMON	90	49
CONTRACT NO.			72403	
ILLINOIS		FED. AID PROJECT		



MATCHLINE STATION 1002+00
SEE SHEET NO. 51

MATCHLINE STATION 504+00
SEE SHEET NO. 49



LEGEND

	PERIMETER EROSION BARRIER (28000400)
	INLET AND PIPE PROTECTION (28000500)
	SEEDING, CLASS 1 (25000100)

MODEL: D:\ef\h... FILE NAME: P:\Rm\093120\WC-08\Design\DWG\Civil\CADD_Sheet\Erosion_Plan-02.dwg



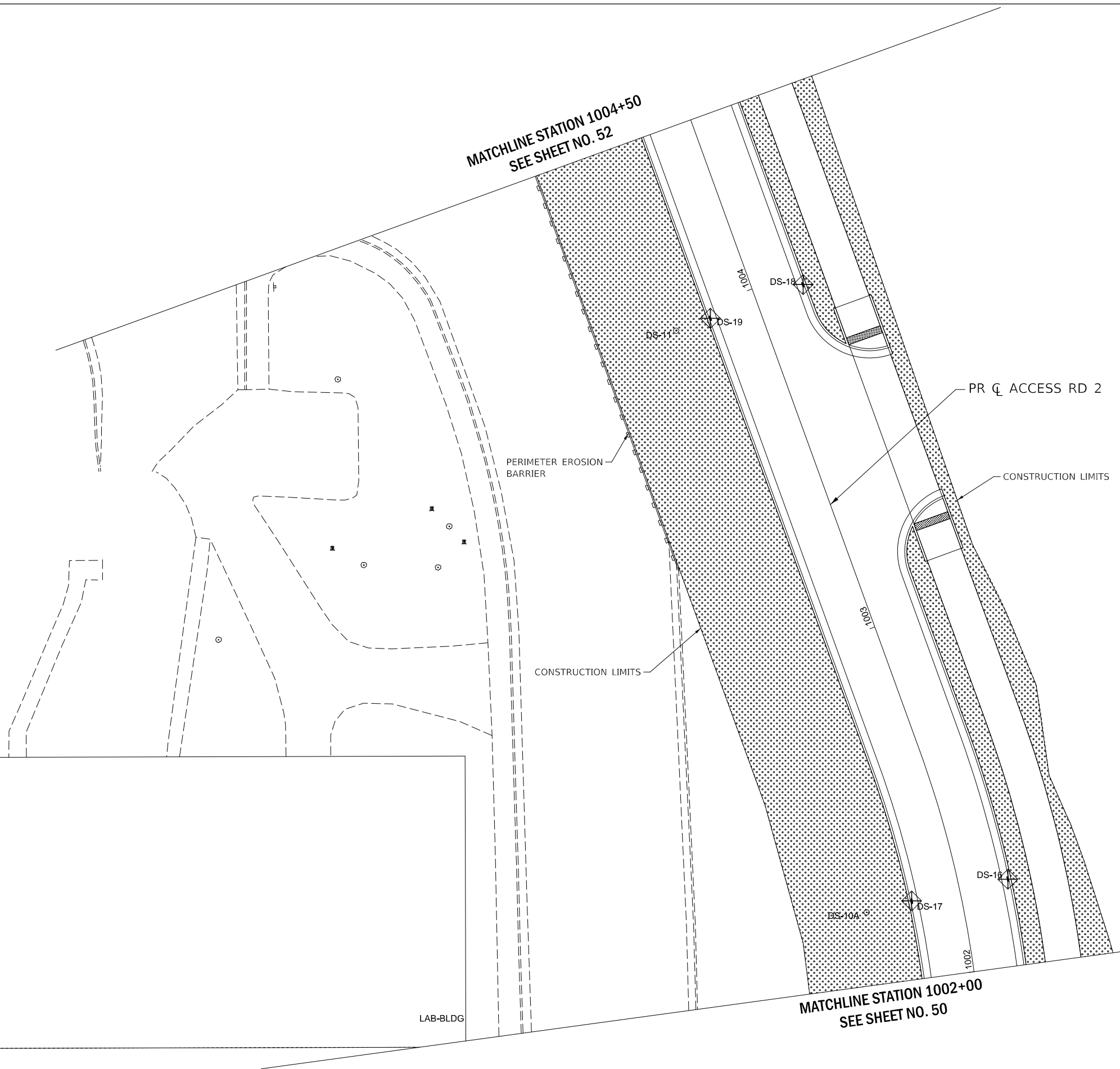
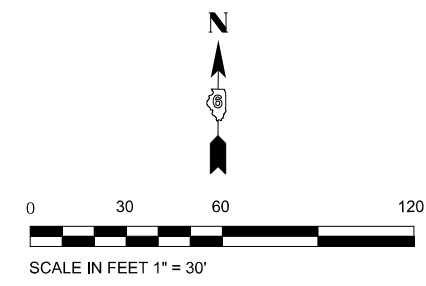
USER NAME = DBIakaj	DESIGNED - AW	REVISED -
PLOT SCALE = 1/80,0000' / ft.	DRAWN - DB	REVISED -
PLOT DATE = 3/1/2023	CHECKED - PH	REVISED -
	DATE - 01/26/2023	REVISED -

**STATE OF ILLINOIS
DEPARTMENT OF TRANSPORTATION**

**EROSION CONTROL PLAN
(AREA 02)**

SCALE: 1" = 30' SHEET OF SHEETS STA. TO STA.

F.A.P. RTE.	SECTION	COUNTY	TOTAL SHEETS	SHEET NO.
663	HANLEY PARKING 2023	SANGAMON	90	50
			CONTRACT NO. 72403	
		ILLINOIS	FED. AID PROJECT	



LEGEND

	PERIMETER EROSION BARRIER (28000400)
	INLET AND PIPE PROTECTION (28000500)
	SEEDING, CLASS 1 (25000100)

MODEL: D:\erof\1120\100-03\Design\DWG\Civil\CADD_Sheet\EROSION_Plan-03.dwg
 FILE NAME: P:\Rm\093120\100-03\Design\DWG\Civil\CADD_Sheet\EROSION_Plan-03.dwg



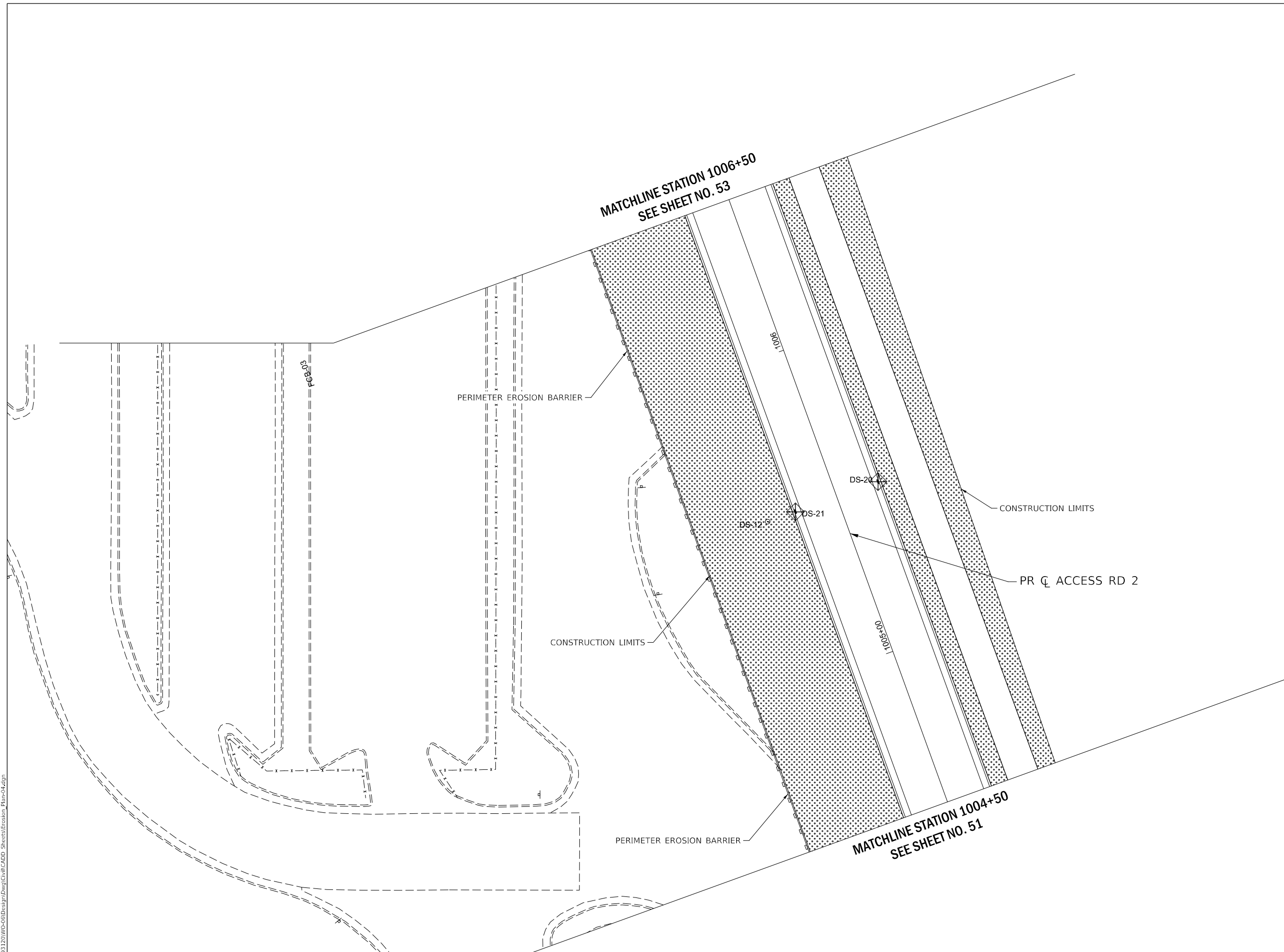
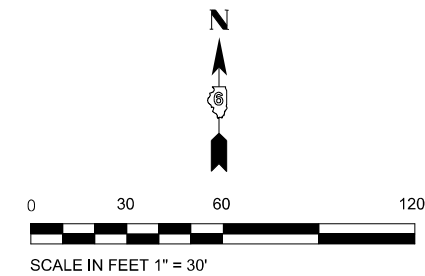
USER NAME = DBIakaj	DESIGNED - AW	REVISED -
PLOT SCALE = 180,0000 ' / ft.	DRAWN - DB	REVISED -
PLOT DATE = 3/1/2023	CHECKED - PH	REVISED -
	DATE - 01/26/2023	REVISED -

**STATE OF ILLINOIS
DEPARTMENT OF TRANSPORTATION**

**EROSION CONTROL PLAN
(AREA 03)**

SCALE: 1" = 30' SHEET OF SHEETS STA. TO STA.

F.A.P. RTE.	SECTION	COUNTY	TOTAL SHEETS	SHEET NO.
663	HANLEY PARKING 2023	SANGAMON	90	51
			CONTRACT NO. 72403	
		ILLINOIS	FED. AID PROJECT	



LEGEND

	PERIMETER EROSION BARRIER (28000400)
	INLET AND PIPE PROTECTION (28000500)
	SEEDING, CLASS 1 (25000100)

MODEL: D:\erof\1
 FILE NAME: P:\Rm\093120\WC-06\Design\DWG\Curr\CADD_Sheet\Erosion_Plan-04.dwg



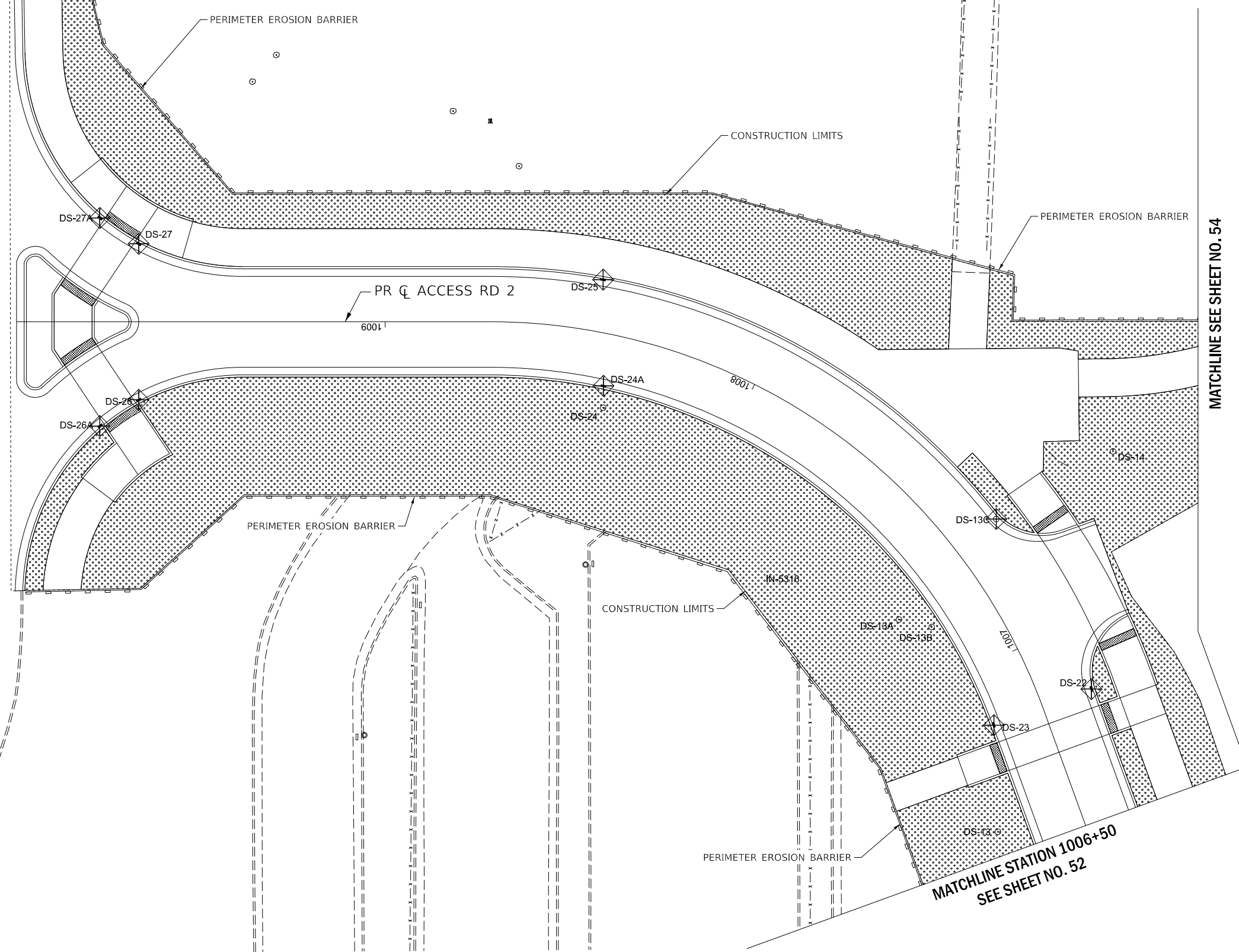
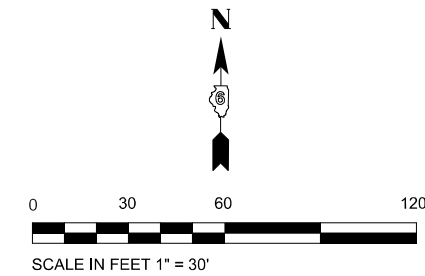
USER NAME = DBIakaj	DESIGNED - AW	REVISED -
	DRAWN - DB	REVISED -
PLOT SCALE = 180,0000 ' / ft.	CHECKED - PH	REVISED -
PLOT DATE = 3/1/2023	DATE - 01/26/2023	REVISED -

**STATE OF ILLINOIS
DEPARTMENT OF TRANSPORTATION**

**EROSION CONTROL PLAN
(AREA 04)**

SCALE: 1" = 30' SHEET OF SHEETS STA. TO STA.

F.A.P. RTE.	SECTION	COUNTY	TOTAL SHEETS	SHEET NO.
663	HANLEY PARKING 2023	SANGAMON	90	52
CONTRACT NO.			72403	
ILLINOIS		FED. AID PROJECT		



LEGEND

	PERIMETER EROSION BARRIER (28000400)
	INLET AND PIPE PROTECTION (28000500)
	SEEDING, CLASS 1 (25000100)

MODEL: Default
 FILE NAME: P:\R\093120\WC-08\Design\DWG\Civil\CADD_SheetErosion_Plan-05.dwg



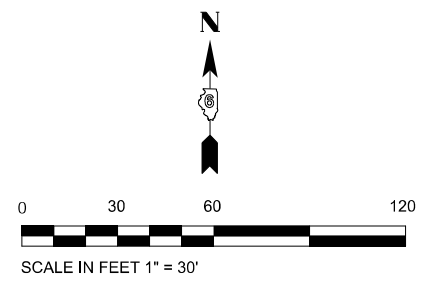
USER NAME = DBIakaj	DESIGNED - AW	REVISED -
PLOT SCALE = 180,0000 ' / ft.	DRAWN - DB	REVISED -
PLOT DATE = 3/1/2023	CHECKED - PH	REVISED -
	DATE - 01/26/2023	REVISED -

STATE OF ILLINOIS
DEPARTMENT OF TRANSPORTATION

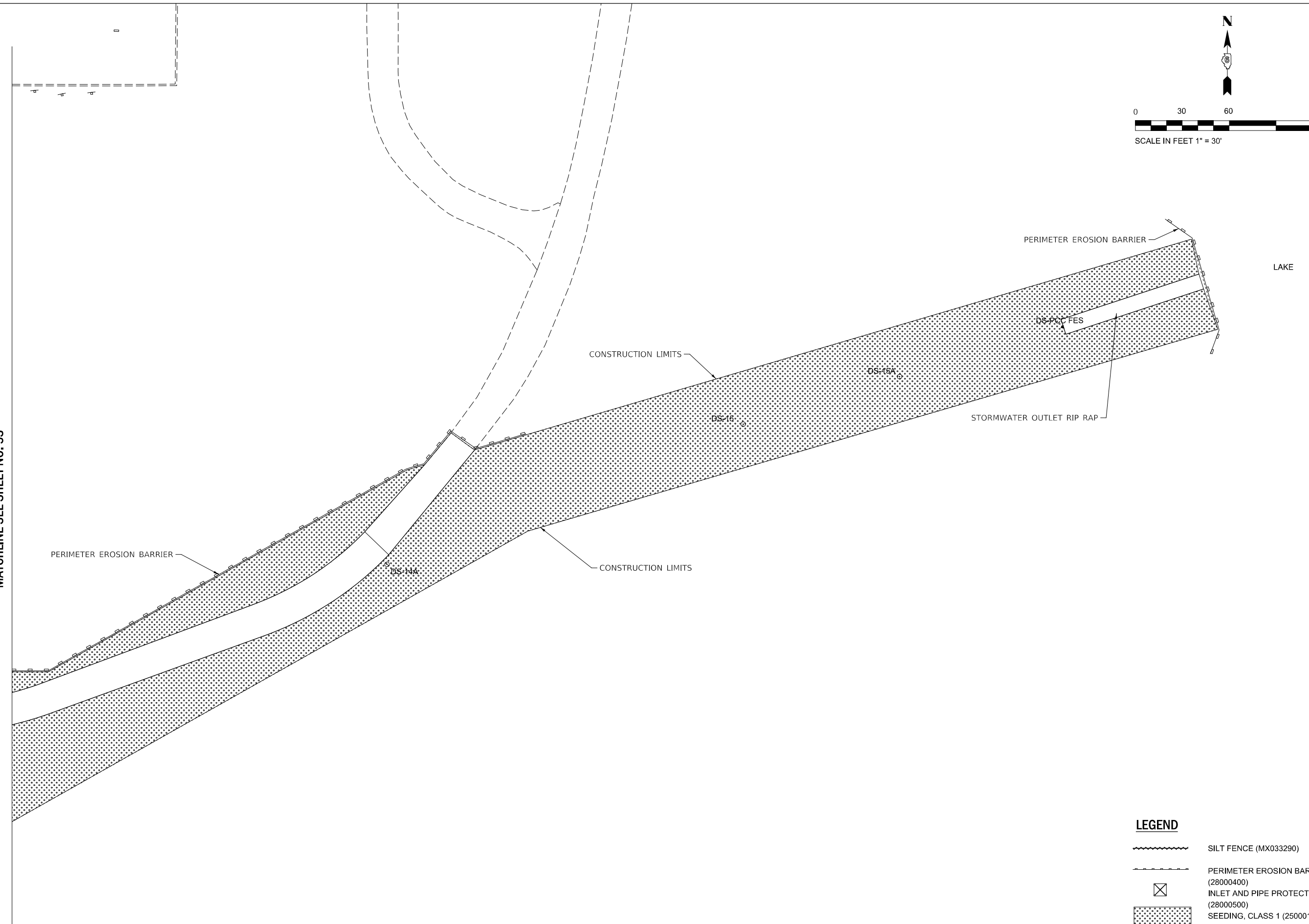
EROSION CONTROL PLAN
(AREA 05)

SCALE: 1" = 30' SHEET OF SHEETS STA. TO STA.


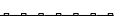


F.A.P. RTE.	SECTION	COUNTY	TOTAL SHEETS	SHEET NO.
663	HANLEY PARKING 2023	SANGAMON	90	53
			CONTRACT NO. 72403	
		ILLINOIS	FED. AID PROJECT	



MATCHLINE SEE SHEET NO. 53



LEGEND

	SILT FENCE (MX033290)
	PERIMETER EROSION BARRIER (28000400)
	INLET AND PIPE PROTECTION (28000500)
	SEEDING, CLASS 1 (25000100)

MODEL: D:\a\h\...
FILE NAME: P:\Rm\093120\WC-06\Design\DWG\Civil\CADD_Sheet\Erosion_Plan-06.dwg



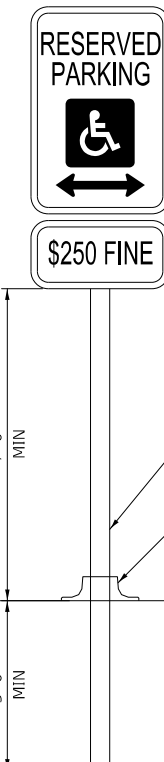
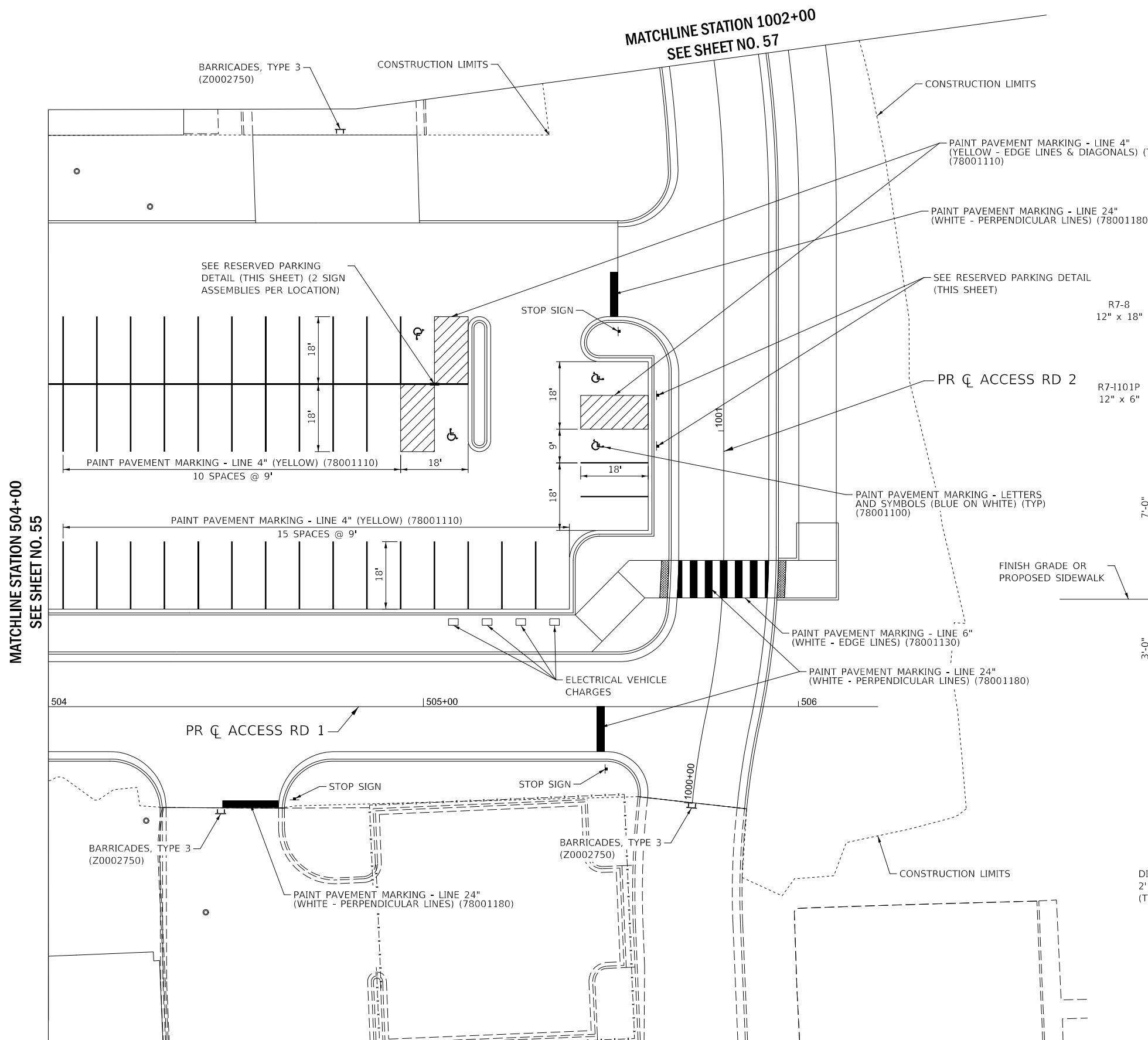
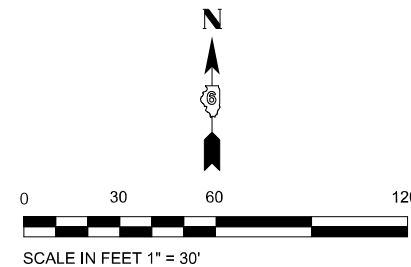
USER NAME = DBIakaJ	DESIGNED - AW	REVISED -
	DRAWN - DB	REVISED -
PLOT SCALE = 180,0000 ' / ft.	CHECKED - PH	REVISED -
PLOT DATE = 3/1/2023	DATE - 01/26/2023	REVISED -

**STATE OF ILLINOIS
DEPARTMENT OF TRANSPORTATION**

**EROSION CONTROL PLAN
(AREA 06)**

SCALE: 1" = 30' SHEET OF SHEETS STA. TO STA.

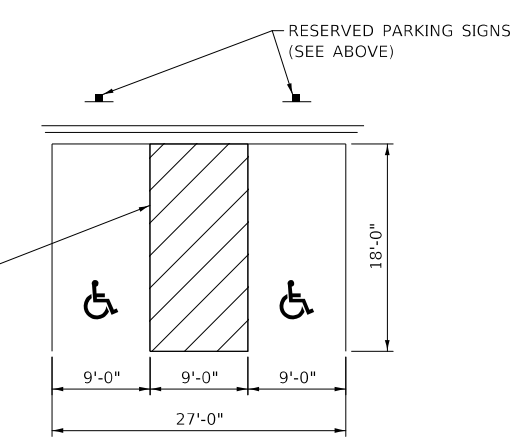
F.A.P. RTE.	SECTION	COUNTY	TOTAL SHEETS	SHEET NO.
663	HANLEY PARKING 2023	SANGAMON	90	54
ILLINOIS FED. AID PROJECT			CONTRACT NO. 72403	



QUANTITIES:
 12 FOOT OF TELESCOPING STEEL SIGN SUPPORT
 2 SQ FT OF SIGN PANEL, TYPE 1 (EACH LOCATION)

NOTES:
 THE SIGN PANEL AND SIGN SUPPORT SHALL BE PLACED AT EACH DISABLED PARKING STALL. THIS WORK WILL BE PAID FOR AT THE CONTRACT UNIT PRICE PER SQUARE FOOT FOR SIGN PANEL, TYPE 1 AND PER FOOT FOR TELESCOPING STEEL SIGN SUPPORT. MOUNT PLATE R7-1101P DIRECTLY BELOW SIGN R7-8. PARKING STALL LINES AND DIAGONALS SHALL BE 4" WIDE.

NOTES:
 4" CORE HOLES THROUGH HMA PAVEMENT ARE SUGGESTED TO INSTALL TELESCOPING STEEL SIGN SUPPORTS



RESERVED PARKING DETAIL

MODEL: D:\draft
 FILE NAME: P:\Rm\093120\W0-CB\Design\Drawn\Cliff\CADD_Sheets\PMK_02.dgn



USER NAME = DBIakaj	DESIGNED - AW	REVISED -
	DRAWN - DB	REVISED -
PLOT SCALE = 180,0000 ' / ft.	CHECKED - PH	REVISED -
PLOT DATE = 3/1/2023	DATE - 01/26/2023	REVISED -

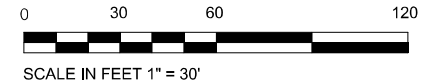
**STATE OF ILLINOIS
 DEPARTMENT OF TRANSPORTATION**

**PAVEMENT MARKING AND SIGNING
 (AREA 02)**

SCALE: 1" = 30' SHEET OF SHEETS STA. TO STA.

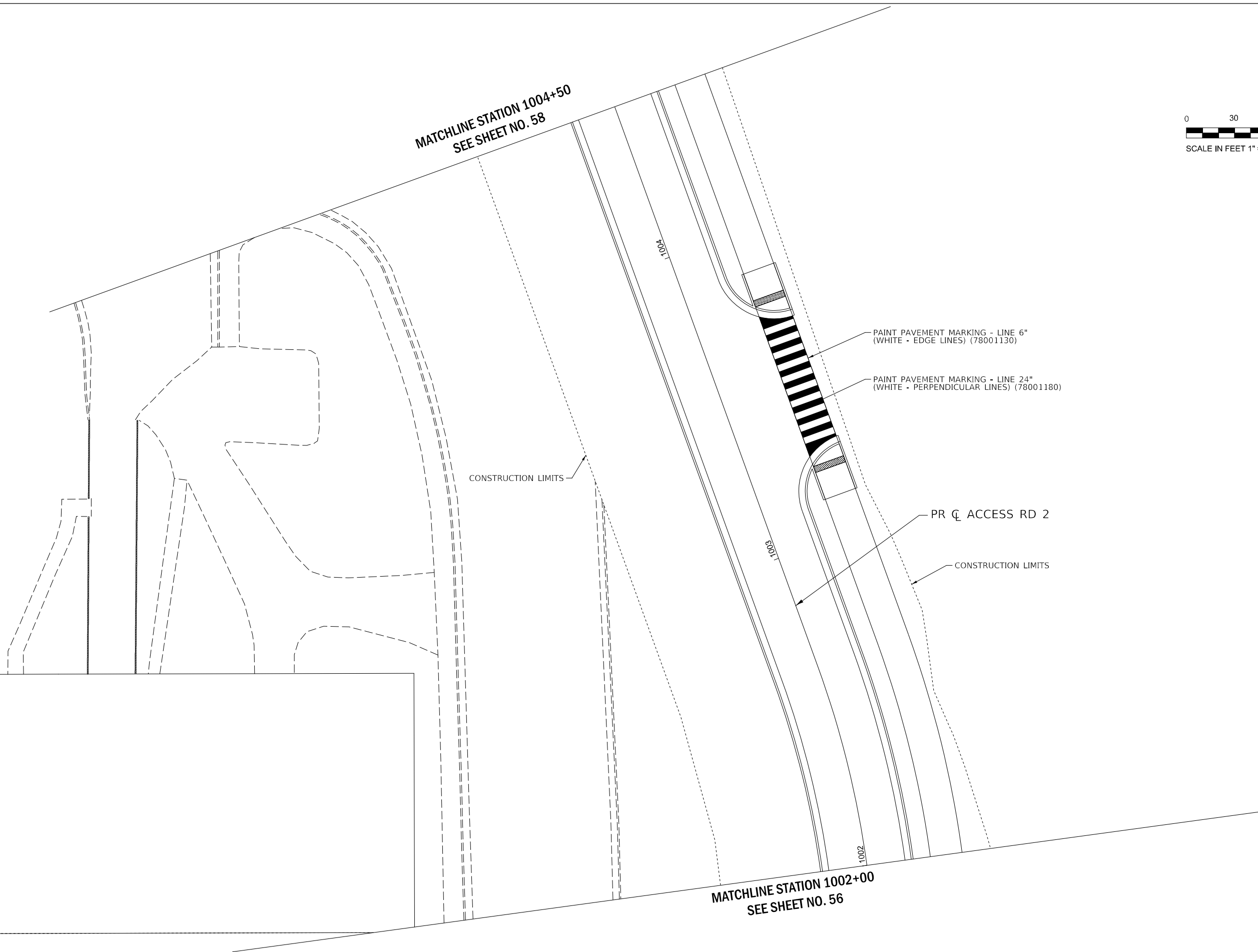
F.A.P. RTE.	SECTION	COUNTY	TOTAL SHEETS	SHEET NO.
663	HANLEY PARKING 2023	SANGAMON	90	56
			CONTRACT NO. 72403	

ILLINOIS FED. AID PROJECT



MATCHLINE STATION 1004+50
SEE SHEET NO. 58

MATCHLINE STATION 1002+00
SEE SHEET NO. 56



PAINT PAVEMENT MARKING - LINE 6"
(WHITE - EDGE LINES) (78001130)

PAINT PAVEMENT MARKING - LINE 24"
(WHITE - PERPENDICULAR LINES) (78001180)

CONSTRUCTION LIMITS

PR Q ACCESS RD 2

CONSTRUCTION LIMITS

MODEL: D:\default... FILE NAME: P:\Rm093120\WP-06\Design\Draw\Civil\CADD_Sheets\PMK_03.dgn



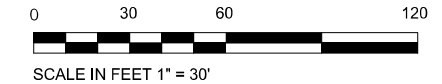
USER NAME = DBIakaj	DESIGNED - AW	REVISED -
	DRAWN - DB	REVISED -
PLOT SCALE = 180,0000 ' / ft.	CHECKED - PH	REVISED -
PLOT DATE = 3/1/2023	DATE - 01/26/2023	REVISED -

**STATE OF ILLINOIS
DEPARTMENT OF TRANSPORTATION**

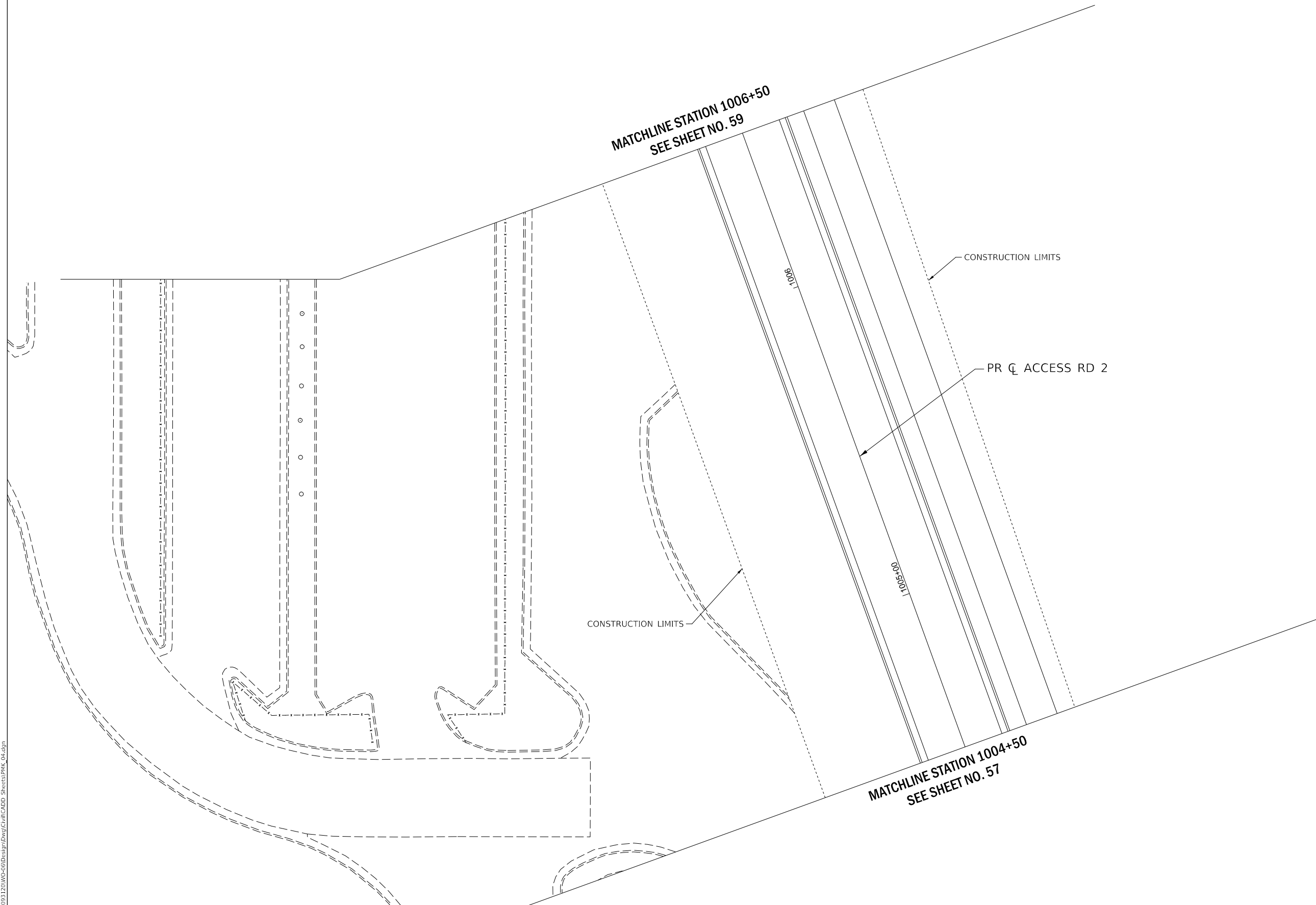
**PAVEMENT MARKING AND SIGNING
(AREA 03)**

SCALE: 1" = 30' SHEET OF SHEETS STA. TO STA.

F.A.P. RTE.	SECTION	COUNTY	TOTAL SHEETS	SHEET NO.
663	HANLEY PARKING 2023	SANGAMON	90	57
			CONTRACT NO. 72403	
		ILLINOIS	FED. AID PROJECT	



MATCHLINE STATION 1006+50
SEE SHEET NO. 59



CONSTRUCTION LIMITS

PR Q ACCESS RD 2

CONSTRUCTION LIMITS

MATCHLINE STATION 1004+50
SEE SHEET NO. 57

MODEL: D:\rme\1201\00-00\Design\Drawn\Civil\CADD_Sheets\PMK_04.dgn
FILE NAME: P:\Rm\093120\00-00\Design\Drawn\Civil\CADD_Sheets\PMK_04.dgn



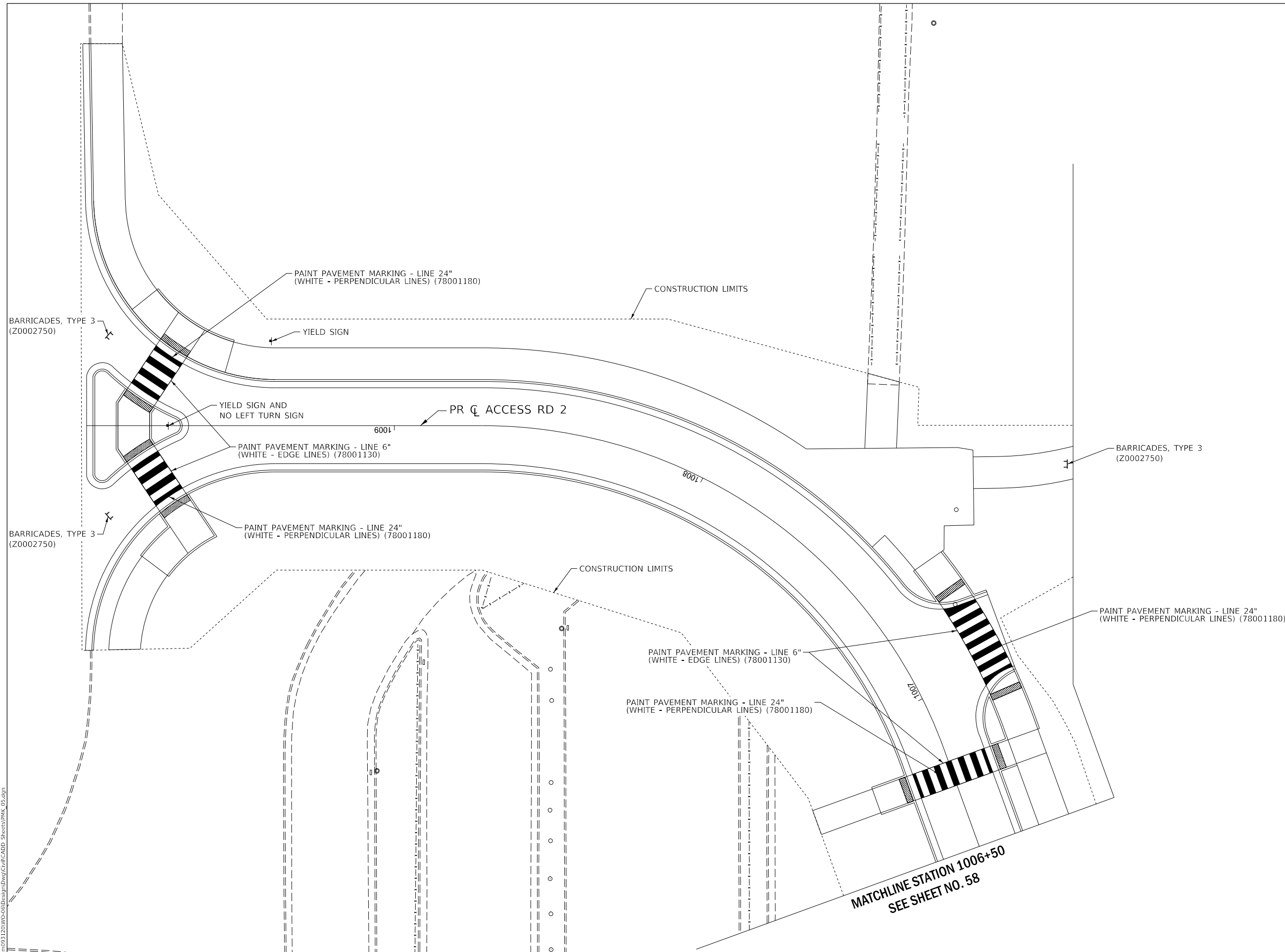
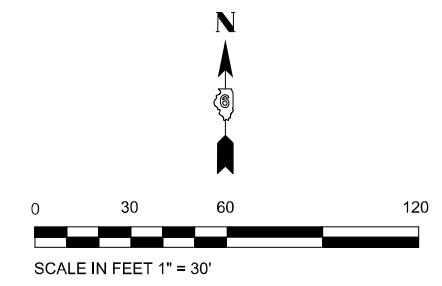
USER NAME = DBIakaj	DESIGNED - AW	REVISED -
	DRAWN - DB	REVISED -
PLOT SCALE = 180,0000 ' / ft.	CHECKED - PH	REVISED -
PLOT DATE = 3/1/2023	DATE - 01/26/2023	REVISED -

**STATE OF ILLINOIS
DEPARTMENT OF TRANSPORTATION**

**PAVEMENT MARKING AND SIGNING
(AREA 04)**

SCALE: 1" = 30' SHEET OF SHEETS STA. TO STA.

F.A.P. RTE.	SECTION	COUNTY	TOTAL SHEETS	SHEET NO.
663	HANLEY PARKING 2023	SANGAMON	90	58
CONTRACT NO.			72403	
ILLINOIS		FED. AID PROJECT		



MATCHLINE STATION 1006+50
SEE SHEET NO. 58

MODEL: Default
FILE NAME: P:\R09093120\WC-05\Design\Drawn\Cliff\CADD_Sheets\PMK_05.dgn

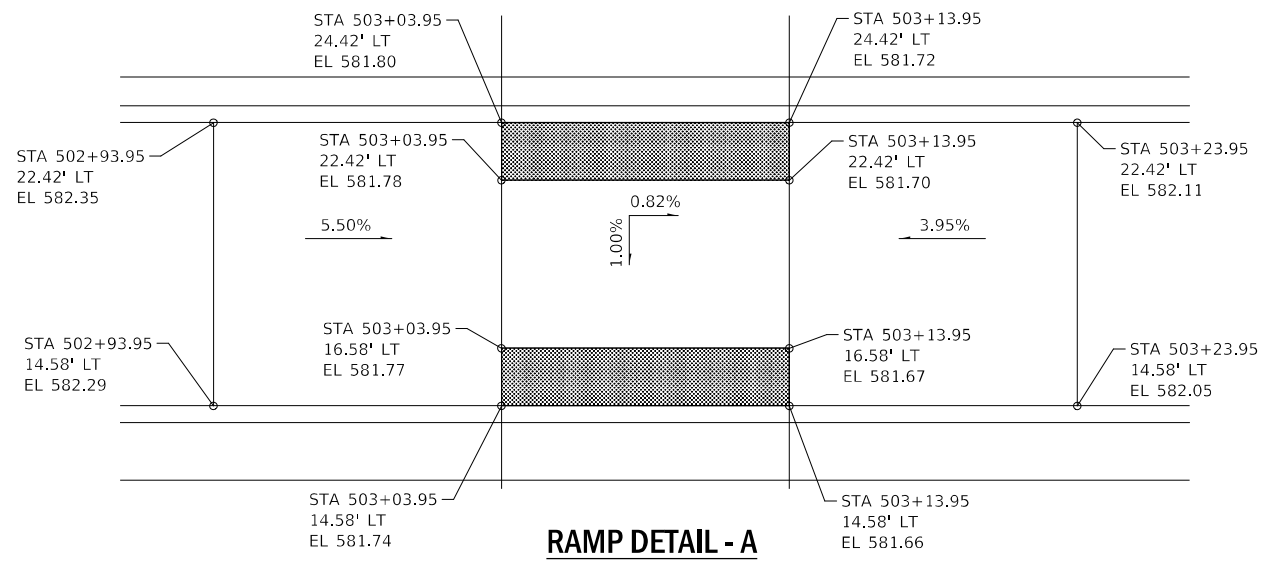


USER NAME = DBIakaj	DESIGNED - AW	REVISED -
PLOT SCALE = 180,0000 ' / ft.	DRAWN - DB	REVISED -
PLOT DATE = 3/1/2023	CHECKED - PH	REVISED -
	DATE - 01/26/2023	REVISED -

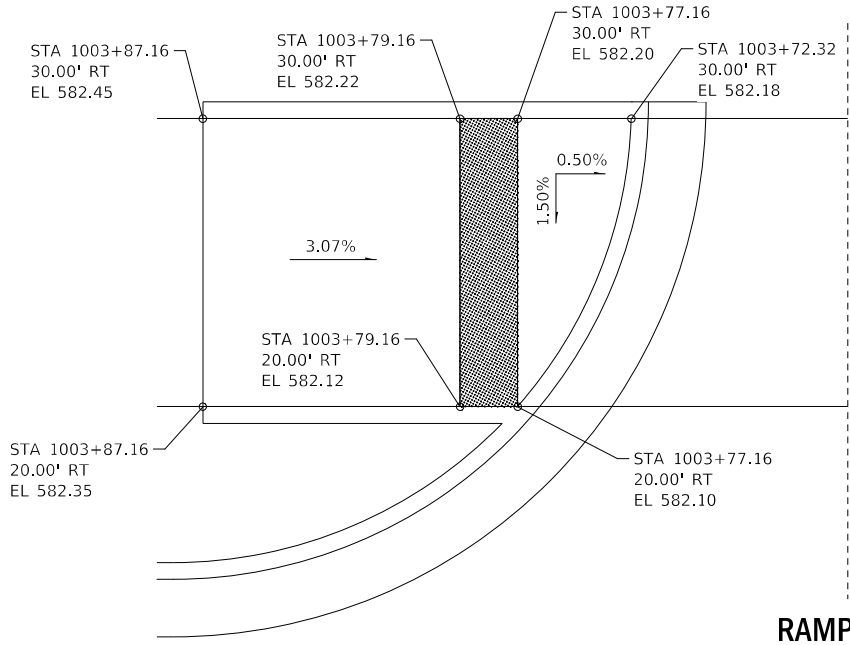
**STATE OF ILLINOIS
DEPARTMENT OF TRANSPORTATION**

PAVEMENT MARKING AND SIGNING (AREA 05)			
SCALE: 1" = 30'	SHEET	OF	SHEETS
	STA.		TO STA.

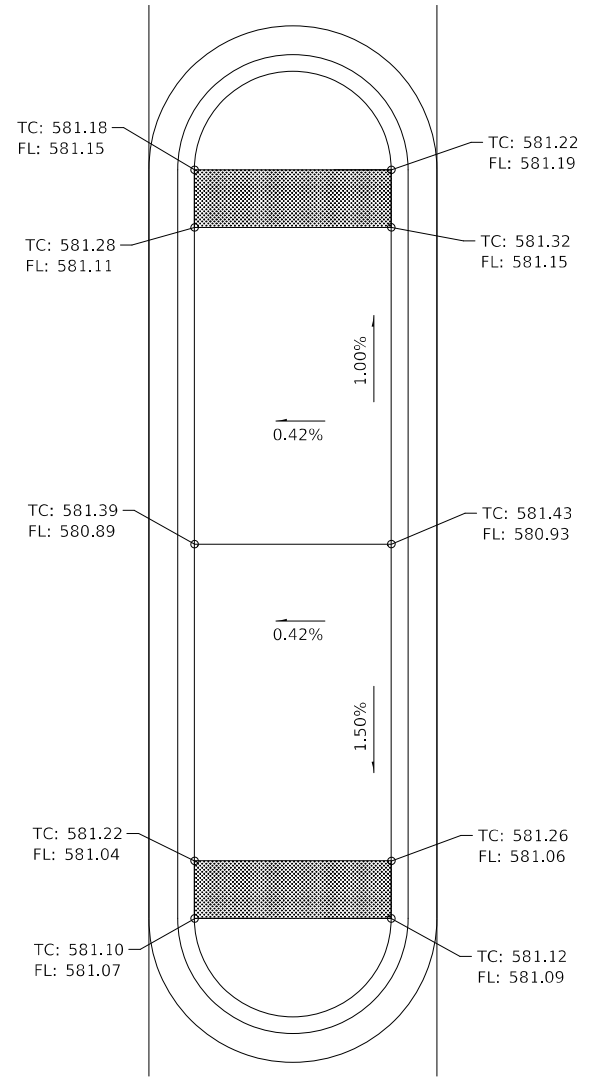
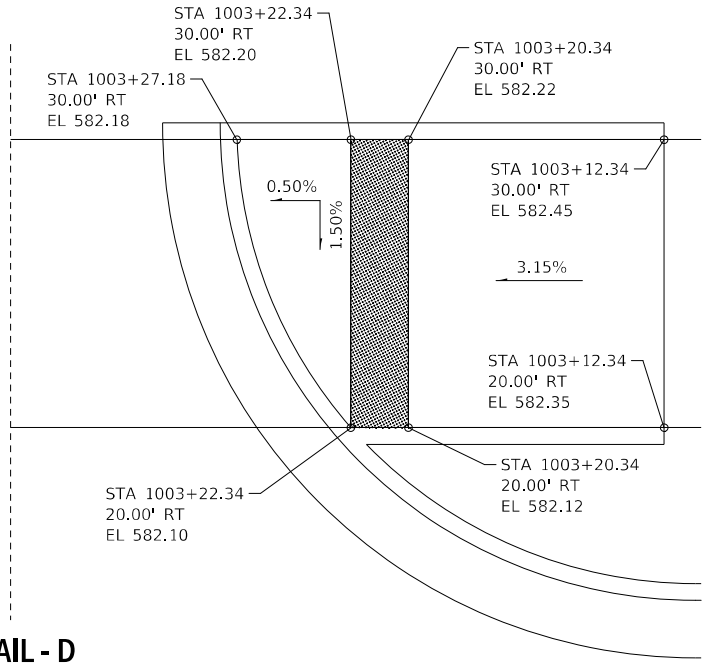
F.A.P. RTE.	SECTION	COUNTY	TOTAL SHEETS	SHEET NO.
663	HANLEY PARKING 2023	SANGAMON	90	59
			CONTRACT NO. 72403	
		ILLINOIS	FED. AID PROJECT	



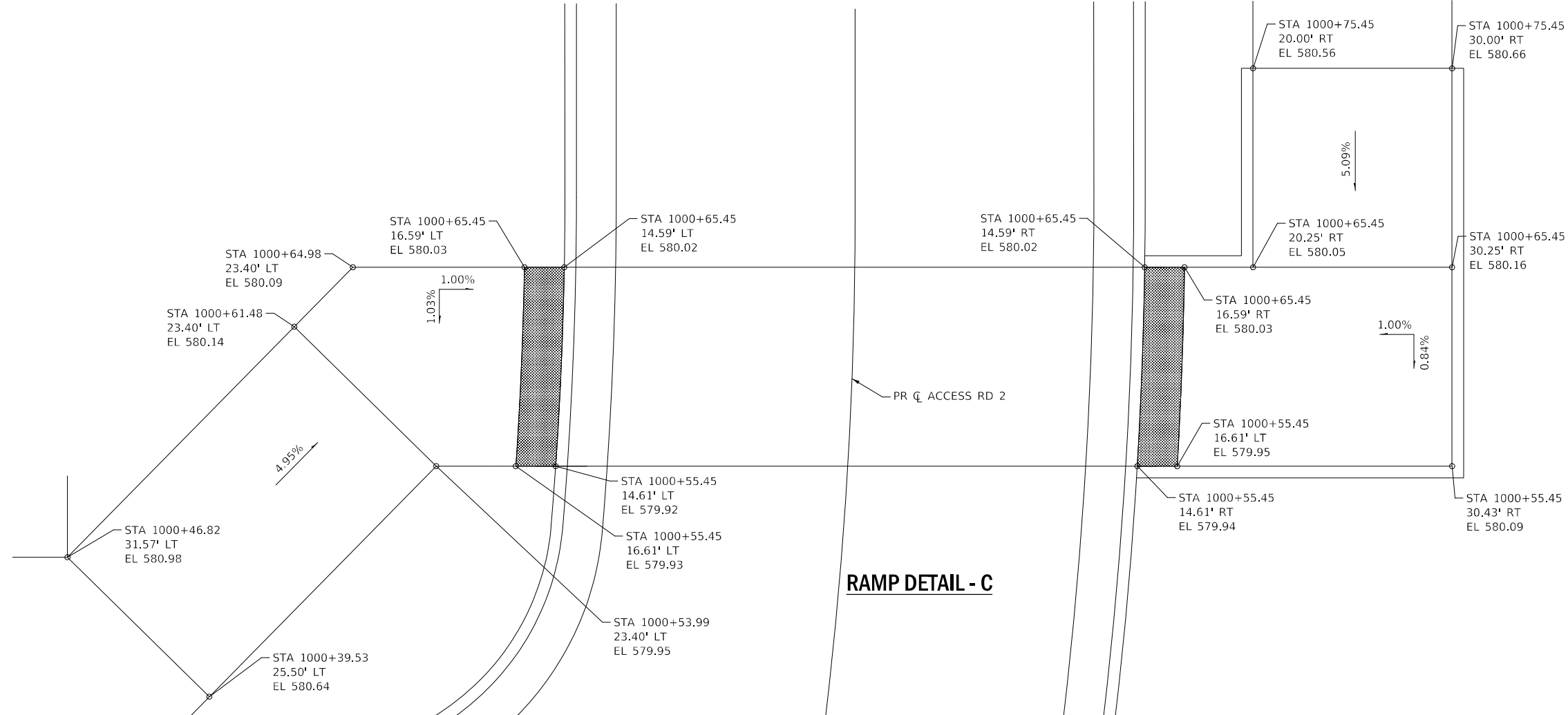
RAMP DETAIL - A



RAMP DETAIL - D



RAMP DETAIL - B



RAMP DETAIL - C

MODEL: Default
FILE NAME: P:\Rm\093120\WC-06\Design\DWG\Civil\CADD_Sheets\Sidewalk_Details.dgn



USER NAME = DBIakaj	DESIGNED - AW	REVISED -
PLOT SCALE = 1/20,000' / ft.	DRAWN - DB	REVISED -
PLOT DATE = 3/1/2023	CHECKED - PH	REVISED -
	DATE - 01/26/2023	REVISED -

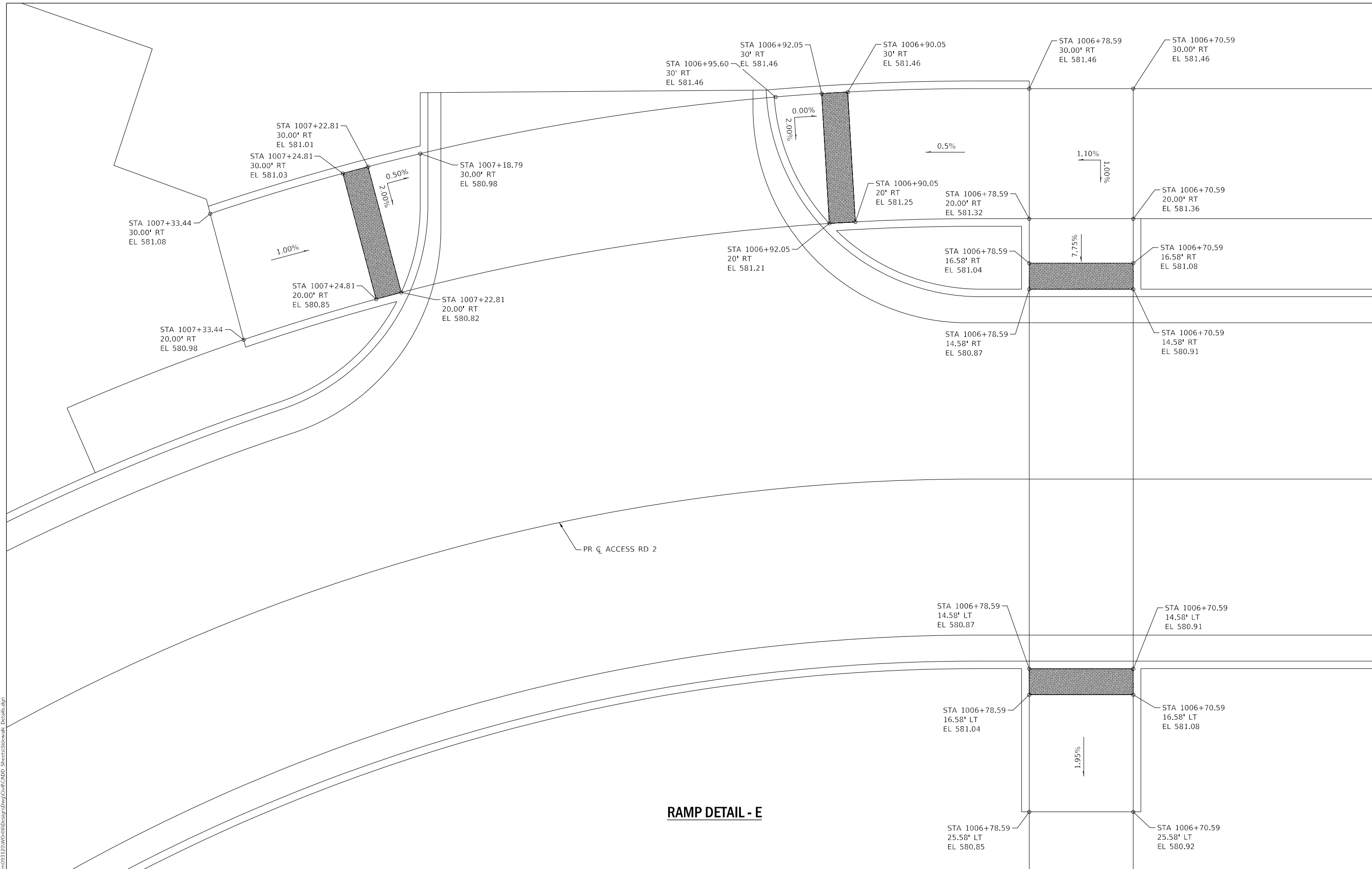
**STATE OF ILLINOIS
DEPARTMENT OF TRANSPORTATION**

SIDEWALK DETAILS

SCALE: 1" = 5'
SHEET OF SHEETS STA. TO STA.

F.A.P. RTE. 663	SECTION HANLEY PARKING 2023	COUNTY SANGAMON	TOTAL SHEETS 90	SHEET NO. 60
ILLINOIS FED. AID PROJECT			CONTRACT NO. 72403	

MODEL: D:\cadd\...
 FILE NAME: P:\R00093120\WC-06\Design\DWG\Civil\CADD_Sheets\Sidewalk_Details.dgn



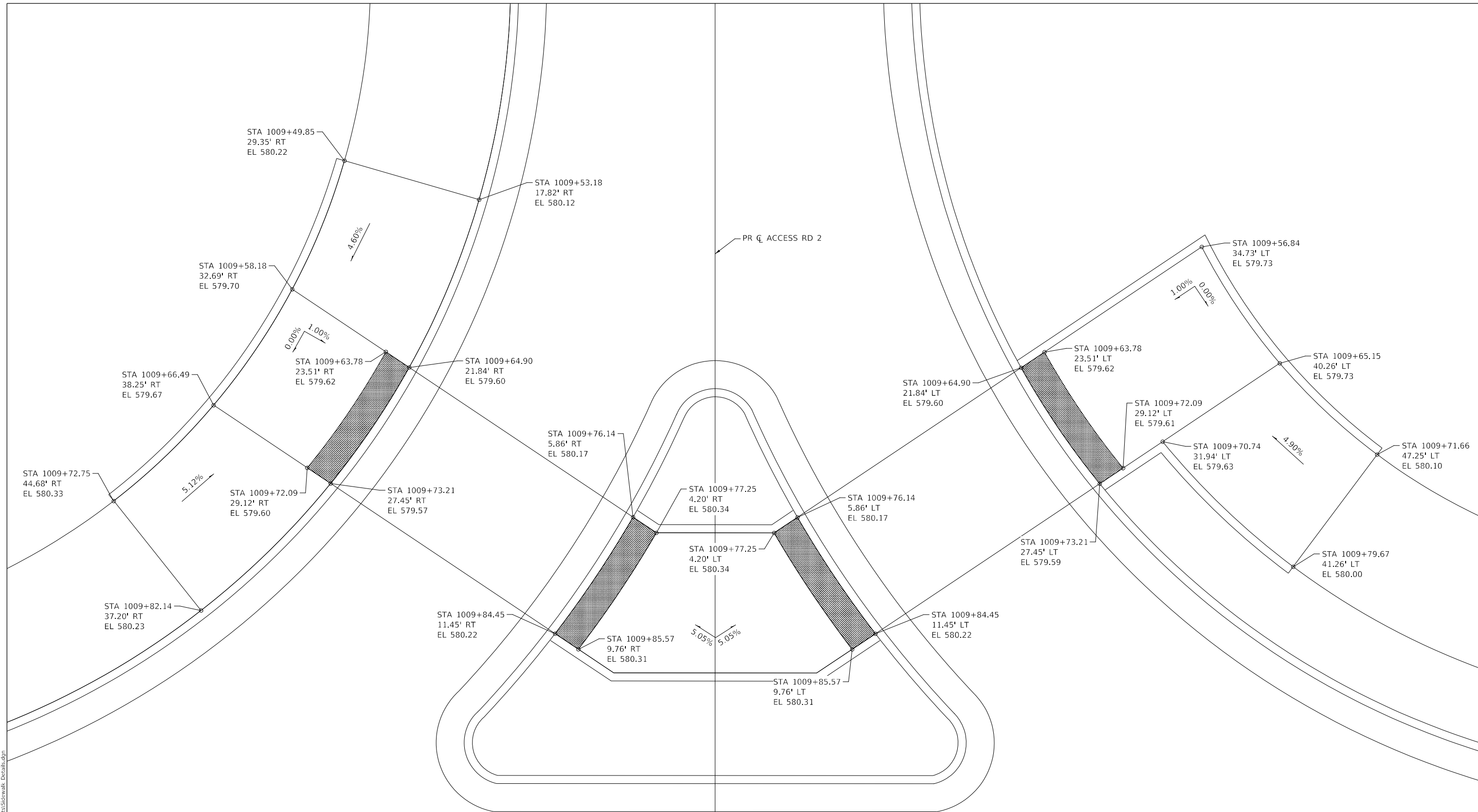
USER NAME = DBIakaj	DESIGNED - AW	REVISED -
PLOT SCALE = 1/20,000' / ft.	DRAWN - DB	REVISED -
PLOT DATE = 3/1/2023	CHECKED - PH	REVISED -
	DATE - 01/26/2023	REVISED -

**STATE OF ILLINOIS
 DEPARTMENT OF TRANSPORTATION**

SCALE: 1" = 5'	SHEET	OF	SHEETS	STA.	TO	STA.
----------------	-------	----	--------	------	----	------

SIDEWALK DETAILS

F.A.P. RTE. 663	SECTION HANLEY PARKING 2023	COUNTY SANGAMON	TOTAL SHEETS 90	SHEET NO. 61
ILLINOIS FED. AID PROJECT			CONTRACT NO. 72403	



RAMP DETAIL - F

MODEL: D:\rfs\h...
 FILE NAME: P:\Rm\093120\W0-06\Design\Drawn\Cliff\CADD_Sheets\Sidewalk_Detail.dgn



USER NAME = DBIakaj	DESIGNED - AW	REVISED -
DRAWN - DB	REVISIONS -	
PLOT SCALE = 1/20,0000' / ft.	CHECKED - PH	REVISED -
PLOT DATE = 3/1/2023	DATE - 01/26/2023	REVISED -

STATE OF ILLINOIS
DEPARTMENT OF TRANSPORTATION

SCALE: 1" = 5'		SHEET OF SHEETS		STA.	TO STA.

SIDEWALK DETAILS

F.A.P. RTE.	SECTION	COUNTY	TOTAL SHEETS	SHEET NO.
663	HANLEY PARKING 2023	SANGAMON	90	62
ILLINOIS FED. AID PROJECT			CONTRACT NO. 72403	

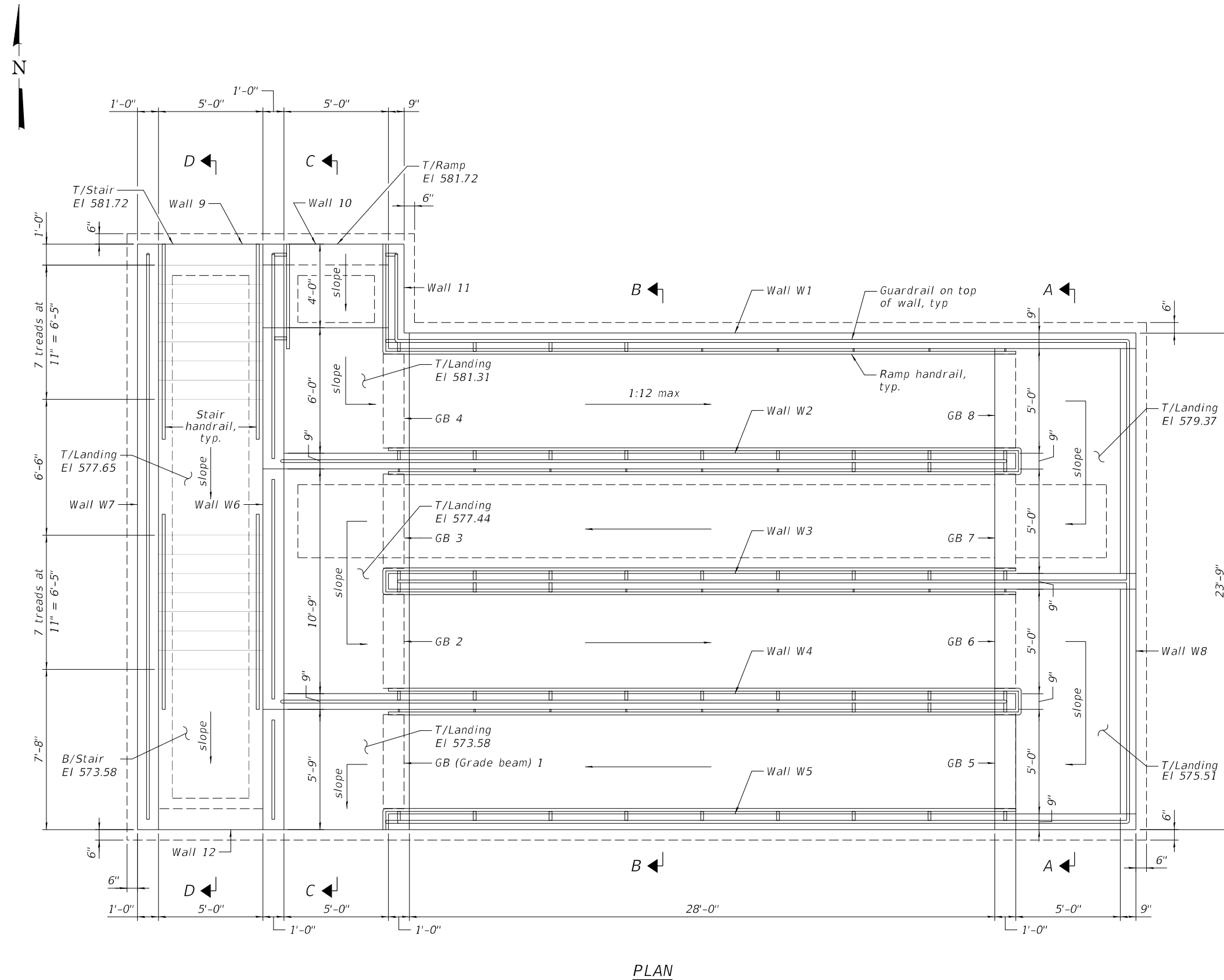
DESIGN SPECIFICATIONS

AASHTO LRFD Bridge Design Specifications,
9th Edition, 2020

Illinois Department of Transportation Bridge
Manual, January 2012

DESIGN STRESSES

$f'_c = 3,500$ psi Class SI
 $f_y = 60,000$ psi (Reinforcement)



PLAN

MODEL: Sheet
FILE NAME: P:\Rm03120\WO-06\Design\DWG\Structural\CADD_Sheets\S-01_Gen_Plan.dwg



USER NAME = DBIakaj	DESIGNED - JM	REVISED -
PLOT SCALE = 32.000000' / ft.	CHECKED - AS	REVISED -
PLOT DATE = 3/1/2023	DRAWN - AMV	REVISED -
	CHECKED - PAH	REVISED -

**STATE OF ILLINOIS
DEPARTMENT OF TRANSPORTATION**

**GENERAL PLAN
HANLEY STAIR AND RAMP**

SHEET S-1 OF 17 SHEETS

F.A.P. RTE.	SECTION	COUNTY	TOTAL SHEETS	SHEET NO.
663	HANLEY PARKING 2023	SANGAMON	90	63
CONTRACT NO. 72403				

ILLINOIS FED. AID PROJECT

STRUCTURAL GENERAL NOTES

CAST-IN-PLACE CONCRETE

1. All exposed concrete edges shall have a 3/4" x 45° chamfer, except where noted otherwise. Chamfer on vertical edges shall be continued a minimum of one foot below finished ground level.

REINFORCEMENT BARS

1. Reinforcement bars designated (E) shall be epoxy coated.
2. Reinforcement bar bending details shall be in accordance with the latest "Manual of Standard Practice for Detailing Reinforced Concrete Structures", ACI 315.
3. Reinforcement bar bending dimensions are out to out.
4. Cover from the face of concrete to face of reinforcement bars shall be 3" for surfaces formed against earth and 2" for all other surfaces unless otherwise shown.
5. Bars indicated thus 1 x 2-#4 etc. indicates 1 line of bars with 2 lengths per line.

CONSTRUCTION

1. Contractor shall not scale dimensions from the contract plans for construction purposes. Scales shown are for information only.
2. No construction joints, except those shown on the plans, will be allowed unless approved by the Engineer.
3. It shall be the Contractor's responsibility to verify the location of all utilities prior to starting construction. Contact J.U.L.I.E. - 811.
4. It shall be the Contractor's responsibility to verify the location of all fiber optic utilities prior to starting construction. The contractor shall initiate the location process for the fiber optic cable by completing a "Request toll way utilities locate" form filled in online at the toll way web site under "Doing Business" at least four (4) business days prior to starting any underground operations, excavations, or digging of any type in the general area of the fiber optic cable.
5. Apply concrete sealer to all exposed surfaces of the concrete facing that are adjacent to the roadway including the top surface of area.
6. Whenever any material is deposited into a drainage system or drainage structure, the deposited material shall be removed at the close of each working day. At the conclusion of construction operations, all drainage systems and structures shall be free from dirt and debris deposited during the various construction operations.
7. The Contractor shall use care when excavating around existing foundations. Any damage to the existing structure and/or supporting foundations shall be repaired or replaced at the Contractor's expense at no additional cost to IDOT.

INDEX OF SHEETS

S-1	General Plan
S-2	General Notes & Total Bill of Material
S-3	Ramp Plan
S-4	Foundation Plan
S-5	Sections Detail I
S-6	Sections Detail II
S-7	Wall 1 Elevation & Bill of Material
S-8	Wall 2 Elevation & Bill of Material
S-9	Wall 3 Elevation & Bill of Material
S-10	Wall 4 Elevation & Bill of Material
S-11	Wall 5 Elevation & Bill of Material
S-12	Wall 6 Elevation & Bill of Material
S-13	Wall 7 Elevation & Bill of Material
S-14	Wall 8 Elevation & Bill of Material
S-15	Walls 9, 10, 11 & 12 Details & Bill of Material
S-16	Grade Beams 1-8 Elevations & Bill of Material
S-17	Railing Details & Bill of Material

ABBREVIATIONS:

B.F.	Back face	N.	North
B/	Bottom of	No.	Number
B-B	Back to back	O.D.	Outside Diameter
Bk.	Back	O.F.	Outside Face
Bott.	Bottom	PJF	Prefomed Joint Filler
¢	Centerline	Prop.	Proposed
Clr.	Clear	Reinf.	Reinforcement
Conc.	Concrete	Rem.	Removal
Const.	Construction	Req'd.	Required
Cts.	Centers	ROW	Right of Way
Dia. or Ø	Diameter	S.	South
E.F.	Each Face	S.N.	Structure Number
Elev.	Elevation	SB	Southbound
Exist.	Existing	SE	Southeast
Exp.	Expansion	SW	Southwest
F.F.	Front Face	Sect.	Section
F/	Face of	Spa.	Spacing or Spaces
Fdn.	Foundation	Sta.	Station
F-F	Face to Face	Struct.	Structure
GB	Grade Beam	T/	Top of
Horiz.	Horizontal	Temp.	Temporary
Ht.	Height	Typ.	Typical
I.F.	Inside Face	UNO	Unless Noted Otherwise
Jt.	Joint	Var.	Various
Lt.	Left	Vert.	Vertical
Max.	Maximum	VIF	Verify in Field
Min.	Minimum	W.	West

TOTAL BILL OF MATERIAL

PAY ITEM NO.	ITEM	UNIT	TOTAL
50200100	Structure Excavation	Cu Yd	317
50300225	Concrete Structures	Cu Yd	136.0
50800205	Reinforcement Bars, Epoxy Coated	Pound	23,010
50900805	Pedestrian Railing	Foot	254
50901760	Pipe Handrail	Foot	296
58600101	Granular Backfill For Structures	Cu Yd	192
58700300	Concrete Sealer	Sq Ft	2,538

FILE NAME:

Rubinos & Mesia Engineers, Inc.
200 S. Michigan Avenue, Suite 1500, Chicago, IL 60604-2482

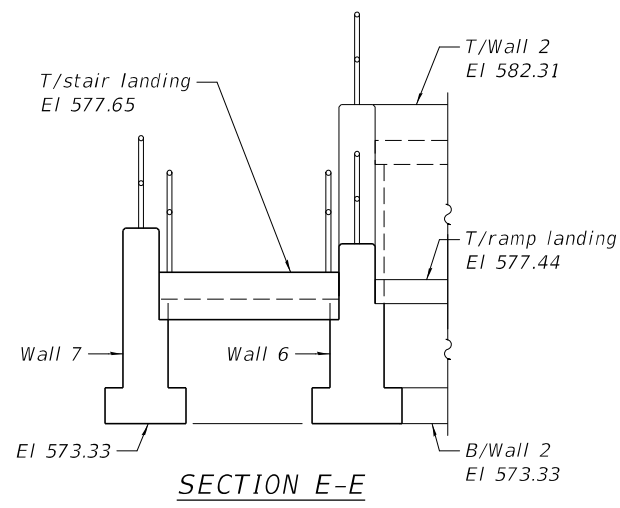
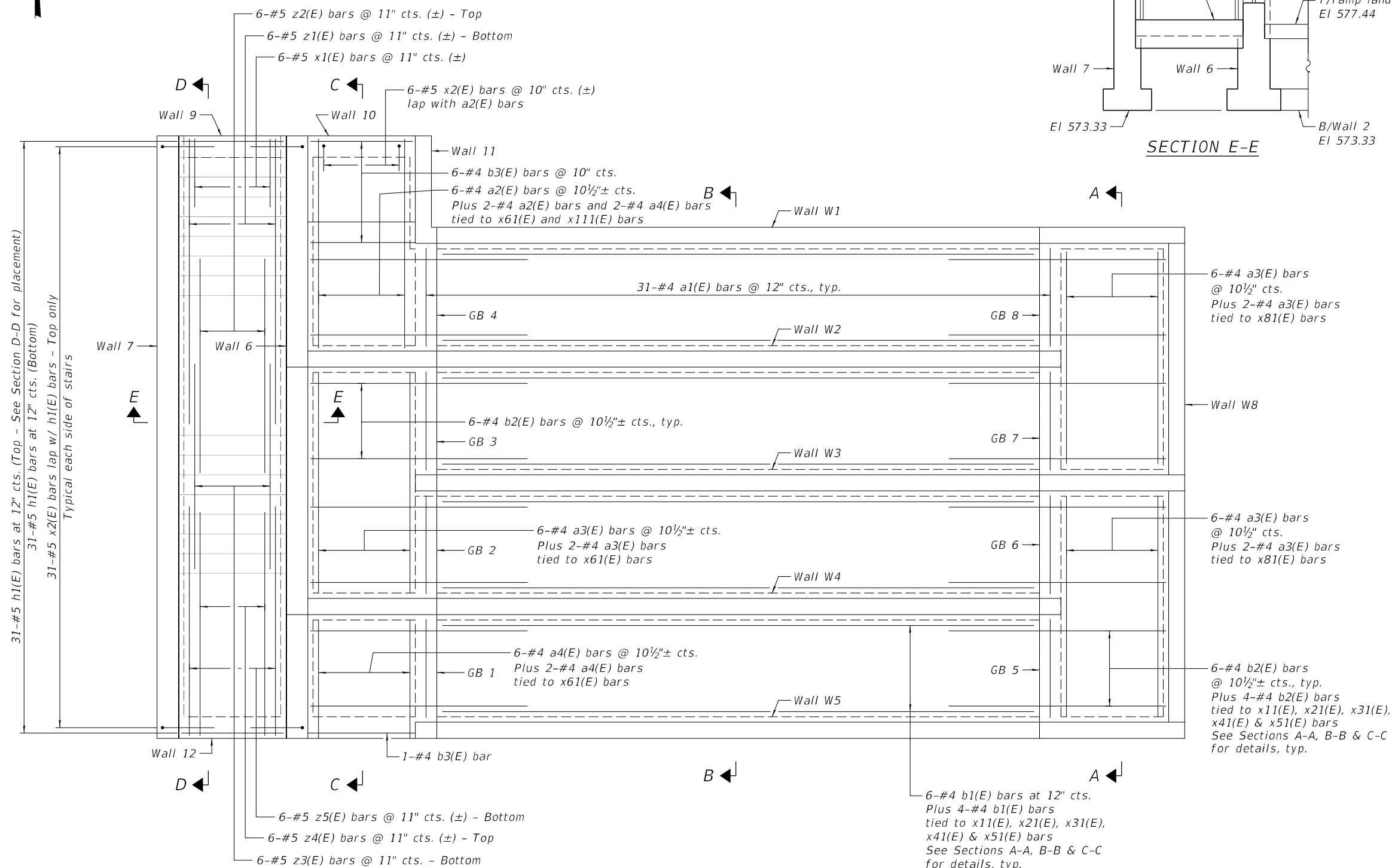
USER NAME = DBIaka	DESIGNED - JM	REVISED -
	CHECKED - AS	REVISED -
PLOT SCALE = 12:0' = 1" / ft.	DRAWN - JM/AMV	REVISED -
PLOT DATE = 3/1/2023	CHECKED - PAH	REVISED -

**STATE OF ILLINOIS
DEPARTMENT OF TRANSPORTATION**

**GENERAL NOTES & TOTAL BILL OF MATERIAL
HANLEY STAIR AND RAMP**

SHEET S-2 OF 17 SHEETS

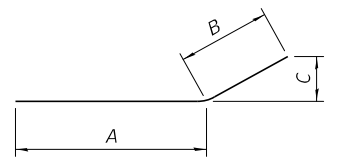
F.A.P. RTE.	SECTION	COUNTY	TOTAL SHEETS	SHEET NO.
663	HANLEY PARKING 2023	SANGAMON	90	64
CONTRACT NO. 72403				
		ILLINOIS	FED. AID PROJECT	



RAMP BILL OF MATERIAL

Bar	No.	Size	Length	Shape
a1(E)	124	#4	4'-10"	
a2(E)	8	#4	9'-9"	
a3(E)	24	#4	10'-7"	
a4(E)	10	#4	5'-6"	
b1(E)	40	#4	30'-1"	
b2(E)	64	#4	7'-5"	
b3(E)	7	#4	4'-10"	
h1(E)	62	#5	4'-10"	
x1(E)	6	#5	6'-0"	
x2(E)	68	#5	3'-2"	
z1(E)	6	#5	14'-4"	
z2(E)	6	#5	11'-3"	
z3(E)	6	#5	11'-3"	
z4(E)	6	#5	10'-3"	
z5(E)	6	#5	10'-2"	

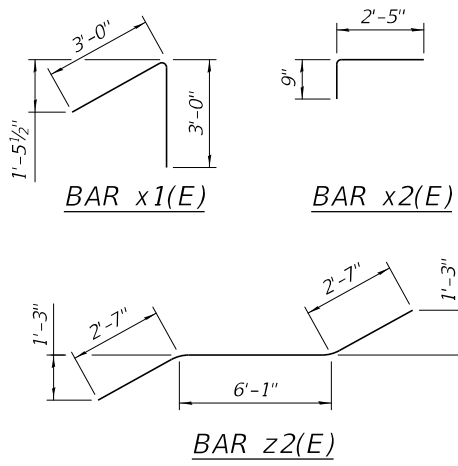
- * Concrete Structures Cu Yd 26.0
- * Concrete Sealer Sq Ft 1098
- Reinforcement Bars, Epoxy Coated Pound 2,740
- * Ramp slabs and stairs only.



A, B & C DIMENSIONS

Bar	A	B	C
a2(E)	5'-11"	3'-10"	4¾"
b2(E)	4'-10"	2'-7"	2⅛"
z1(E)	6'-4"	8'-0"	3'-10½"
z3(E)	9'-3"	2'-0"	10⅞"
z4(E)	7'-8"	2'-7"	1'-3"
z5(E)	7'-7"	2'-7"	1'-3"

BARS a2(E), b2(E), z1(E), z3(E), z4(E) & z5(E)



NOTES:
 See Sheet S-5 for Sections A-A & B-B.
 See Sheet S-6 for Sections C-C & D-D.

PLAN
 Showing Reinforcement

MODEL: Sheet
 FILE NAME: P:\Rm03120\WO-06\Design\DWG\Structural\CADD_Sheets\S-03_Ramp_Plan.dgn



USER NAME = DBIakaj	DESIGNED - JM	REVISED -
PLOT SCALE = 32.0000 ' / ft.	CHECKED - AS	REVISED -
PLOT DATE = 3/1/2023	DRAWN - AMV	REVISED -
	CHECKED - PAH	REVISED -

STATE OF ILLINOIS
DEPARTMENT OF TRANSPORTATION

RAMP PLAN
HANLEY STAIR AND RAMP

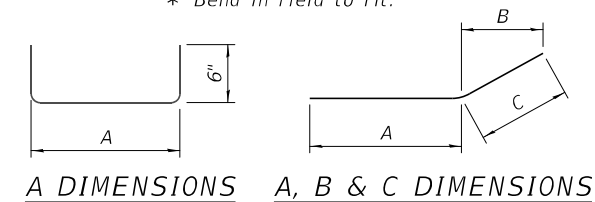
SHEET S-3 OF 17 SHEETS

F.A.P. RTE.	SECTION	COUNTY	TOTAL SHEETS	SHEET NO.
663	HANLEY PARKING 2023	SANGAMON	90	65
CONTRACT NO. 72403				
ILLINOIS FED. AID PROJECT				

**FOUNDATION
BILL OF MATERIAL**

Bar	No.	Size	Length	Shape
* w1(E)	12	#5	36'-10"	—
* w2(E)	18	#5	35'-3"	—
* w3(E)	20	#5	29'-7"	—
* w4(E)	32	#5	10'-0"	—
w5(E)	6	#5	16'-0"	—
w6(E)	6	#5	13'-4"	—
w7(E)	6	#5	17'-8"	—
w8(E)	6	#5	9'-3"	—
w9(E)	6	#5	16'-7"	—
w10(E)	6	#5	9'-3"	—
w11(E)	6	#5	5'-5"	—
w12(E)	3	#5	4'-5"	—
w13(E)	3	#5	7'-5"	—
w14(E)	3	#5	4'-10"	—
w15(E)	3	#5	13'-5"	—
w16(E)	3	#5	7'-4"	—
w17(E)	3	#5	10'-3"	—
w18(E)	3	#5	9'-6"	—
w19(E)	3	#5	9'-0"	—
w20(E)	3	#5	15'-3"	—
t1(E)	47	#5	7'-5"	—
t2(E)	47	#5	8'-5"	—
t3(E)	47	#5	13'-2"	—
t4(E)	47	#5	14'-2"	—
t5(E)	47	#5	2'-11"	—
t6(E)	51	#5	2'-8"	—
t7(E)	35	#5	1'-11"	—
t8(E)	36	#5	3'-2"	—
t9(E)	35	#5	2'-2"	—
t10(E)	22	#5	1'-8"	—
Concrete Structures	Cu Yd		40.7	
Reinforcement Bars, Epoxy Coated	Pound		5,590	

* Bend in field to fit.



A DIMENSIONS

A, B & C DIMENSIONS

Bar	A
t2(E)	7'-5"
t4(E)	13'-2"
t5(E)	1'-11"
t6(E)	1'-8"
t8(E)	2'-2"

**BARS t2(E),
t4(E), t5(E),
t6(E) & t8(E)**

Bar	A	B	C
w7(E)	13'-2"	1'-5 1/4"	4'-6"
w9(E)	12'-8"	1'-2 3/4"	3'-11"
w14(E)	10"	1'-5 1/2"	4'-0"
w18(E)	6'-6"	11 3/8"	3'-0"
w20(E)	13'-2"	8"	2'-1"

**BARS w7(E),
w9(E), w14(E),
w18(E) & w20(E)**

**MINIMUM
BAR LAP
#5 Bar = 2'-5"**

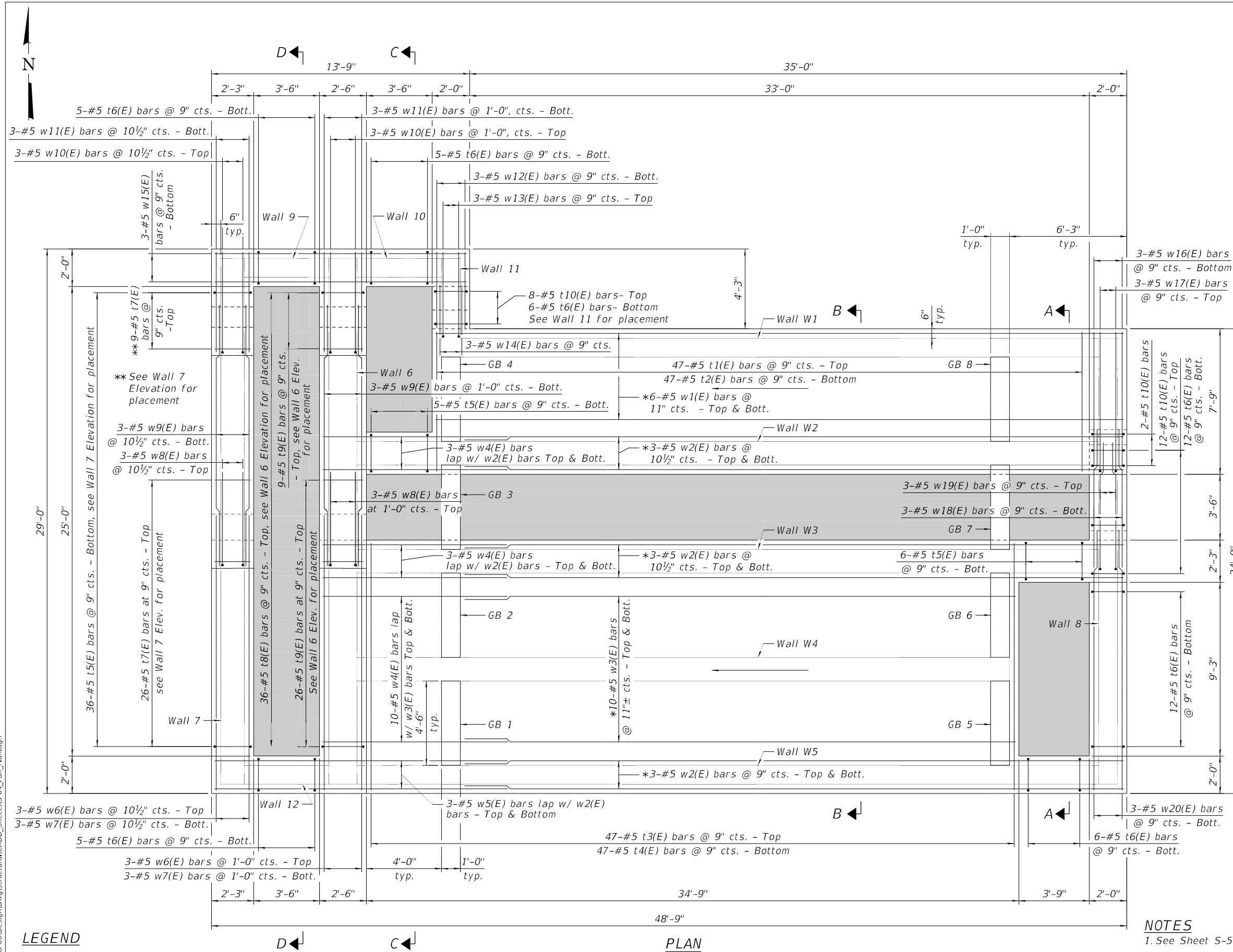
A & B DIMENSIONS

Bar	A	B
w8(E)	4'-3"	5'-0"
w10(E)	3'-10"	5'-5"
w13(E)	3'-0"	4'-5"
w17(E)	2'-11"	7'-4"
w19(E)	2'-1"	6'-11"

**BARS w8(E), w10(E),
w13(E), w17(E) & w19(E)**

NOTES

- See Sheet S-5 for Sections A-A & B-B.
- See Sheet S-6 for Sections C-C & D-D.
- n(E) bars not shown for clarity, see Wall Elevations for bar placement.



PLAN

LEGEND

█ - Opening in footing

MODEL: Sheet
FILE NAME: P:\Rm093120\WO-06\Design\DWG\Structural\CADD_Sheets\S-04_Fdn_Plan.dwg

RME Rubinos & Mesia Engineers, Inc.
200 S. Michigan Avenue, Suite 1500, Chicago, IL 60604-2482

USER NAME = DBIakaj	DESIGNED - XXX	REVISED -
PLOT SCALE = 32:0,000 1" = 32'	CHECKED - XXX	REVISED -
PLOT DATE = 3/1/2023	DRAWN - XXX	REVISED -
	CHECKED - XXX	REVISED -

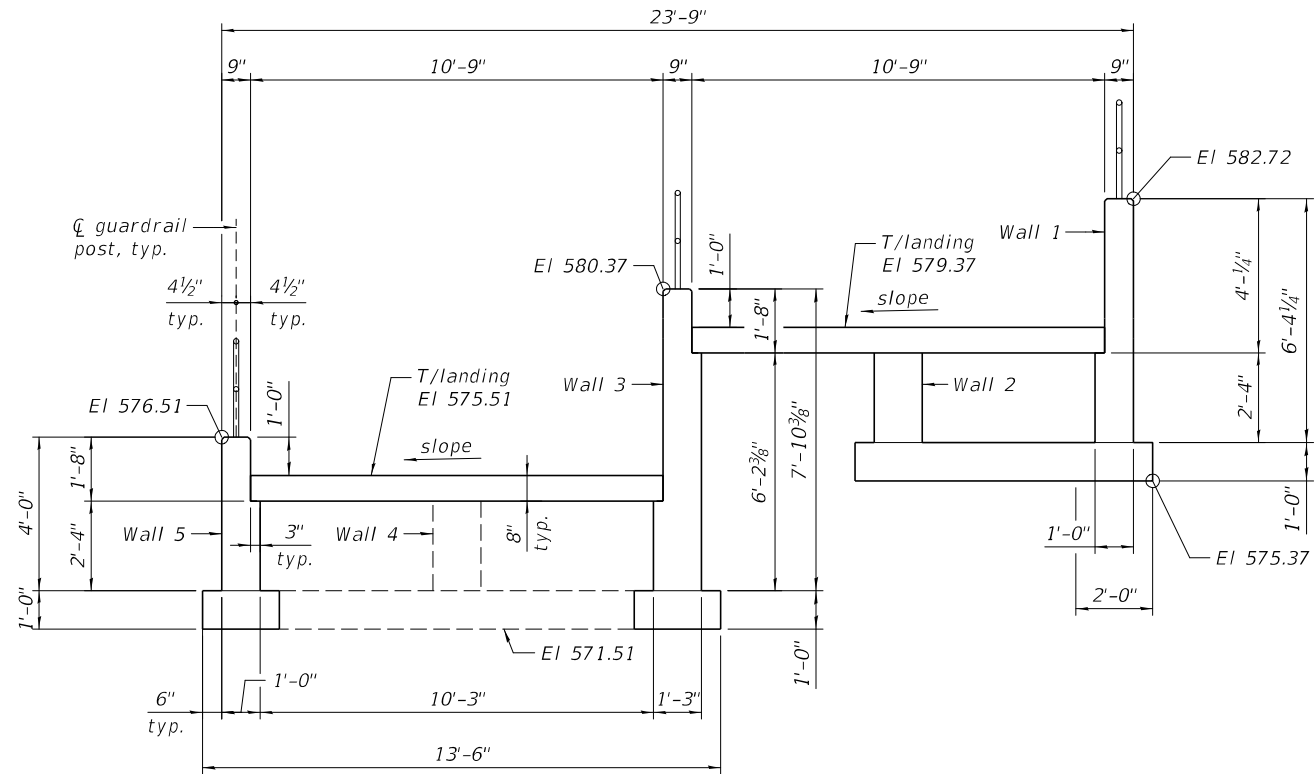
**STATE OF ILLINOIS
DEPARTMENT OF TRANSPORTATION**

**FOUNDATION PLAN
HANLEY STAIR AND RAMP**

SHEET S-4 OF 17 SHEETS

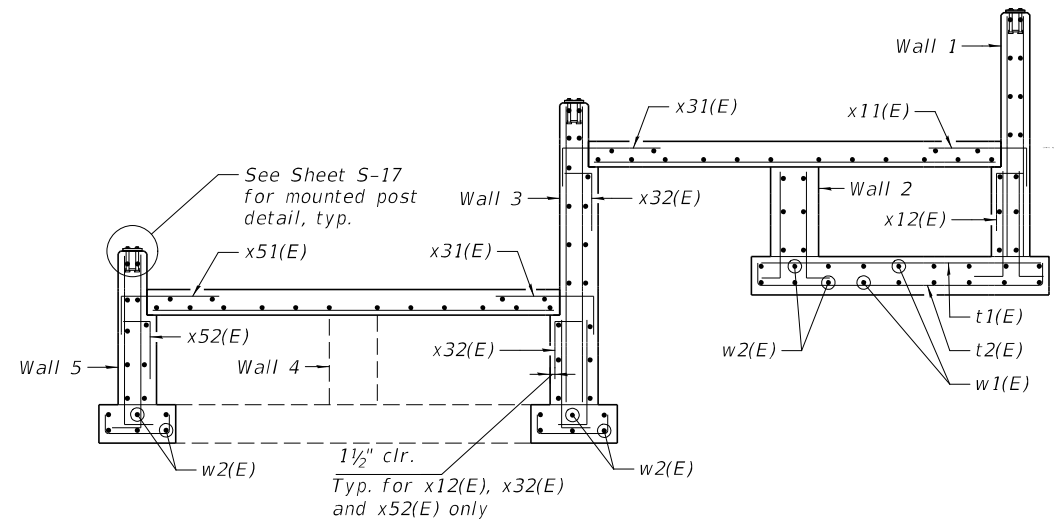
F.A.P. RTE.	SECTION	COUNTY	TOTAL SHEETS	SHEET NO.
663	HANLEY PARKING 2023	SANGAMON	90	66
CONTRACT NO. 72403				

ILLINOIS FED. AID PROJECT

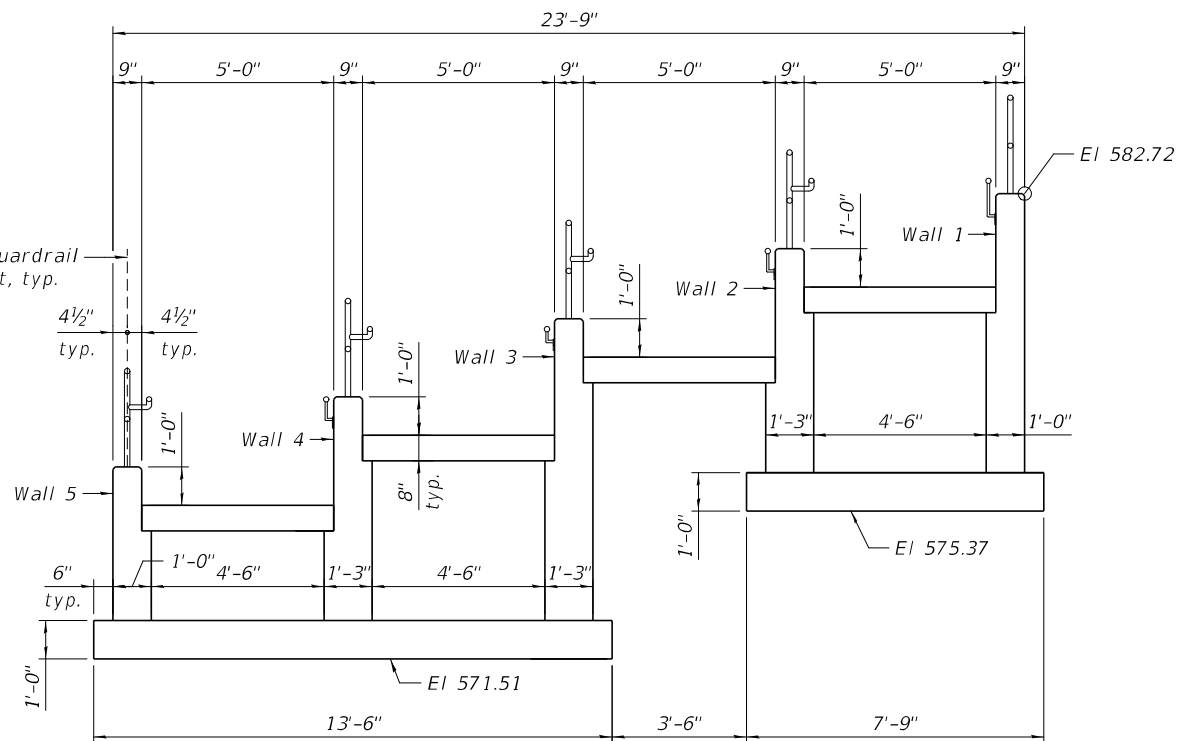


DIMENSIONS

SECTION A-A
(Looking West)

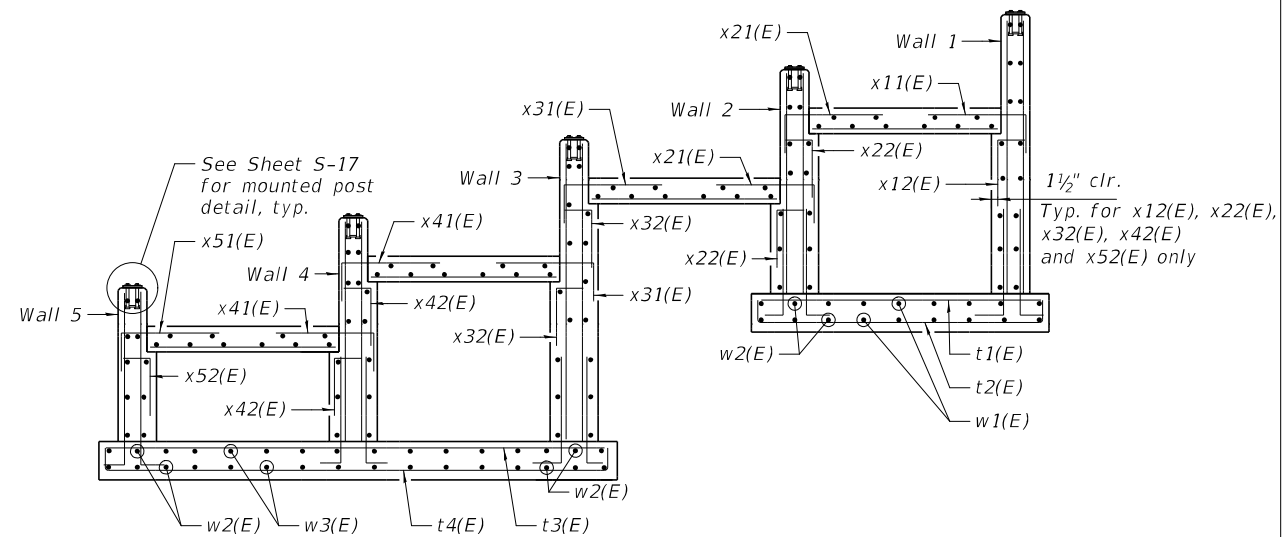


REINFORCEMENT



DIMENSIONS

SECTION B-B
(Looking West)



REINFORCEMENT

MODEL: Sheet
FILE NAME: P:\Rm03120\WO-06\Design\DWG\Structural\CADD_Sheets\S-05_Sections_01.dgn



USER NAME = DBIakaj	DESIGNED - JM	REVISED -
PLOT SCALE = 30.000' / ft.	CHECKED - AS	REVISED -
PLOT DATE = 3/1/2023	DRAWN - JM/AMV	REVISED -
	CHECKED - PAH	REVISED -

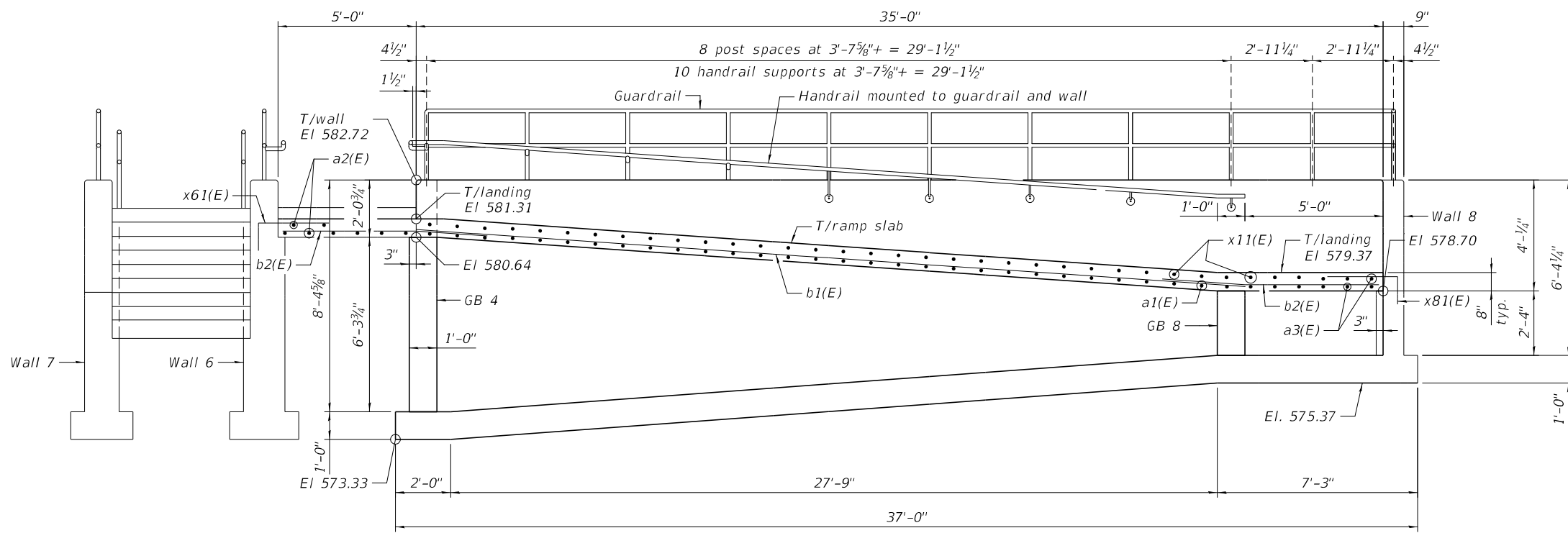
STATE OF ILLINOIS
DEPARTMENT OF TRANSPORTATION

SECTIONS DETAIL I
HANLEY STAIR AND RAMP

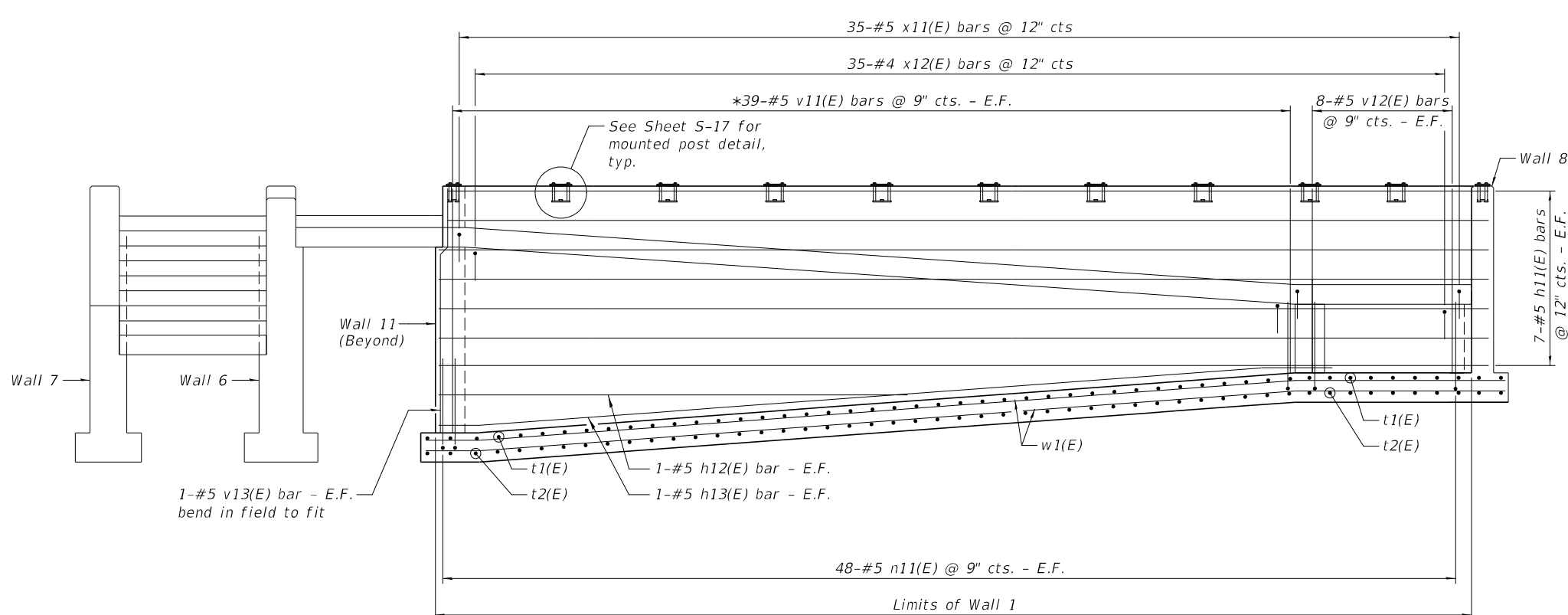
SHEET S-5 OF 17 SHEETS

F.A.P. RTE.	SECTION	COUNTY	TOTAL SHEETS	SHEET NO.
663	HANLEY PARKING 2023	SANGAMON	90	67
CONTRACT NO. 72403				

ILLINOIS FED. AID PROJECT



WALL 1 - ELEVATION SHOWING DIMENSIONS

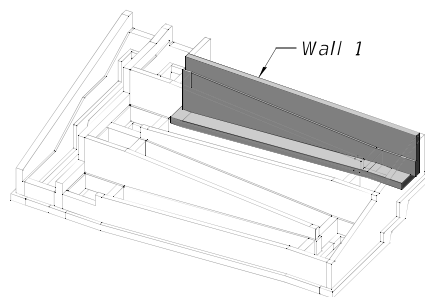


WALL 1 - ELEVATION SHOWING REINFORCEMENT

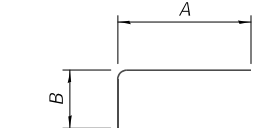
WALL 1 BILL OF MATERIAL

Bar	No.	Size	Length	Shape
h11(E)	14	#5	35'-5"	—
h12(E)	2	#5	15'-10"	—
h13(E)	2	#5	30'-5"	—
n11(E)	96	#5	3'-10"	—
* v11(E)	39	#5	14'-5"	—
v12(E)	16	#5	6'-2"	—
v13(E)	2	#5	8'-1"	—
x11(E)	35	#5	3'-6"	—
x12(E)	35	#4	2'-2"	—
** Concrete Structures		Cu Yd		8.4
Reinforcement Bars, Epoxy Coated		Pound		1,890
Concrete Sealer		Sq Ft		189

* Order bars full length cut bars according to the bar cutting diagram and use the remainder on the other face.
 ** Quantity for wall only, see Sheet S-4 for Foundation quantities.



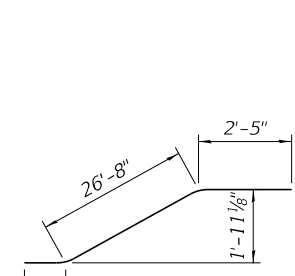
KEY MAP



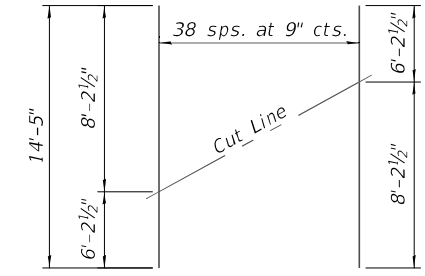
A & B DIMENSIONS

Bar	A	B
n11(E)	3'-1"	9"
x11(E)	2'-6"	1'-0"
x12(E)	1'-6"	8"

BARS n11(E), x11(E) & x12(E)



BAR h13(E)



*BAR v11(E) CUTTING DIAGRAM

NOTES

1. See Sheet S-4 for footing reinforcement details.
2. See Sheet S-5 for placement and locations of bent bars x11(E) and x12(E).
3. n11(E) bars are to be installed during foundation construction.

MODEL: Sheet
 FILE NAME: P:\Rm03120\WO-06\Design\Draw\Structural\CADD_Sheets\S-07_Wall_Elev_01.dgn



USER NAME = DBIakaj	DESIGNED - XXX	REVISED -
PLOT SCALE = 30:0.000 " = 1" / ft.	CHECKED - XXX	REVISED -
PLOT DATE = 3/1/2023	DRAWN - XXX	REVISED -
	CHECKED - XXX	REVISED -

STATE OF ILLINOIS
 DEPARTMENT OF TRANSPORTATION

WALL 1 ELEVATION & BILL OF MATERIAL
 HANLEY STAIR AND RAMP

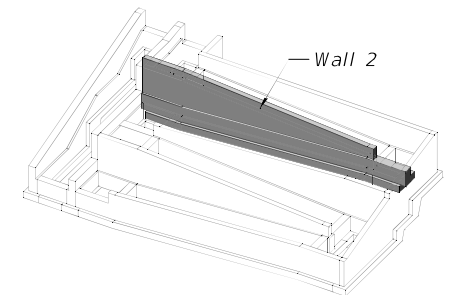
SHEET S-7 OF 17 SHEETS

F.A.P. RTE.	SECTION	COUNTY	TOTAL SHEETS	SHEET NO.
663	HANLEY PARKING 2023	SANGAMON	90	69
ILLINOIS			CONTRACT NO. 72403	
FED. AID PROJECT				

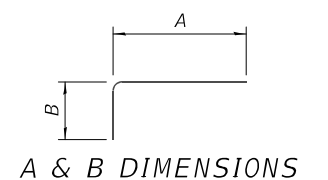
WALL 2 BILL OF MATERIAL

Bar	No.	Size	Length	Shape
h21(E)	6	#5	40'-7"	—
h22(E)	2	#5	19'-9"	—
h23(E)	2	#5	32'-7"	—
h24(E)	2	#5	34'-8"	—
h25(E)	2	#5	30'-2"	—
h26(E)	2	#5	16'-4"	—
h27(E)	2	#5	34'-9"	—
n21(E)	94	#5	3'-10"	—
v21(E)	16	#5	8'-0"	—
v22(E)	37	#5	11'-8"	—
v23(E)	4	#5	3'-10"	—
v24(E)	14	#5	3'-7"	—
x21(E)	70	#5	3'-6"	—
x22(E)	70	#4	2'-2"	—
** Concrete Structures			Cu Yd	9.0
Reinforcement Bars, Epoxy Coated			Pound	1,740
Concrete Sealer			Sq Ft	180

* Order bars full length cut bars according to the bar cutting diagram and use the remainder on the other face.
 ** Quantity for wall only, see Sheet S-4 for Foundation quantities.



KEY MAP



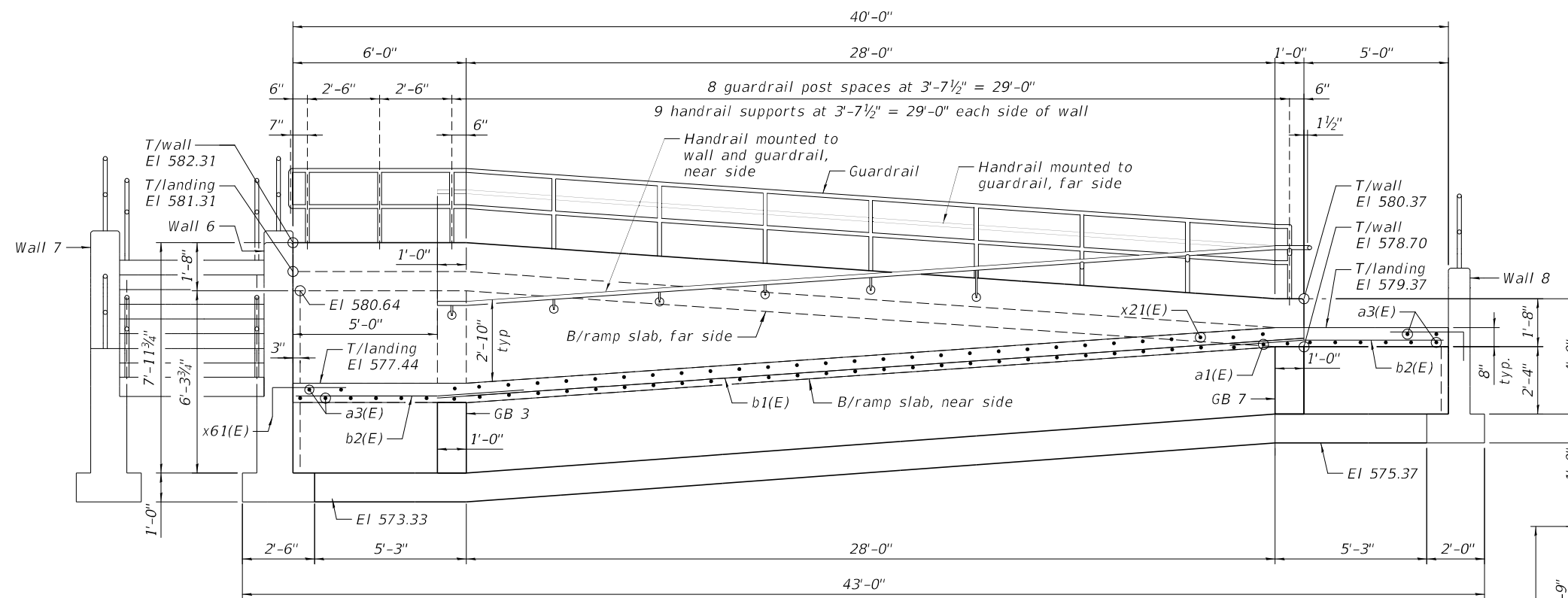
A & B DIMENSIONS

Bar	A	B
n21(E)	3'-1"	9"
v24(E)	2'-10"	9"
x21(E)	2'-6"	1'-0"
x22(E)	1'-6"	8"

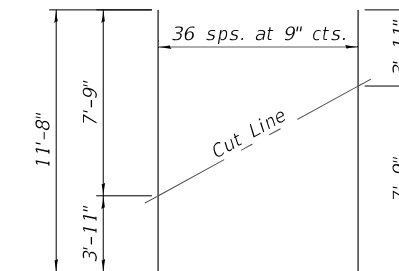
BARS n21(E), v24(E), x21(E) & x22(E)

NOTES

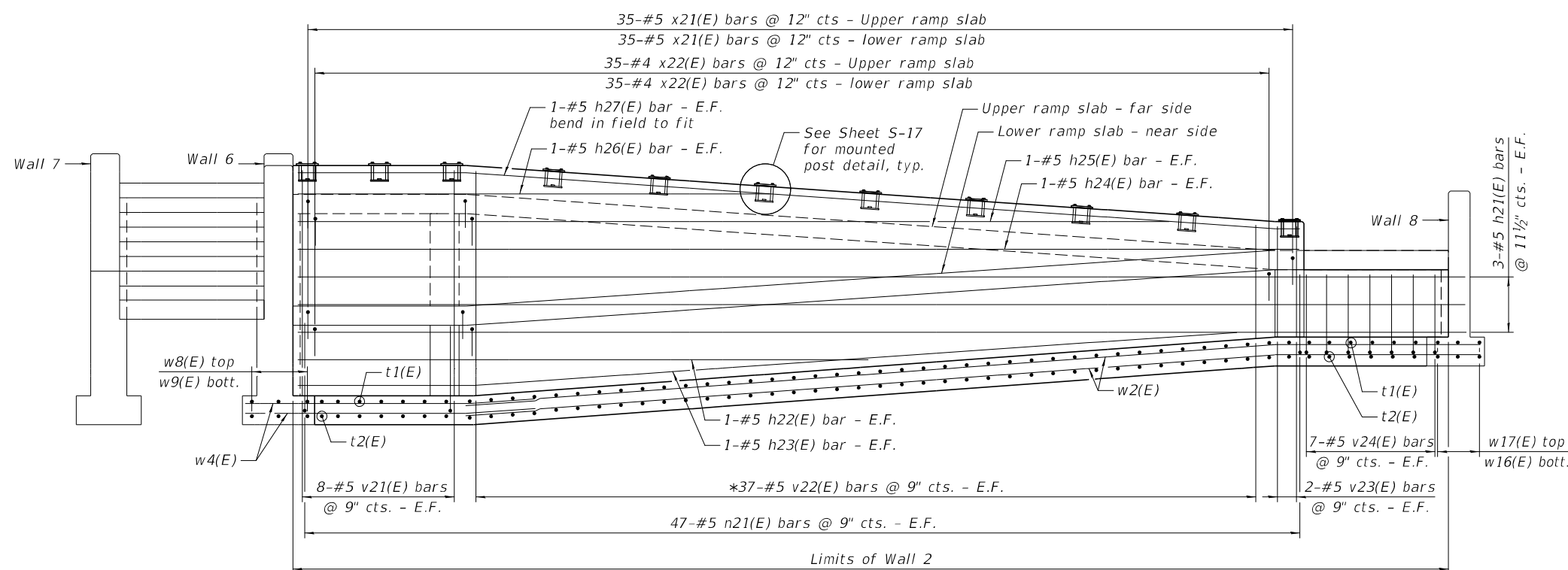
- See Sheet S-4 Foundation Plan for footing reinforcement quantities.
- See Sheets S-5 and S-6 for location and placement of bent bars x21(E) and x22(E).
- n21(E) and v24(E) bars are to be installed during foundation construction.



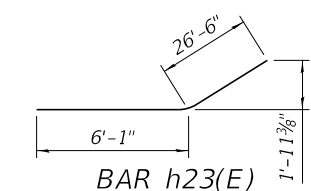
WALL 2 - ELEVATION SHOWING DIMENSIONS
(Looking North)



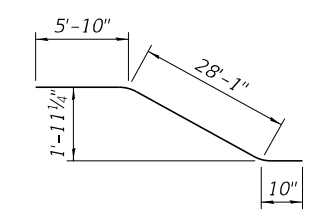
***BAR v22(E) CUTTING DIAGRAM**



WALL 2 - ELEVATION SHOWING REINFORCEMENT
(Looking North)



BAR h23(E)



BAR h27(E)

MODEL: Sheet
 FILE NAME: P:\Rm03120\WO-06\Design\DWG\Structural\CADD_Sheets\S-08_Wall_Elev_02.dgn



USER NAME = DBIakaj
 DESIGNED - JM
 CHECKED - .
 PLOT SCALE = 30:0.000 " = 1" / ft.
 DRAWN - JM/AMV
 PLOT DATE = 3/1/2023

DESIGNED - JM
 CHECKED - .
 DRAWN - JM/AMV
 CHECKED - .

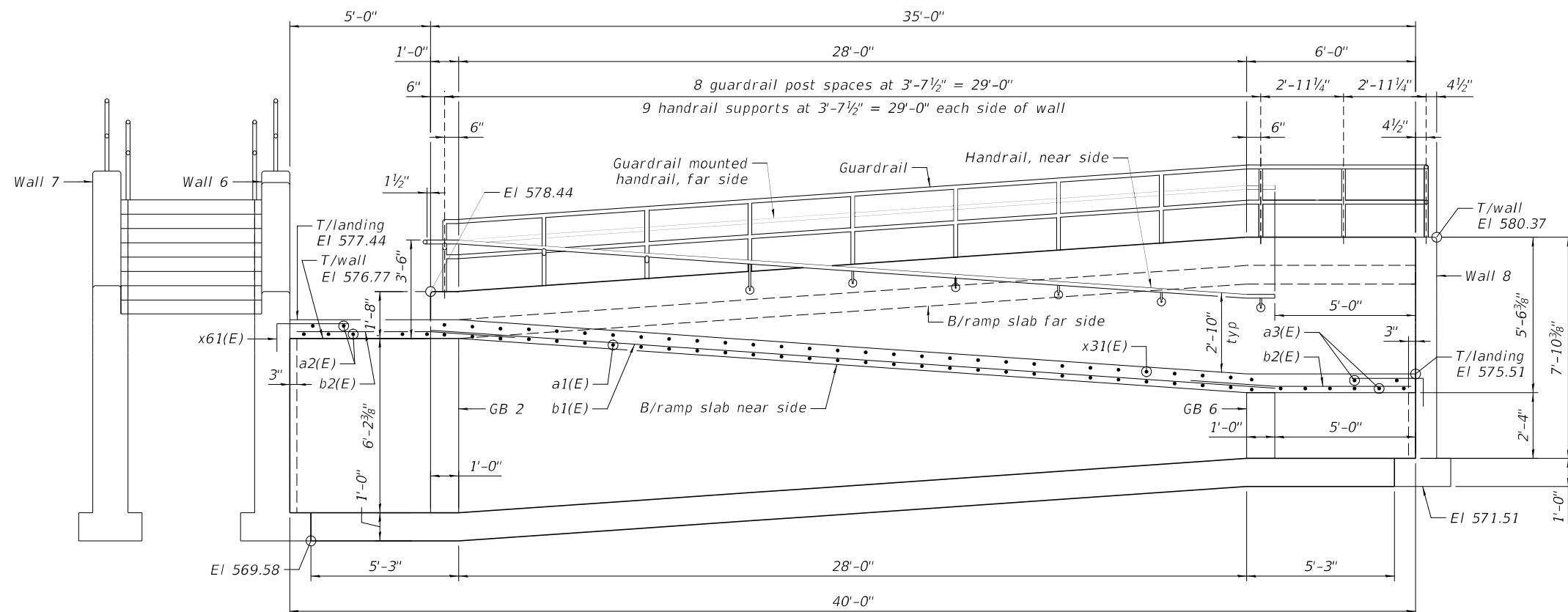
REVISED -
 REVISED -
 REVISED -
 REVISED -

**STATE OF ILLINOIS
 DEPARTMENT OF TRANSPORTATION**

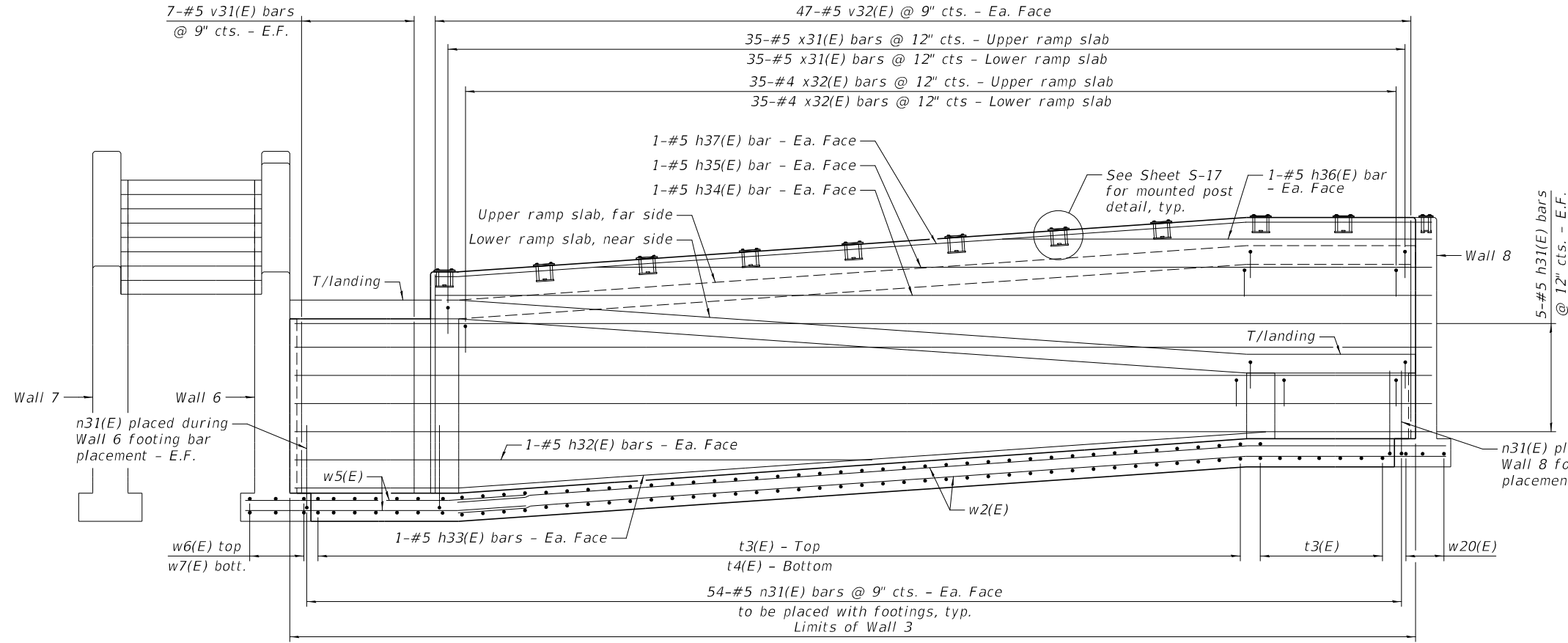
**WALL 2 ELEVATION & BILL OF MATERIAL
 HANLEY STAIR AND RAMP**

SHEET S-8 OF 17 SHEETS

F.A.P. RTE.	SECTION	COUNTY	TOTAL SHEETS	SHEET NO.
663	HANLEY PARKING 2023	SANGAMON	90	70
CONTRACT NO. 72403				
ILLINOIS FED. AID PROJECT				



WALL 3 - ELEVATION SHOWING DIMENSIONS
(Looking North)

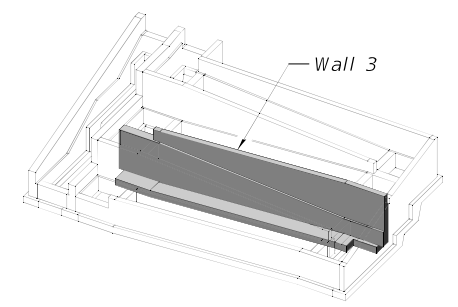


WALL 3 - ELEVATION SHOWING REINFORCEMENT
(Looking North)

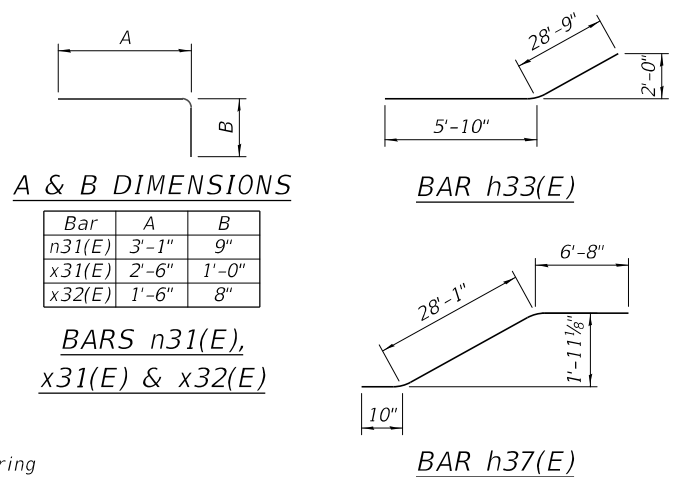
WALL 3 BILL OF MATERIAL

Bar	No.	Size	Length	Shape
h31(E)	10	#5	40'-5"	—
h32(E)	2	#5	20'-6"	—
h33(E)	2	#5	34'-7"	—
h34(E)	2	#5	35'-5"	—
h35(E)	2	#5	29'-9"	—
h36(E)	2	#5	15'-3"	—
h37(E)	2	#5	36'-2"	—
n31(E)	108	#5	3'-10"	—
v31(E)	14	#5	6'-0"	—
v32(E)	94	#5	7'-10"	—
x31(E)	70	#5	3'-6"	—
x32(E)	70	#4	2'-2"	—
* Concrete Structures			Cu Yd	12.4
Reinforcement Bars, Epoxy Coated			Pound	2,430
Concrete Sealer			Sq Ft	180

* Quantity for wall only, see Sheet S-4 for Foundation quantities.



KEY MAP



A & B DIMENSIONS

Bar	A	B
n31(E)	3'-1"	9"
x31(E)	2'-6"	1'-0"
x32(E)	1'-6"	8"

BARS n31(E), x31(E) & x32(E)

BAR h37(E)

NOTES

1. See Sheet S-4 Foundation Plan for footing reinforcement quantities.
2. See Sheets S-5 and S-6 for location and placement of bent bars x31(E) and x32(E).
3. n31(E) bars are to be installed during foundation construction.

MODEL: Sheet
FILE NAME: P:\Rm093120\WO-06\Design\DWG\Structural\CADD_Sheets\S-09_Wall_Elev_03.dgn



USER NAME = DBIakaj	DESIGNED - XXX	REVISED -
PLOT SCALE = 30:0.000 " = 1" / ft.	CHECKED - XXX	REVISED -
PLOT DATE = 3/1/2023	DRAWN - XXX	REVISED -
	CHECKED - XXX	REVISED -

**STATE OF ILLINOIS
DEPARTMENT OF TRANSPORTATION**

**WALL 3 ELEVATION & BILL OF MATERIAL
HANLEY STAIR AND RAMP**

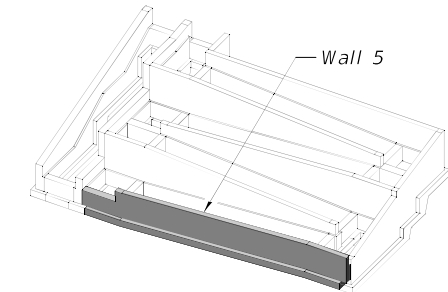
SHEET S-9 OF 17 SHEETS

F.A.P. RTE.	SECTION	COUNTY	TOTAL SHEETS	SHEET NO.
663	HANLEY PARKING 2023	SANGAMON	90	71
ILLINOIS			CONTRACT NO. 72403	
FED. AID PROJECT				

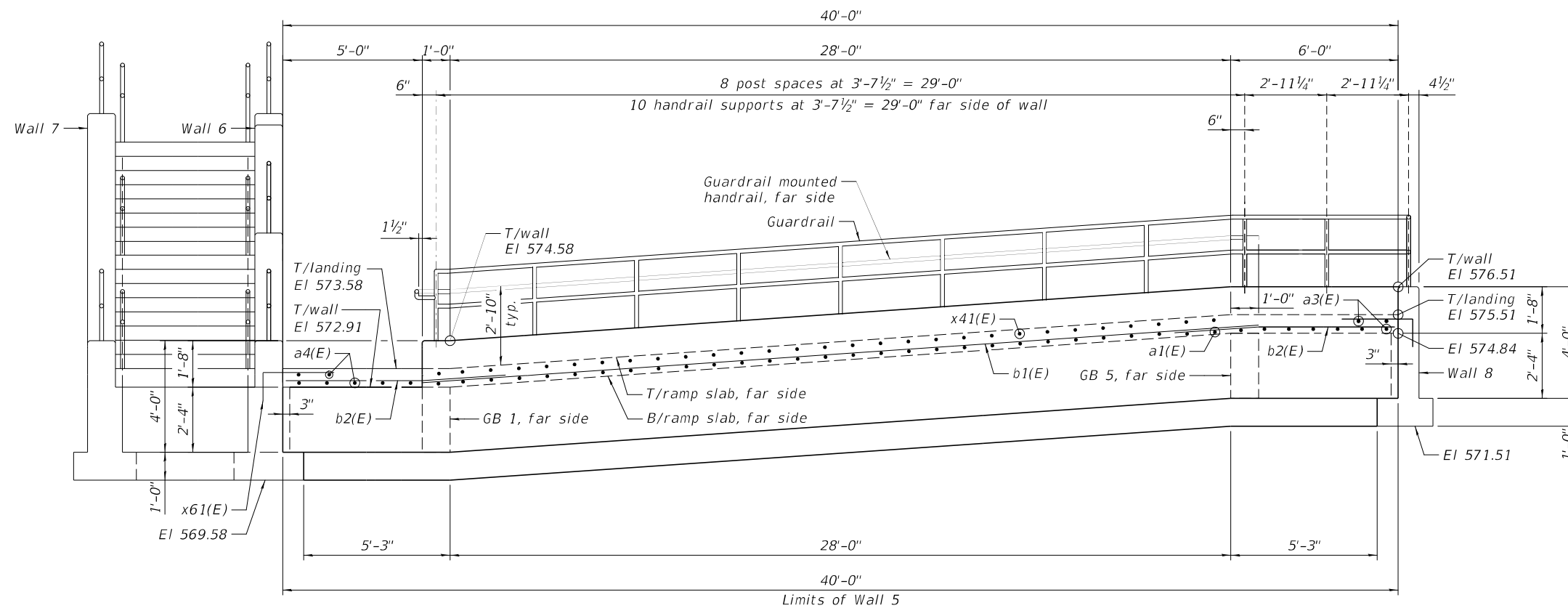
WALL 5 BILL OF MATERIAL

Bar	No.	Size	Length	Shape
h51(E)	6	#5	8'-10"	
h52(E)	10	#5	35'-8"	
v51(E)	14	#5	3'-7"	
v52(E)	96	#5	5'-3"	
x51(E)	35	#5	3'-6"	
x52(E)	28	#4	2'-2"	
* Concrete Structures			Cu Yd	5.1
Reinforcement Bars, Epoxy Coated			Pound	1,180
Concrete Sealer			Sq Ft	144

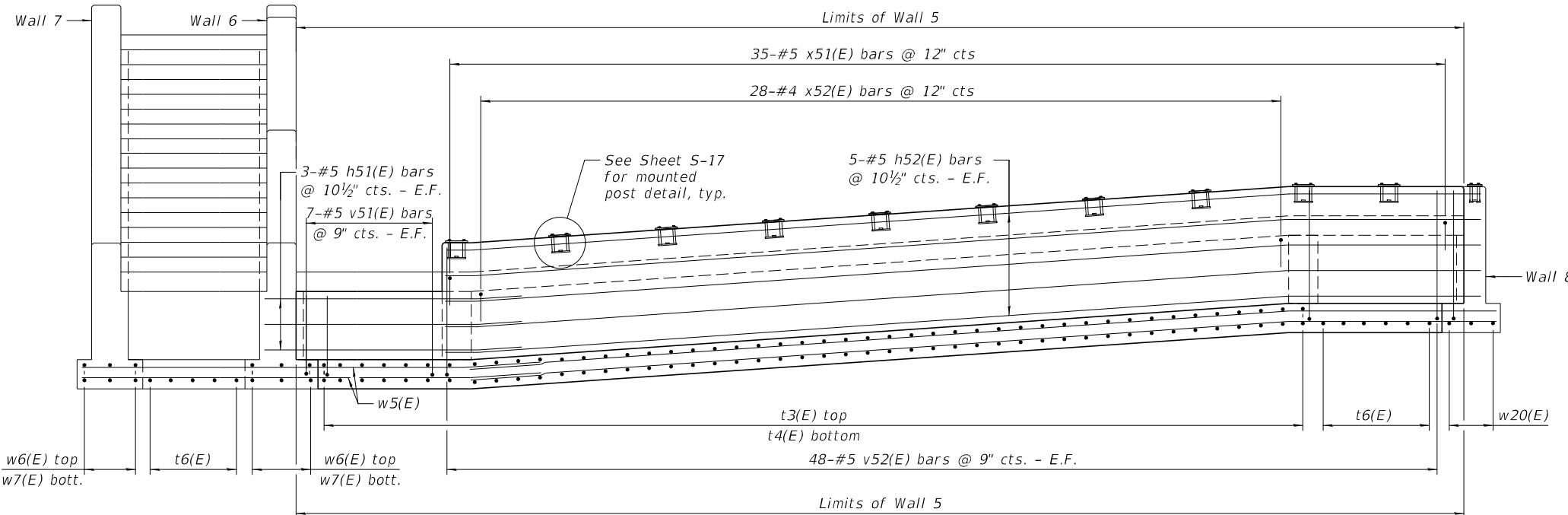
*Quantity for wall only, see Sheet S-4 for Foundation quantities



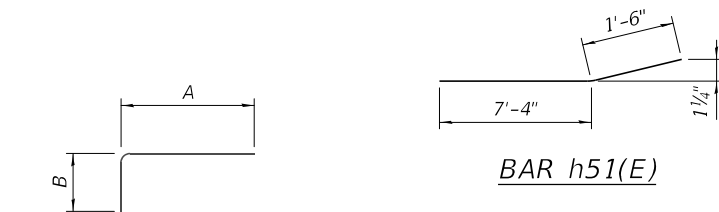
KEY MAP



WALL 5 - ELEVATION SHOWING DIMENSIONS
(Looking North)



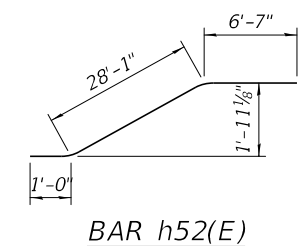
WALL 5 - ELEVATION SHOWING REINFORCEMENT
(Looking North)



A & B DIMENSIONS

Bar	A	B
v51(E)	2'-10"	9"
v52(E)	4'-6"	9"
x51(E)	2'-6"	1'-0"
x52(E)	1'-6"	8"

BARS v51(E), v52(E), x51(E) & x52(E)



BAR h52(E)

NOTES

- See Sheet S-4 Foundation Plan for footing reinforcement quantities.
- See Sheet S-5 and S-6 for location and placement of bent bars x51(E) and x52(E).
- n51(E) bars are to be installed during foundation construction.

MODEL: Sheet
FILE NAME: P:\Rm093120\WO-06\Design\DWG\Structural\CADD_Sheets\S-11_Wall_Elev_05.dgn



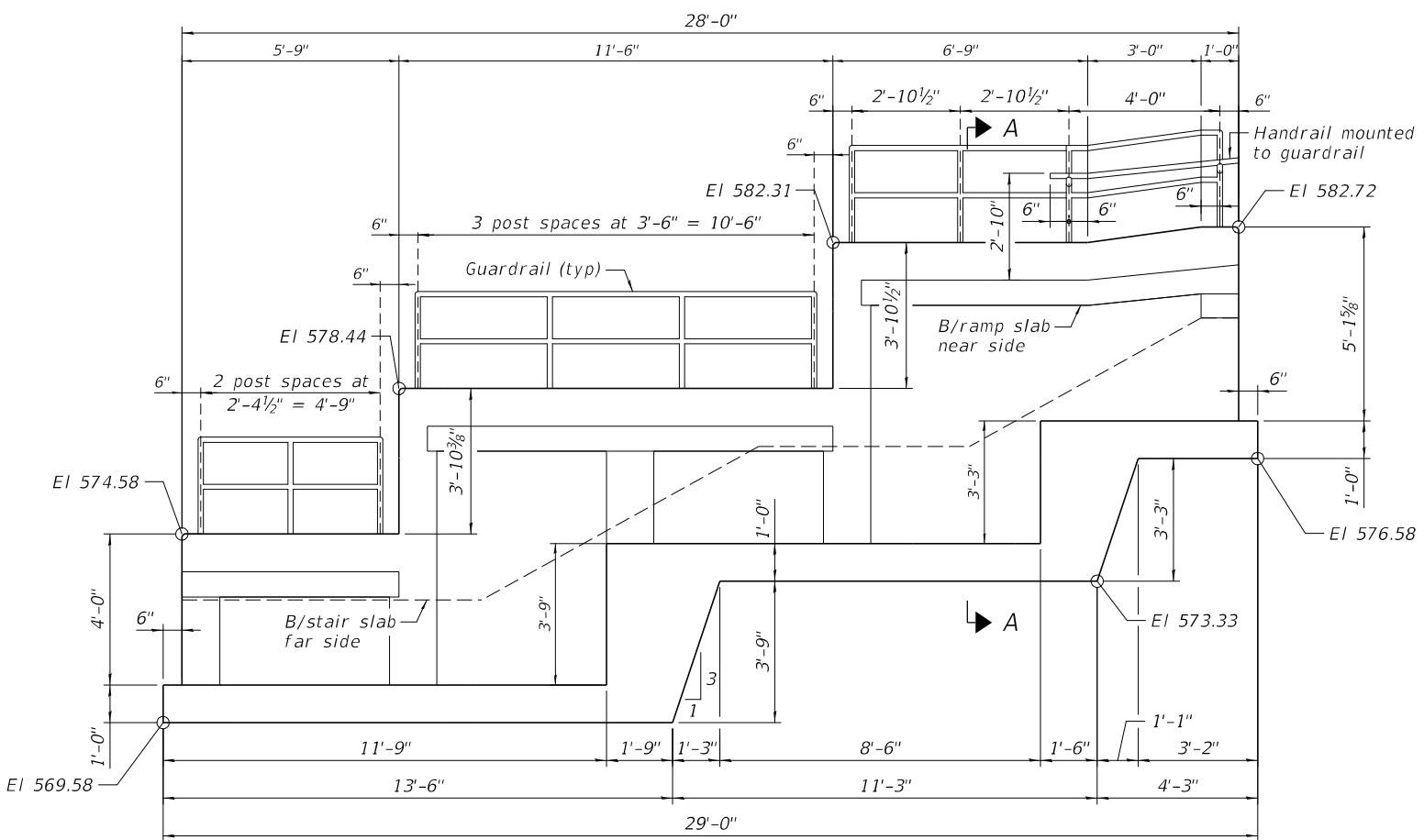
USER NAME = DBIakaj	DESIGNED - XXX	REVISED -
PLOT SCALE = 30:0,00 "*/ft.	CHECKED - XXX	REVISED -
PLOT DATE = 3/1/2023	DRAWN - XXX	REVISED -
	CHECKED - XXX	REVISED -

**STATE OF ILLINOIS
DEPARTMENT OF TRANSPORTATION**

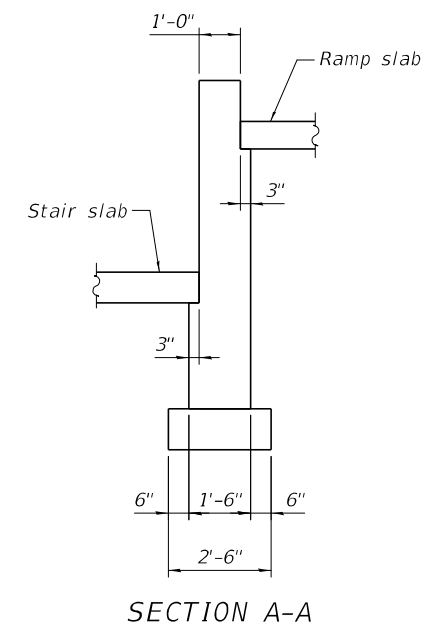
**WALL 5 ELEVATION & BILL OF MATERIAL
HANLEY STAIR AND RAMP**

SHEET S-11 OF 17 SHEETS

F.A.P. RTE.	SECTION	COUNTY	TOTAL SHEETS	SHEET NO.
663	HANLEY PARKING 2023	SANGAMON	90	73
CONTRACT NO. 72403				
ILLINOIS FED. AID PROJECT				



WALL 6 - ELEVATION SHOWING DIMENSIONS
(Looking West)

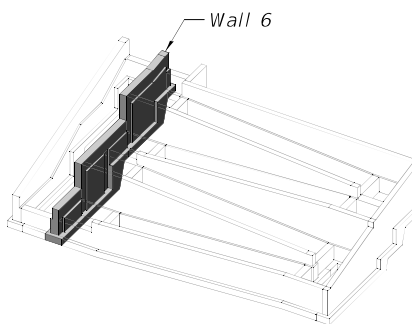


SECTION A-A

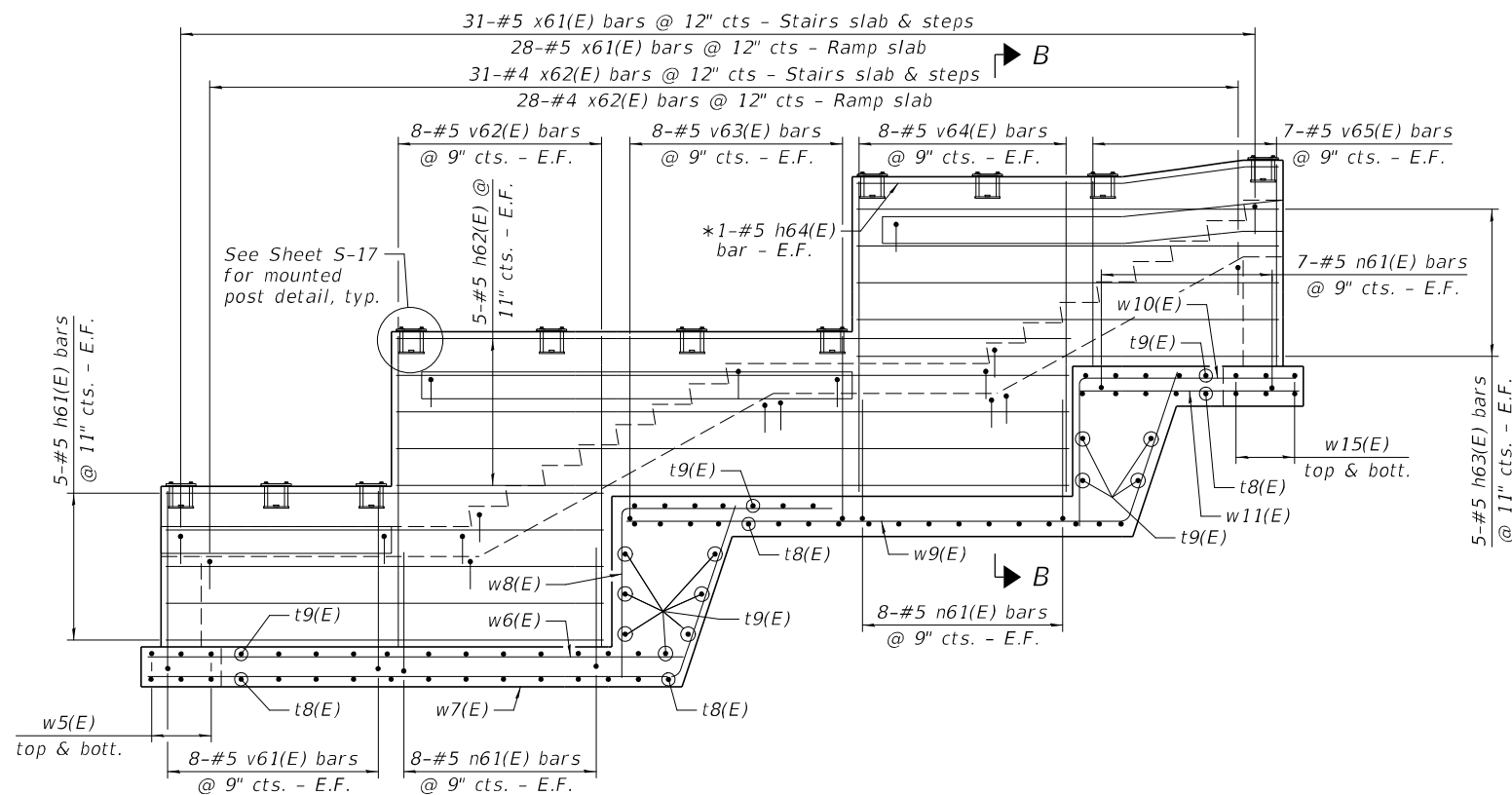
WALL 6 BILL OF MATERIAL

Bar	No.	Size	Length	Shape	
h61(E)	10	#5	10'-11"	—	
h62(E)	10	#5	16'-8"	—	
h63(E)	10	#5	10'-5"	—	
* h64(E)	2	#5	10'-6"	—	
n61(E)	46	#5	3'-10"	—	
v61(E)	16	#5	5'-3"	—	
v62(E)	16	#5	7'-8"	—	
v63(E)	16	#5	5'-4"	—	
v64(E)	16	#5	7'-6"	—	
v65(E)	14	#5	4'-7"	—	
x61(E)	59	#5	3'-6"	—	
x62(E)	59	#4	2'-2"	—	
** Concrete Structures				Cu Yd	7.7
Reinforcement Bars, Epoxy Coated				Pound	1,400
Concrete Sealer				Sq Ft	135

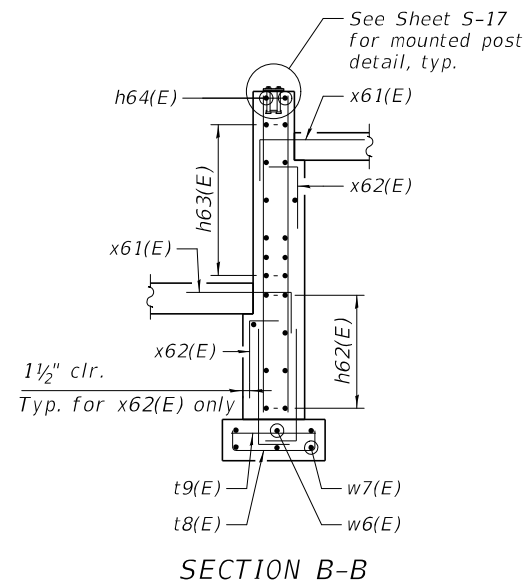
* Bend in field to fit.
** Quantity for wall only, see Sheet S-4 for Foundation quantities



KEY MAP



WALL 6 - ELEVATION SHOWING REINFORCEMENT
(Looking West)



SECTION B-B

A & B DIMENSIONS

Bar	A	B
n61(E)	3'-1"	9"
v61(E)	4'-6"	9"
v63(E)	4'-7"	9"
x61(E)	2'-6"	1'-0"
x62(E)	1'-6"	8"

BARS n61(E), v61(E), v63(E), x61(E) & x62(E)

NOTES

- See Sheet S-4 Foundation Plan for footing reinforcement quantities.
- n61(E) bars are to be installed during foundation construction.

MODEL: Sheet
FILE NAME: P:\Rm03120\WO-06\Design\DWG\Structural\CADD_Sheets\S-12_Wall_Elev_06.dgn



USER NAME = DBIakaj
DESIGNED - JM
CHECKED - JM
PLOT SCALE = 28:0,000 1" = 1'
PLOT DATE = 3/1/2023

DESIGNED - JM
CHECKED - JM
DRAWN - JM/AMV
CHECKED - JM

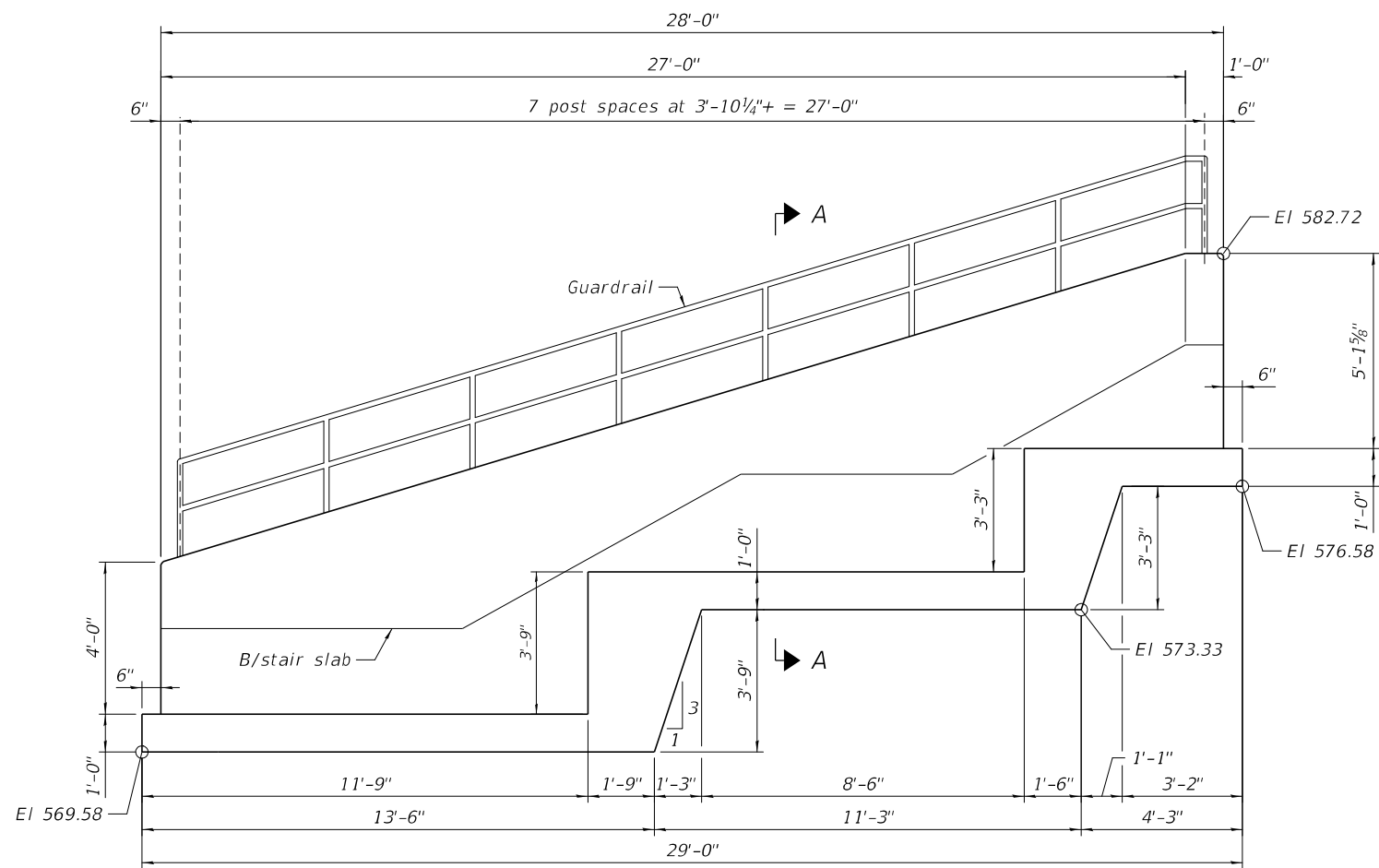
REVISED -
REVISED -
REVISED -
REVISED -

**STATE OF ILLINOIS
DEPARTMENT OF TRANSPORTATION**

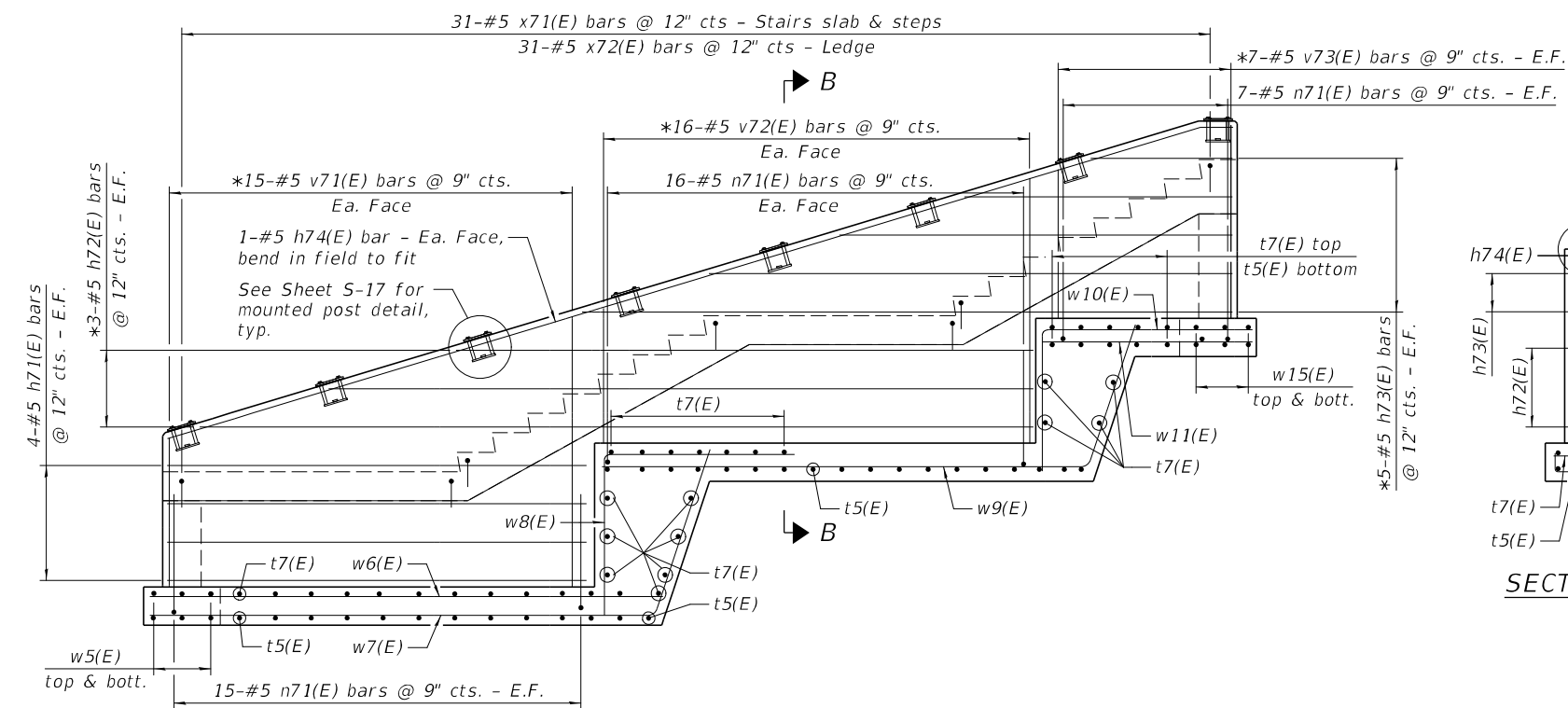
**WALL 6 ELEVATION & BILL OF MATERIAL
HANLEY STAIR AND RAMP**

SHEET S-12 OF 17 SHEETS

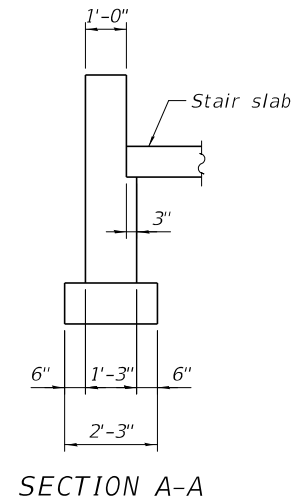
F.A.P. RTE.	SECTION	COUNTY	TOTAL SHEETS	SHEET NO.
663	HANLEY PARKING 2023	SANGAMON	90	74
CONTRACT NO. 72403				
ILLINOIS FED. AID PROJECT				



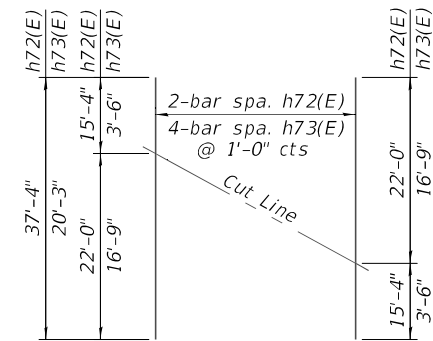
WALL 7 - ELEVATION SHOWING DIMENSIONS
(Looking West)



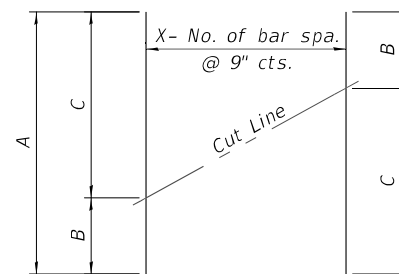
WALL 7 - ELEVATION SHOWING REINFORCEMENT
(Looking West)



SECTION A-A



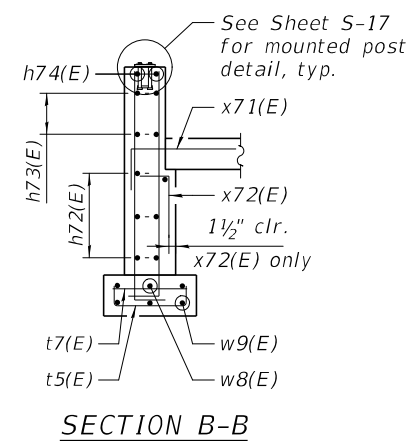
***BARS h72(E) & h73(E)**
CUTTING DIAGRAM



A, B & C DIMENSIONS

Bar	X	A	B	C
v71(E)	14	10'-11"	3'-10 1/2"	7'-1 1/2"
v72(E)	15	10'-5"	3'-6"	6'-11"
v73(E)	6	9'-1"	3'-10 1/2"	5'-2 1/2"

***BARS v71(E), v72(E) & v73(E)**
CUTTING DIAGRAM

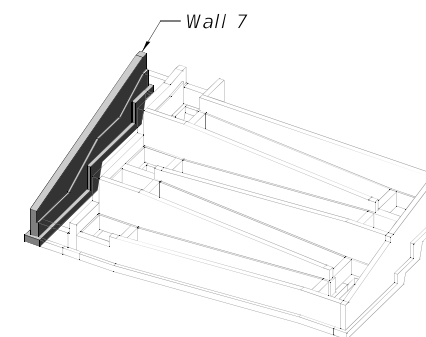


SECTION B-B

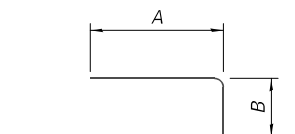
WALL 7 BILL OF MATERIAL

Bar	No.	Size	Length	Shape
h71(E)	8	#5	10'-11"	---
h72(E)	3	#5	37'-4"	---
h73(E)	5	#5	20'-3"	---
h74(E)	2	#5	29'-0"	---
n71(E)	76	#5	3'-10"	---
v71(E)	15	#5	10'-11"	---
v72(E)	16	#5	10'-5"	---
v73(E)	7	#5	9'-1"	---
x71(E)	31	#5	3'-6"	---
x72(E)	31	#4	2'-2"	---
Concrete Structures		Cu Yd	6.4	
Reinforcement Bars, Epoxy Coated		Pound	1,250	
Concrete Sealer		Sq Ft	153	

- * Order bars full length cut bars according to the bar cutting diagram and use the remainder on the other face.
- ** Quantity for wall only, see Sheet S-4 for Foundation quantities.



KEY MAP



A & B DIMENSIONS

Bar	A	B
n71(E)	3'-1"	9"
x71(E)	2'-6"	1'-0"
x72(E)	1'-6"	8"

BARS n71(E), x71(E) & x72(E)

NOTES

- See Sheet S-4 Foundation Plan for footing reinforcement quantities.
- n71(E) bars are to be installed during foundation construction.

MODEL: Sheet
FILE NAME: P:\Rm093120\WO-06\Design\DWG\Structural\CADD_Sheets\S-13_Wall_Elev_07.dgn



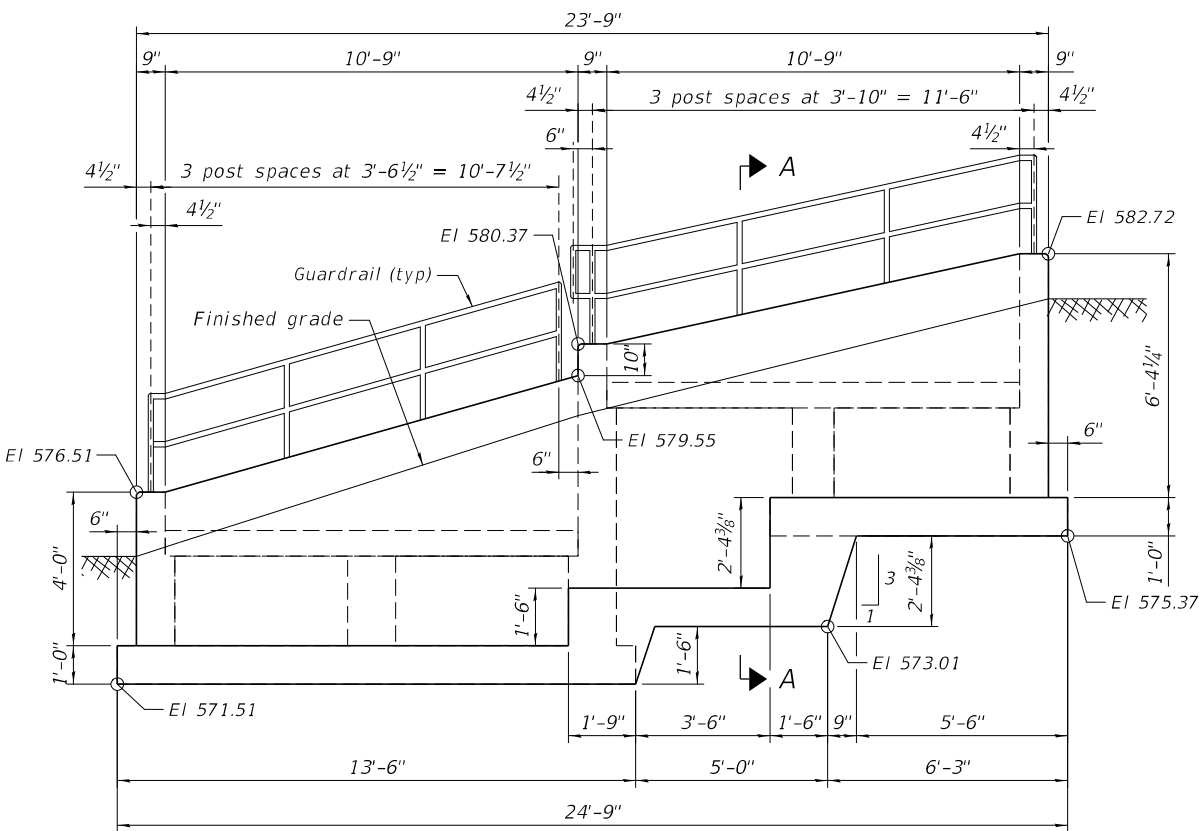
USER NAME = DBIakaj	DESIGNED - JM	REVISED -
PLOT SCALE = 28,000 ' / ft.	CHECKED - AS	REVISED -
PLOT DATE = 3/1/2023	DRAWN - JM/AMV	REVISED -
	CHECKED - PAH	REVISED -

STATE OF ILLINOIS
DEPARTMENT OF TRANSPORTATION

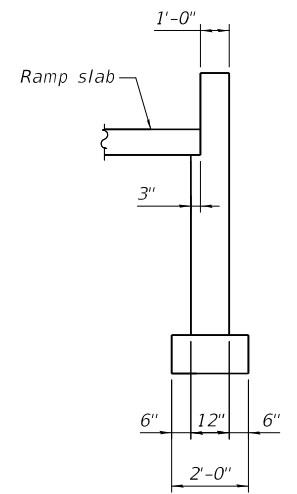
WALL 7 ELEVATION & BILL OF MATERIAL
HANLEY STAIR AND RAMP

SHEET S-13 OF 17 SHEETS

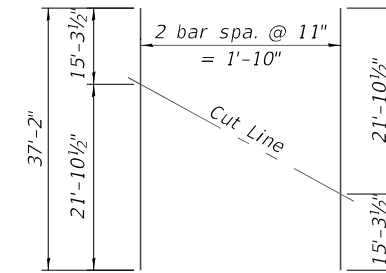
F.A.P. RTE.	SECTION	COUNTY	TOTAL SHEETS	SHEET NO.
663	HANLEY PARKING 2023	SANGAMON	90	75
CONTRACT NO. 72403				
ILLINOIS FED. AID PROJECT				



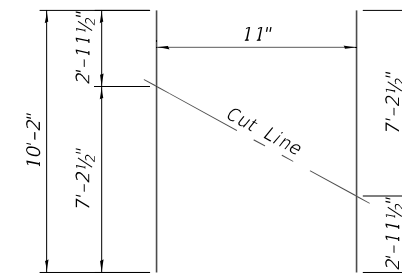
WALL 8 - ELEVATION SHOWING DIMENSIONS
(Looking West)



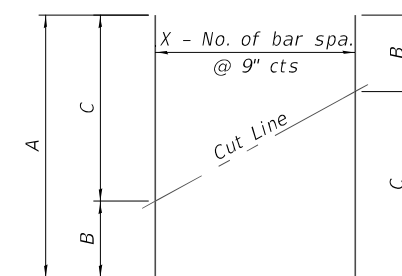
SECTION A-A



***BARS h3(E)**
CUTTING DIAGRAM



***BARS h5(E)**
CUTTING DIAGRAM



A, B & C DIMENSIONS

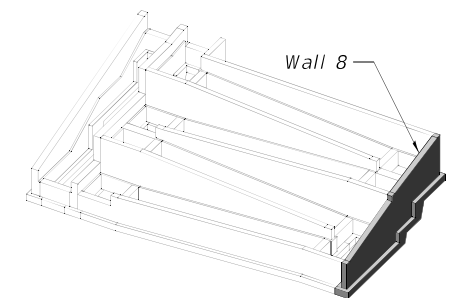
Bar	X	A	B	C
v82(E)	13	10'-9"	4'-0"	6'-9"
v84(E)	5	13'-4"	6'-3"	7'-1"
v85(E)	7	10'-11"	4'-10 1/2"	6'-1/2"

***BARS v82(E), v84(E) & v85(E)**
CUTTING DIAGRAM

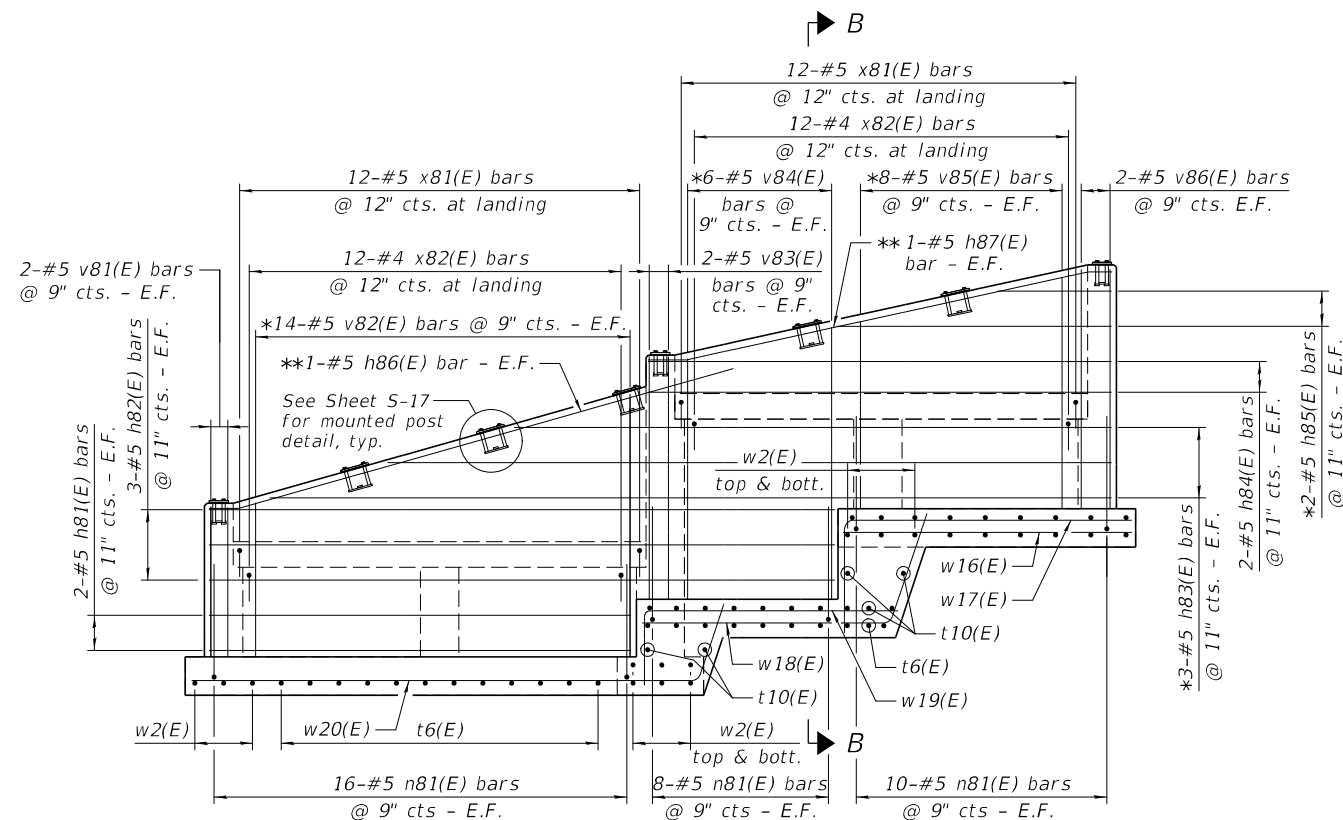
WALL 8 BILL OF MATERIAL

Bar	No.	Size	Length	Shape
h81(E)	4	#5	10'-11"	—
h82(E)	6	#5	16'-2"	—
* h83(E)	3	#5	37'-2"	—
h84(E)	2	#5	11'-11"	—
* h85(E)	2	#5	10'-2"	—
h86(E)	2	#5	14'-2"	—
h87(E)	2	#7	12'-4"	—
n81(E)	68	#5	3'-10"	—
v81(E)	4	#5	3'-10"	—
* v82(E)	14	#5	10'-9"	—
v83(E)	8	#5	6'-2"	—
* v84(E)	6	#5	13'-4"	—
* v85(E)	8	#5	10'-11"	—
x81(E)	24	#5	3'-6"	—
x82(E)	24	#4	2'-2"	—
*** Concrete Structures		Cu Yd	4.4	
Reinforcement Bars, Epoxy Coated		Pound	1,190	
Concrete Sealer		Sq Ft	126	

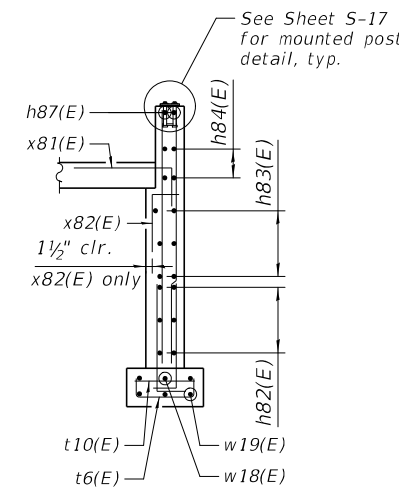
- * Order bars full length cut bars according to the bar cutting diagram and use them on the other face.
- ** Bend in field to fit.
- *** Quantity for wall only, see Sheet S-4 for Foundation quantities.



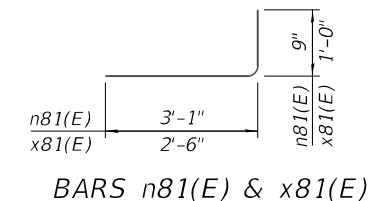
KEY MAP



WALL 8 - ELEVATION SHOWING REINFORCEMENT
(Looking West)



SECTION B-B



BARS n81(E) & x81(E)

MODEL: Sheet
FILE NAME: P:\Rm093120\WO-06\Design\DWG\Structural\CADD_Sheets\S-14_Wall_Elev_08.dgn



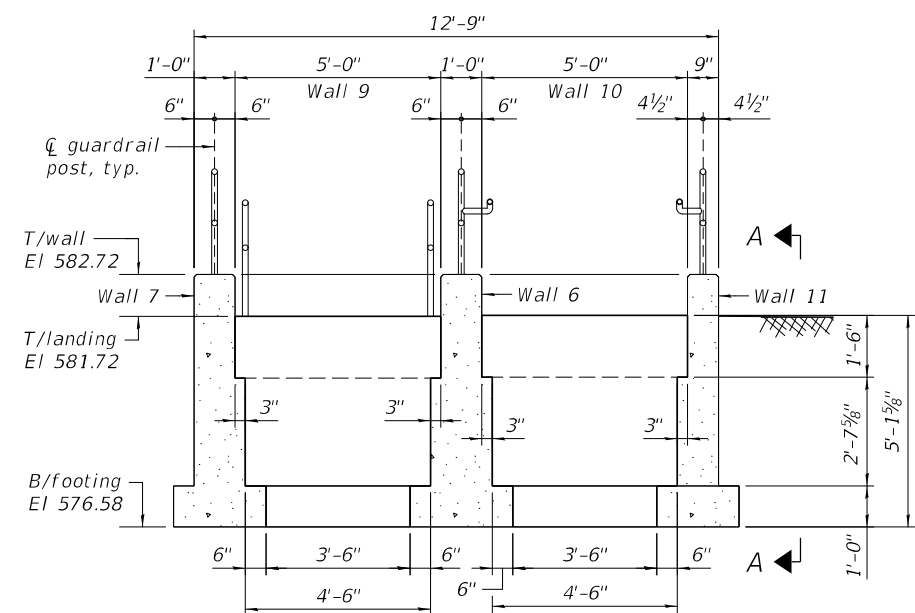
USER NAME = DBIakaj	DESIGNED - JM	REVISED -
PLOT SCALE = 30:0.000 1/4" = 1'-0"	CHECKED - AS	REVISED -
PLOT DATE = 3/1/2023	DRAWN - JM/AMV	REVISED -
	CHECKED - PAH	REVISED -

STATE OF ILLINOIS
DEPARTMENT OF TRANSPORTATION

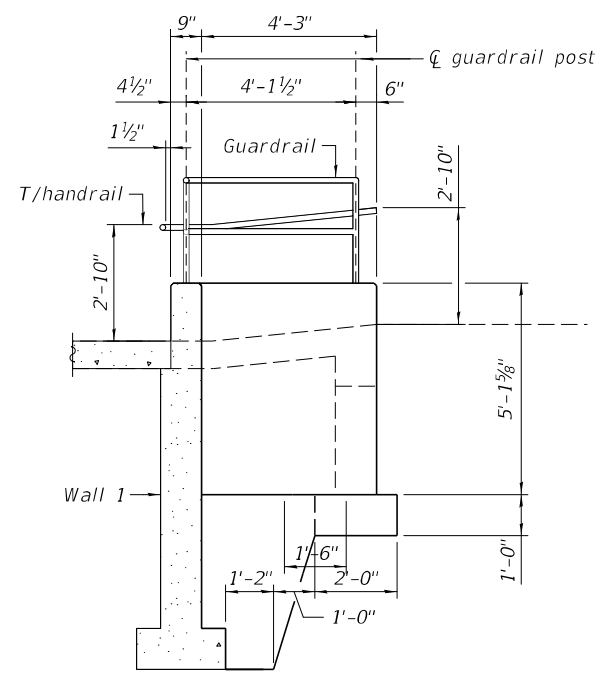
WALL 8 ELEVATION & BILL OF MATERIAL
HANLEY STAIR AND RAMP

SHEET S-14 OF 17 SHEETS

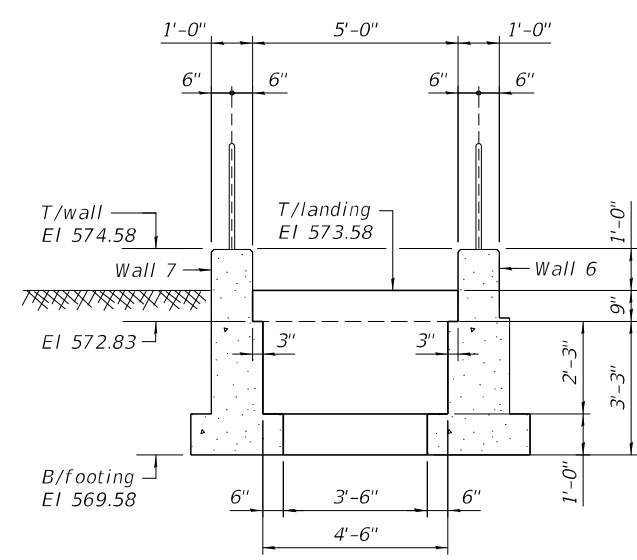
F.A.P. RTE.	SECTION	COUNTY	TOTAL SHEETS	SHEET NO.
663	HANLEY PARKING 2023	SANGAMON	90	76
CONTRACT NO. 72403				
ILLINOIS FED. AID PROJECT				



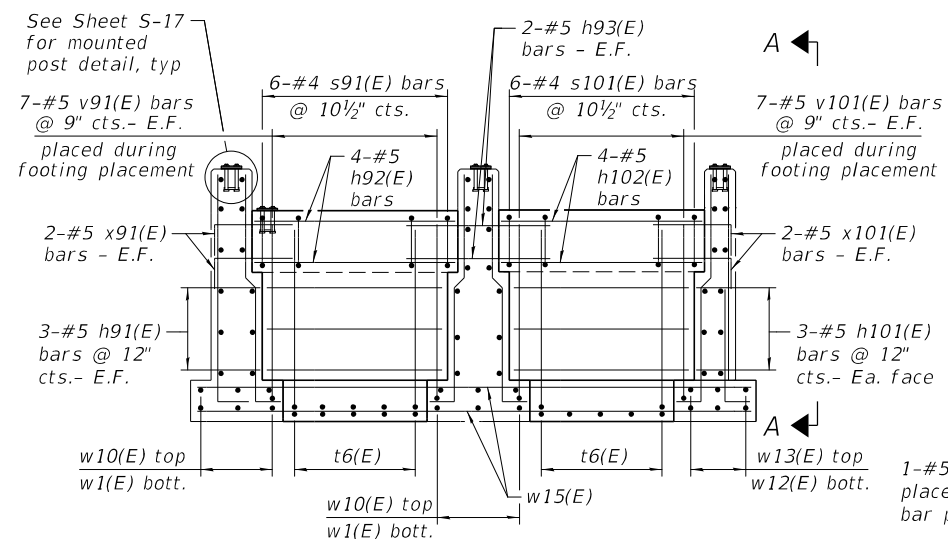
WALLS 9 & 10 - ELEVATION
SHOWING DIMENSIONS
 (Looking North)



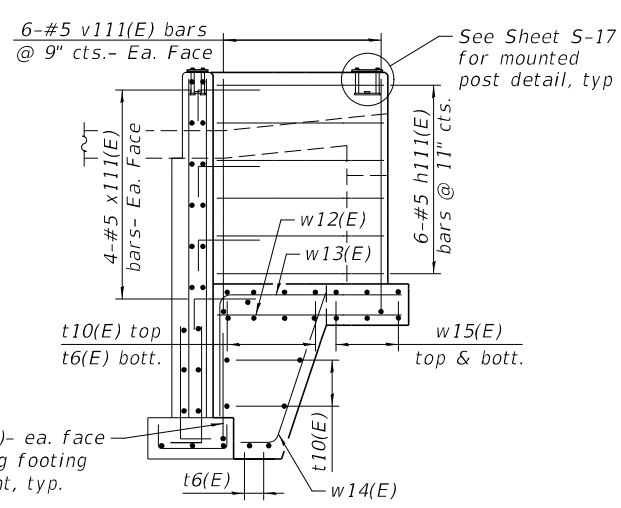
WALL 11 - VIEW A-A
SHOWING DIMENSIONS
 (Looking West)



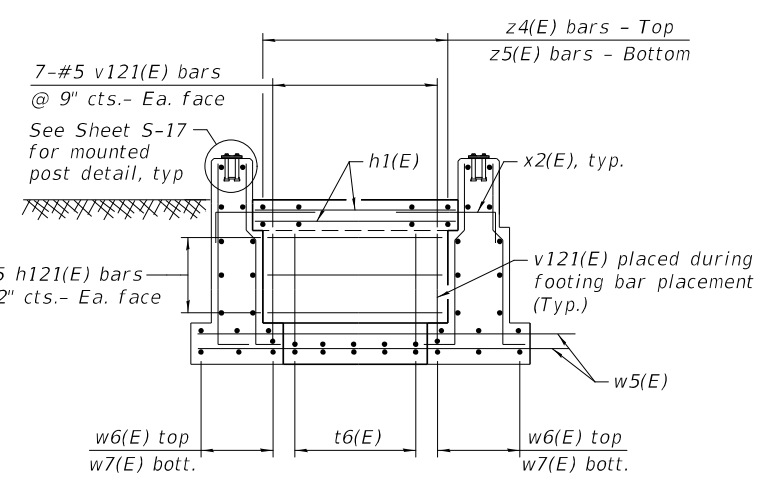
WALL 12 - ELEVATION
SHOWING DIMENSIONS
 (Looking North)



WALLS 9 & 10 - ELEVATION
SHOWING REINFORCEMENT
 (Looking North)



WALL 11 - VIEW A-A
SHOWING REINFORCEMENT
 (Looking West)

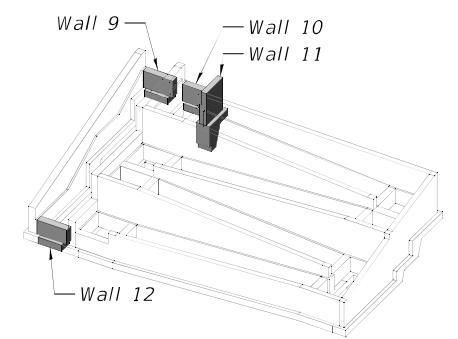


WALL 12 - ELEVATION
SHOWING REINFORCEMENT
 (Looking North)

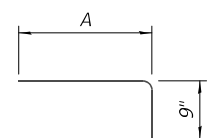
BILL OF MATERIAL

Bar	No.	Size	Length	Shape
h91(E)	6	#5	4'-4"	—
h92(E)	4	#5	4'-10"	—
h93(E)	4	#5	3'-6"	—
h101(E)	6	#5	4'-4"	—
h102(E)	4	#5	4'-10"	—
h111(E)	12	#5	4'-1"	—
h121(E)	6	#5	4'-4"	—
n111(E)	2	#5	3'-10"	—
s91(E)	6	#4	4'-3"	□
s101(E)	6	#4	4'-3"	□
v91(E)	14	#5	5'-4"	—
v101(E)	14	#5	5'-4"	—
v111(E)	12	#5	6'-4"	—
v121(E)	14	#5	3'-6"	—
x91(E)	4	#5	3'-6"	—
x101(E)	4	#5	3'-6"	—
x111(E)	8	#5	3'-6"	—
x121(E)	4	#5	3'-6"	—
* Concrete Structures		Cu Yd	2.2	
Reinforcement Bars, Epoxy Coated		Pound	590	
Concrete Sealer		Sq Ft	27	

* Quantity for wall only, see Sheet S-4 for Foundation quantities.

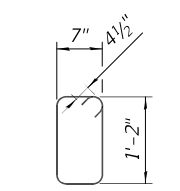


KEY MAP



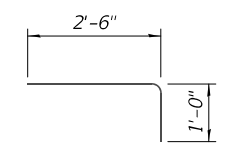
A DIMENSION

Bar	A
n111(E)	3'-1"
v91(E)	4'-7"
v101(E)	4'-7"
v111(E)	5'-7"
v121(E)	2'-9"



BARS s91(E) & s101(E)

BARS n111(E), v91(E), v101(E), v111(E) & v121(E)



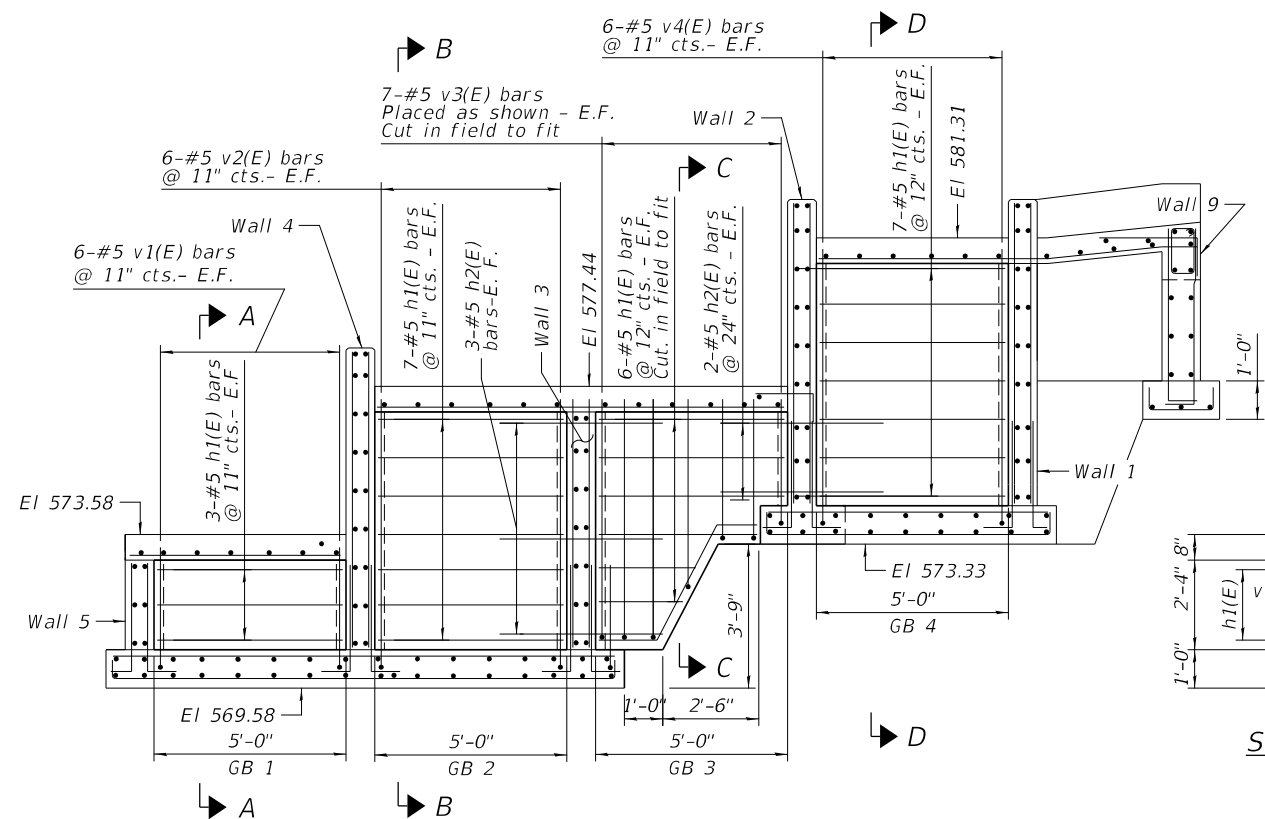
BARS x91(E), x101(E), x111(E) & x121(E)

NOTES

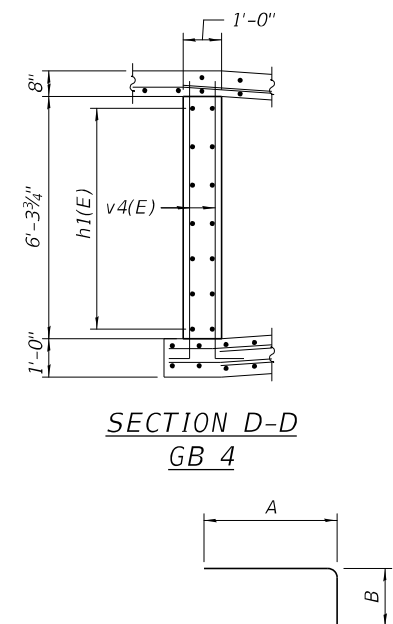
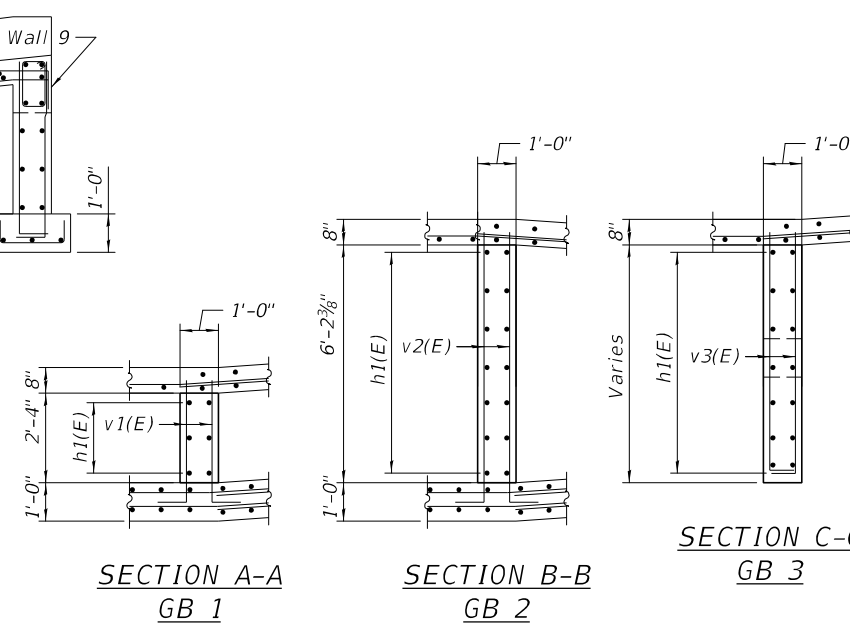
- See Sheets S-3 and S-4 for ramp slab and footing reinforcement details.
- See Sheet S-6 for placement and locations of bent bars x(E) and x1(E).
- n11(E), v91(E), v101(E), v111(E) & v121(E) bars are to be installed during foundation construction.

**GRADE BEAMS
BILL OF MATERIAL**

Bar	No.	Size	Length	Shape	
h1(E)	76	#5	4'-10"	—	
h2(E)	18	#5	4'-3"	—	
n1(E)	2	#5	3'-10"	—	
v1(E)	50	#5	4'-1"	—	
v2(E)	12	#5	7'-11"	—	
v3(E)	28	#5	7'-0"	—	
v4(E)	12	#5	8'-1"	—	
x6(E)	2	#5	3'-6"	—	
z6(E)	4	#5	5'-10"	—	
Concrete Structures				Cu Yd	5.4
Reinforcement Bars, Epoxy Coated				Pound	1,130
Concrete Sealer				Sq Ft	126

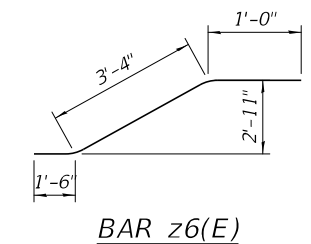


**GRADE BEAMS 1 THRU 4 - ELEVATION
SHOWING REINFORCEMENT**
(Looking West)

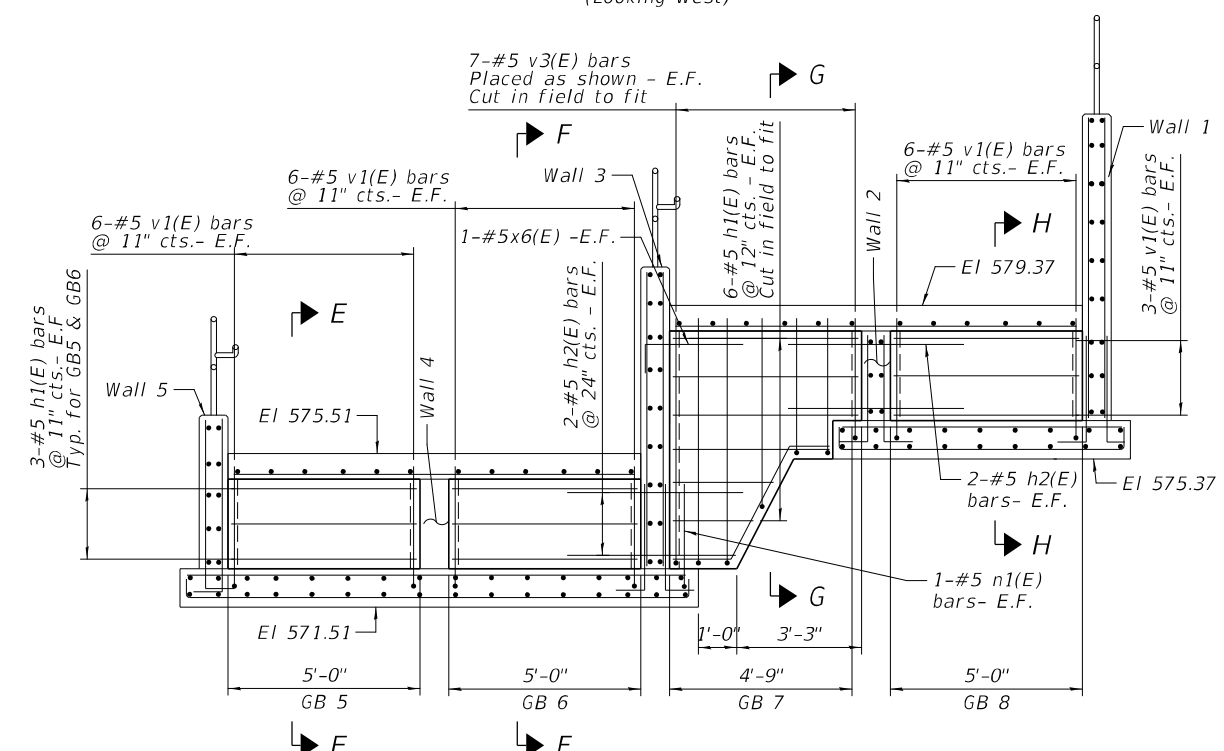


Bar	A	B
n1(E)	3'-1"	9"
v1(E)	3'-4"	9"
v2(E)	7'-2"	9"
v3(E)	6'-3"	9"
v4(E)	7'-4"	9"
x6(E)	2'-6"	1'-0"

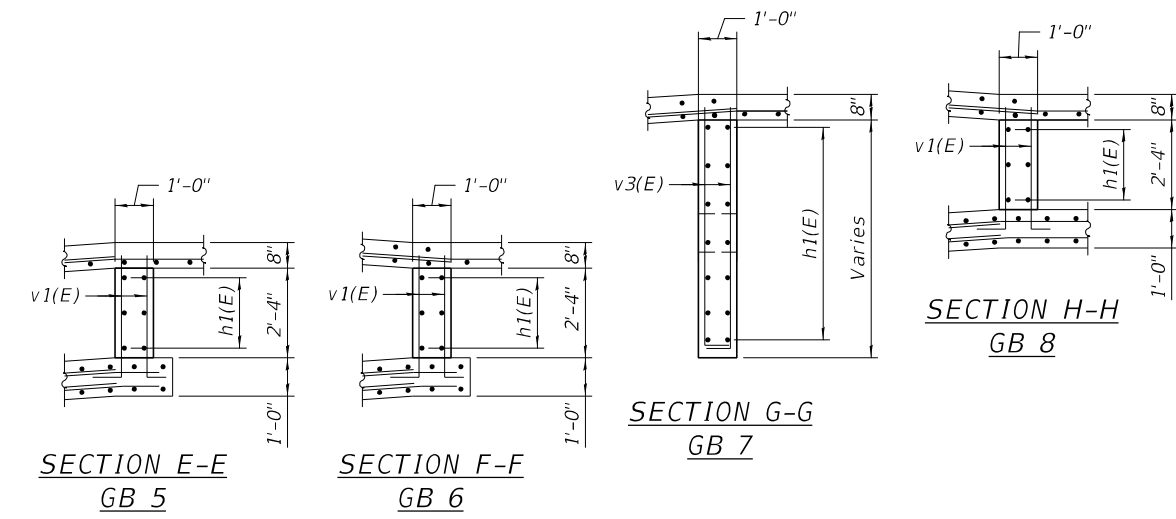
**BARS n1(E), v1(E), v2(E),
v3(E) v4(E) & x6(E)**



BAR z6(E)



**GRADE BEAMS 5 THRU 8 - ELEVATION
SHOWING REINFORCEMENT**
(Looking West)



NOTES

- See Sheet S-4 Foundation Plan for footing reinforcement quantities.
- Bars n1(E), v1(E), v2(E) and v4(E) are to be installed during foundation construction.
- Work this sheet with sheets S-5 & S-6.

MODEL: Sheet
FILE NAME: P:\Rm03120\WO-06\Design\DWG\Structural\CADD_Sheets\S-16_Grade_Beam_Elev_01.dgn



USER NAME = DBIakaj
DESIGNED - JM
CHECKED - AS
PLOT SCALE = 30:0.000 " = 1' / ft.
PLOT DATE = 3/1/2023

DESIGNED - JM
CHECKED - AS
DRAWN - JM/AMV
CHECKED - PAH

REVISED -
REVISED -
REVISED -
REVISED -

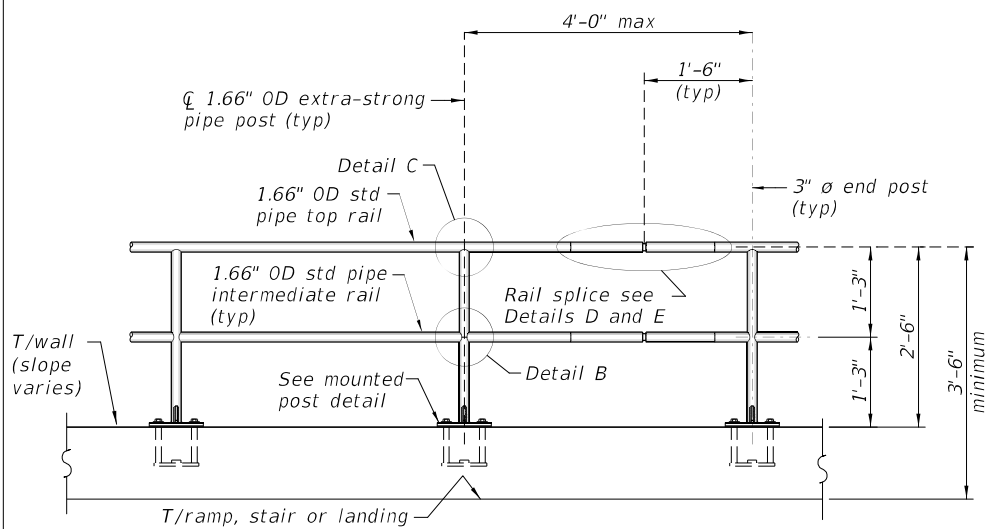
**STATE OF ILLINOIS
DEPARTMENT OF TRANSPORTATION**

**GRADE BEAMS 1-8 ELEVATIONS & BILL OF MATERIAL
HANLEY STAIR AND RAMP**

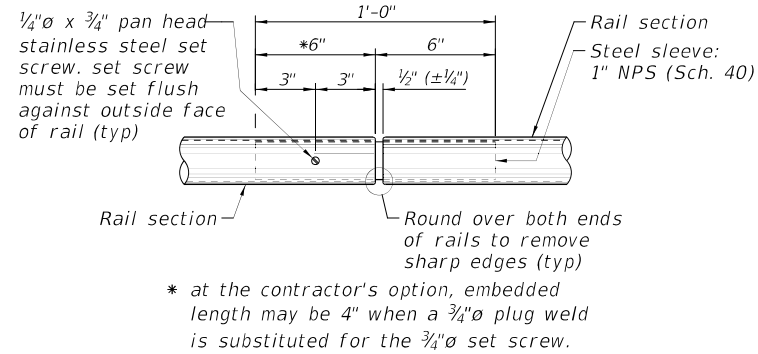
SHEET S-16 OF 17 SHEETS

F.A.P. RTE.	SECTION	COUNTY	TOTAL SHEETS	SHEET NO.
663	HANLEY PARKING 2023	SANGAMON	90	78
CONTRACT NO. 72403				

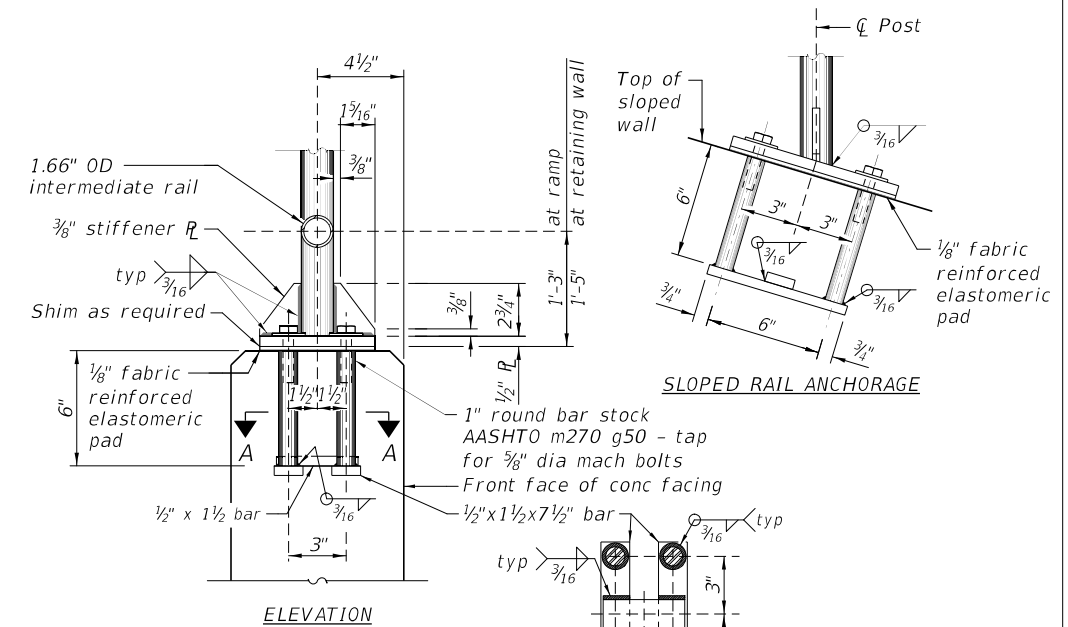
ILLINOIS FED. AID PROJECT



PARTIAL ELEVATION AT RAMP/STAIR GUARDRAIL (PEDESTRIAN RAILING)
 (Railing shall be according to Section 509 of the Standard Specifications)

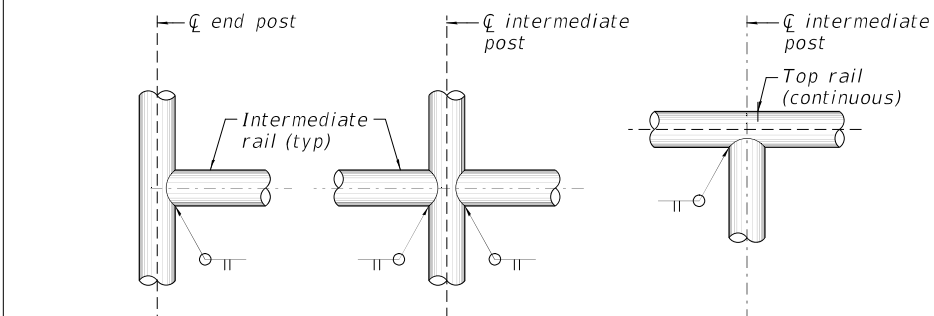


DETAIL D - HANDRAIL SPLICE CONNECTION AT EXPANSION JOINT

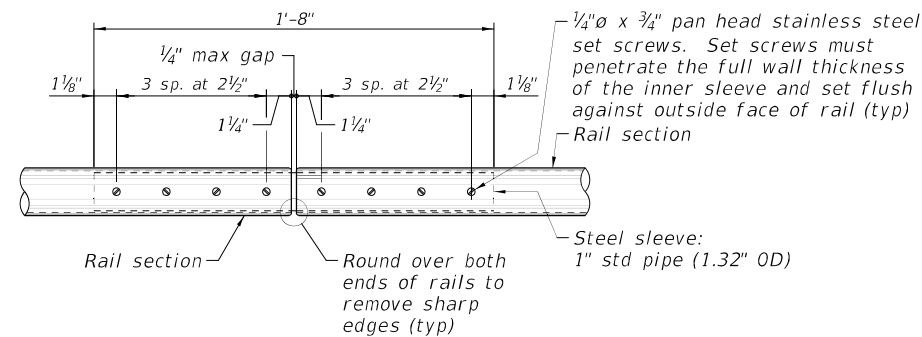


DETAIL - MOUNTED POST

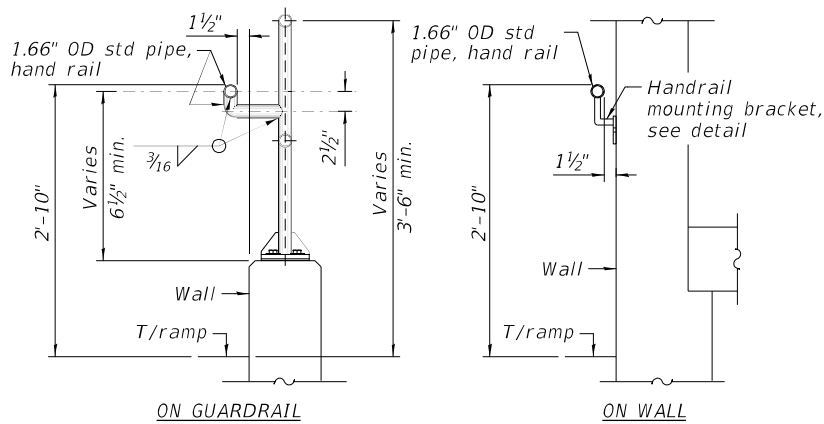
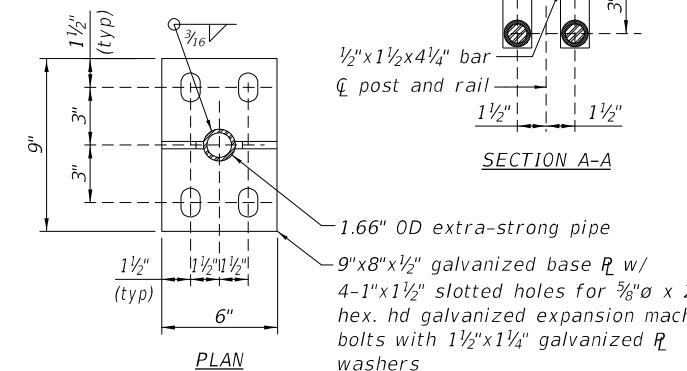
In lieu of the cast-in-place anchor device shown, the contractor has the option of drilling and setting 3/8\"/>



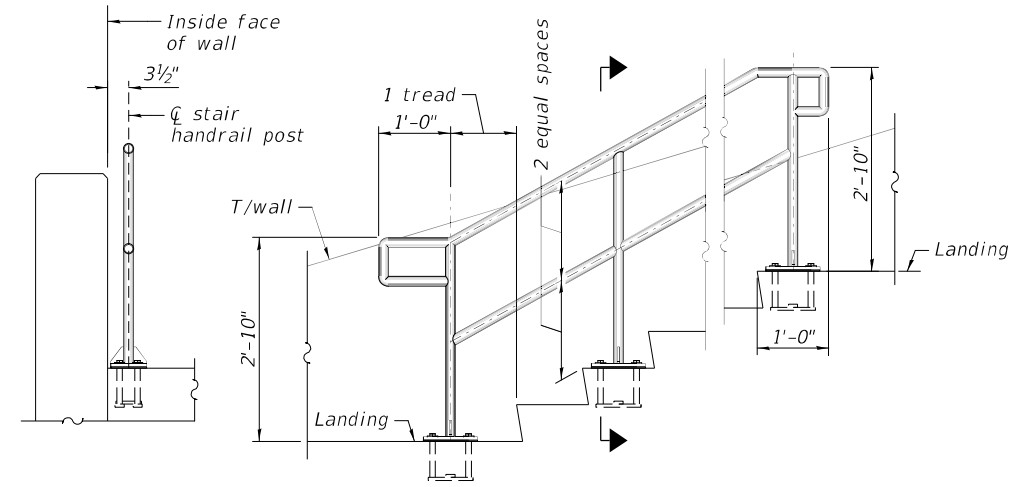
DETAIL A DETAIL B DETAIL C



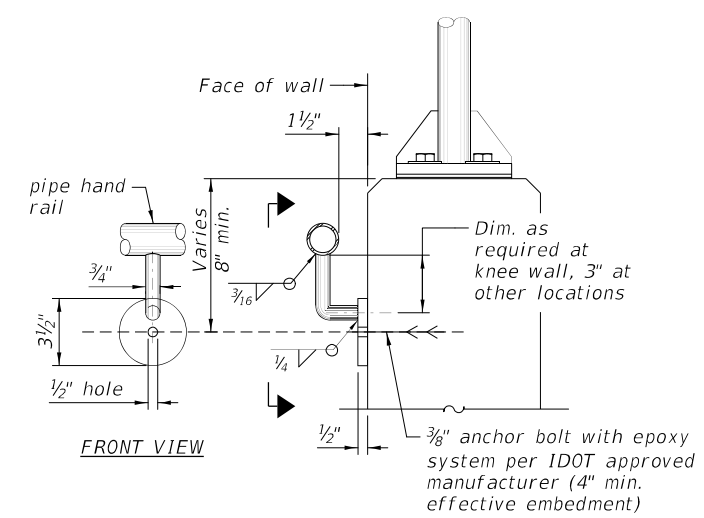
DETAIL E - HANDRAIL SPLICE CONNECTION



RAMP HANDRAIL DETAILS



STAIR HANDRAIL DETAIL
 Wall guardrail not shown for clarity



WALL MOUNTED HANDRAIL BRACKET DETAILS

BILL OF MATERIAL

Item	Unit	Quantity
Pipe Handrail	Foot	296
Pedestrian Railing (Guardrail)	Foot	254

RME Rubinos & Mesia Engineers, Inc.
 200 S. Michigan Avenue, Suite 1500, Chicago, IL 60604-2482

USER NAME = DBIakaj	DESIGNED - JM	REVISED -
PLOT SCALE = 1/2" = 12'-0" / ft.	CHECKED - AS	REVISED -
PLOT DATE = 3/1/2023	DRAWN - JM/AMV	REVISED -
	CHECKED - PAH	REVISED -

STATE OF ILLINOIS
DEPARTMENT OF TRANSPORTATION

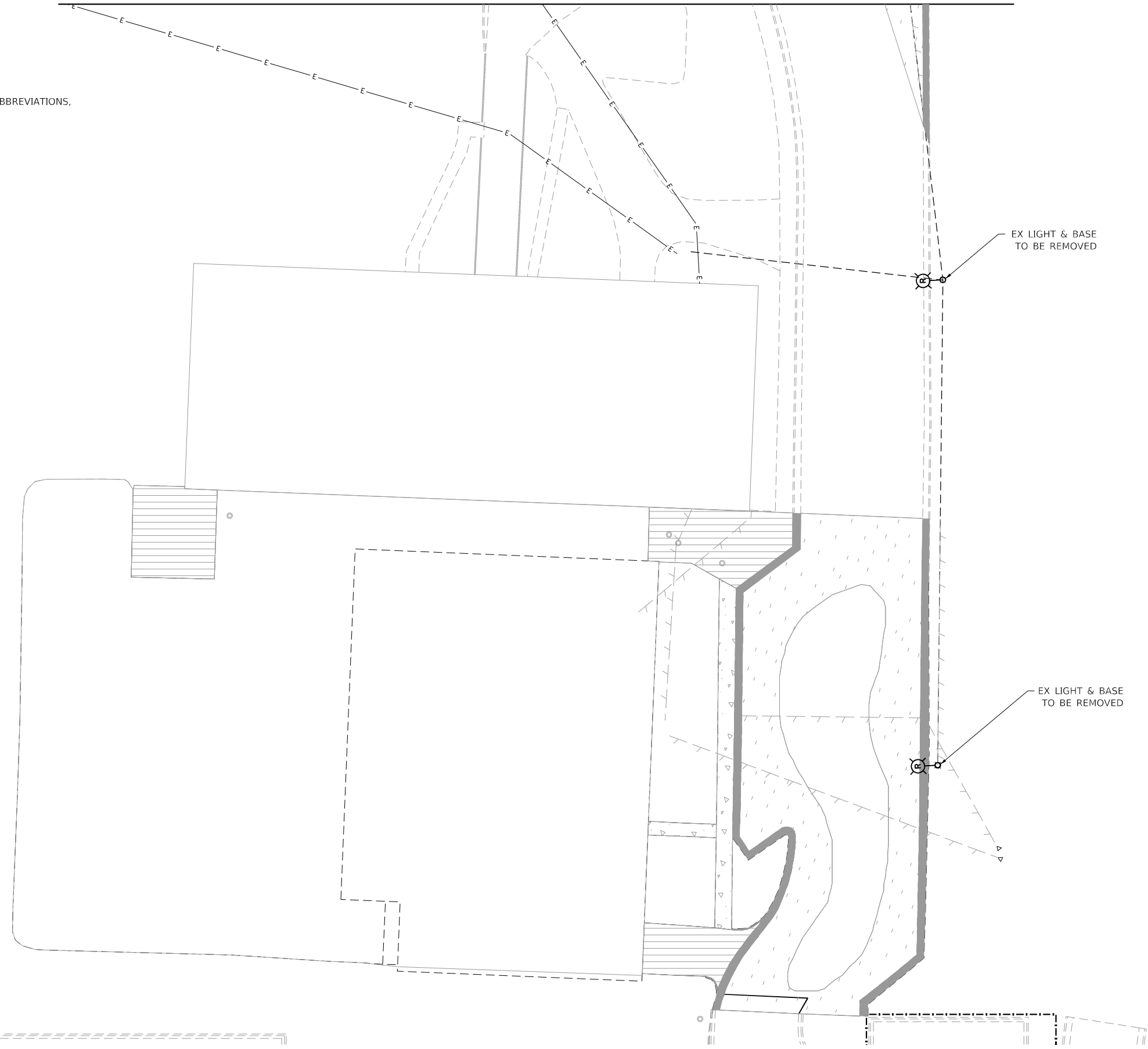
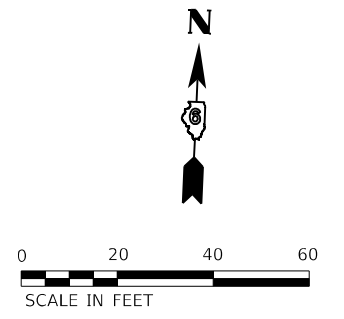
RAILING DETAILS & BILL OF MATERIAL
HANLEY STAIR AND RAMP

F.A.P. RTE. 663	SECTION HANLEY PARKING 2023	COUNTY SANGAMON	TOTAL SHEETS 90	SHEET NO. 79
CONTRACT NO. 72403				
ILLINOIS FED. AID PROJECT				

MATCHLINE A-A

NOTES:

- SEE SHEET LT-01 FOR LEGEND, ABBREVIATIONS, AND GENERAL NOTES.



EX LIGHT & BASE
TO BE REMOVED

EX LIGHT & BASE
TO BE REMOVED

MODEL: D:\draft\... FILE NAME: \\eg1\project\2013\2014_CADD_03\CADD_Sheets\1\0672402-sh-light-02.dgn

LT-02



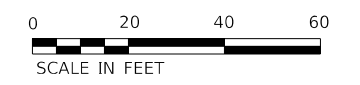
USER NAME = vgurskas	DESIGNED - VG	REVISED -
	DRAWN - VG	REVISED -
PLOT SCALE = 20.0000 ' / in.	CHECKED - RP	REVISED -
PLOT DATE = 2/24/2023	DATE - 02/22/2023	REVISED -

STATE OF ILLINOIS
DEPARTMENT OF TRANSPORTATION

EXISTING LIGHTING REMOVAL PLAN

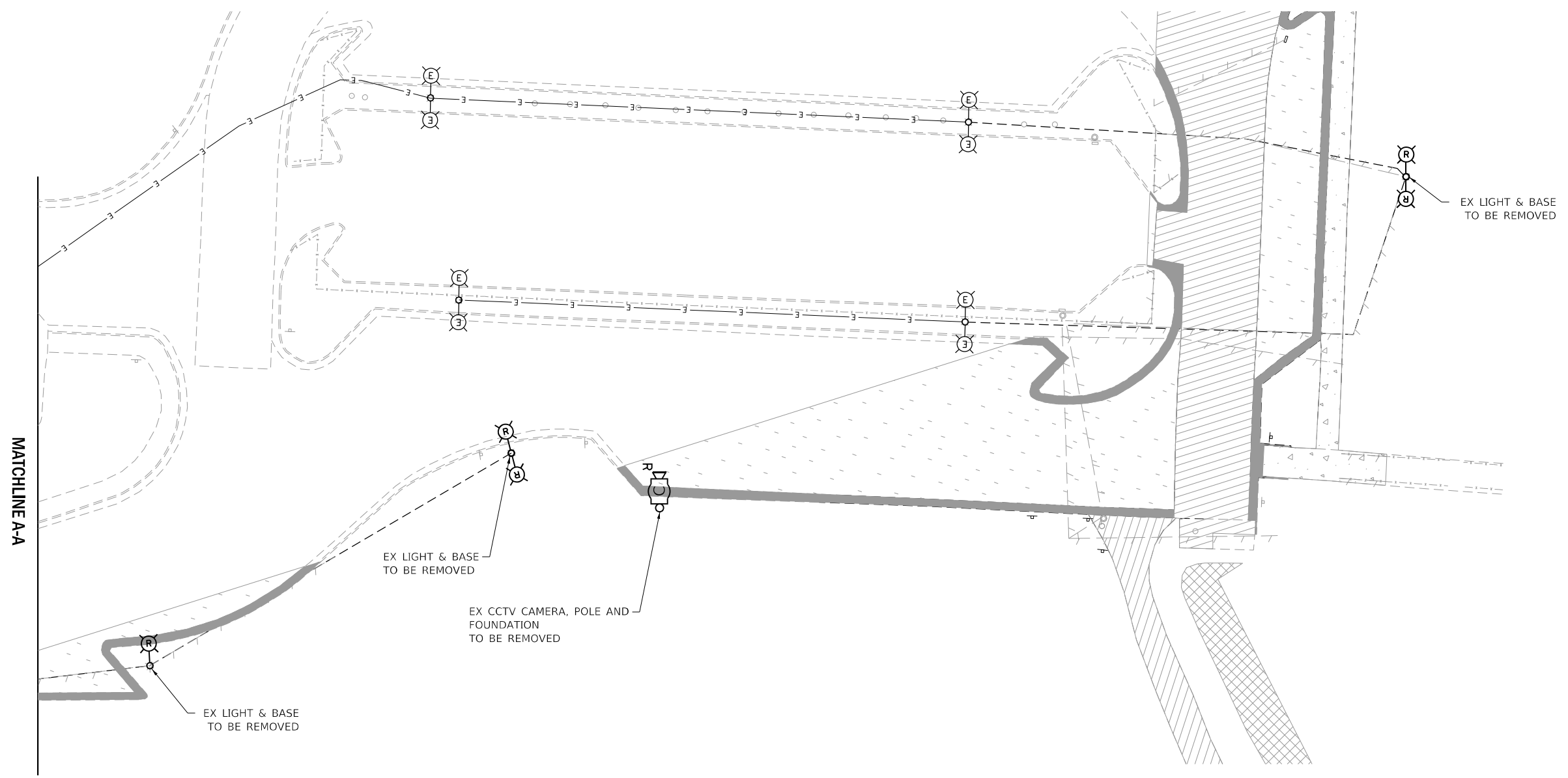
SCALE: SHEET OF SHEETS STA. TO STA.

F.A.P. RTE.	SECTION	COUNTY	TOTAL SHEETS	SHEET NO.
663	HANLEY PARKING 2022-1	SANGAMON	90	81
CONTRACT NO. 72402				
ILLINOIS FED. AID PROJECT				



NOTES:

1. SEE SHEET LT-01 FOR LEGEND, ABBREVIATIONS, AND GENERAL NOTES.



MODEL: D:\draft\...
 FILE NAME: \\eg1\projects\2013\904_CADD_03\CADD_Sheets\0672402-rlt-light-03.dgn



USER NAME = vgurskas	DESIGNED - VG	REVISED -
DRAWN - VG	DRAWN - VG	REVISED -
PLOT SCALE = 20,0000 ' / in.	CHECKED - RP	REVISED -
PLOT DATE = 2/24/2023	DATE - 02/22/2023	REVISED -

**STATE OF ILLINOIS
DEPARTMENT OF TRANSPORTATION**

EXISTING LIGHTING REMOVAL PLAN

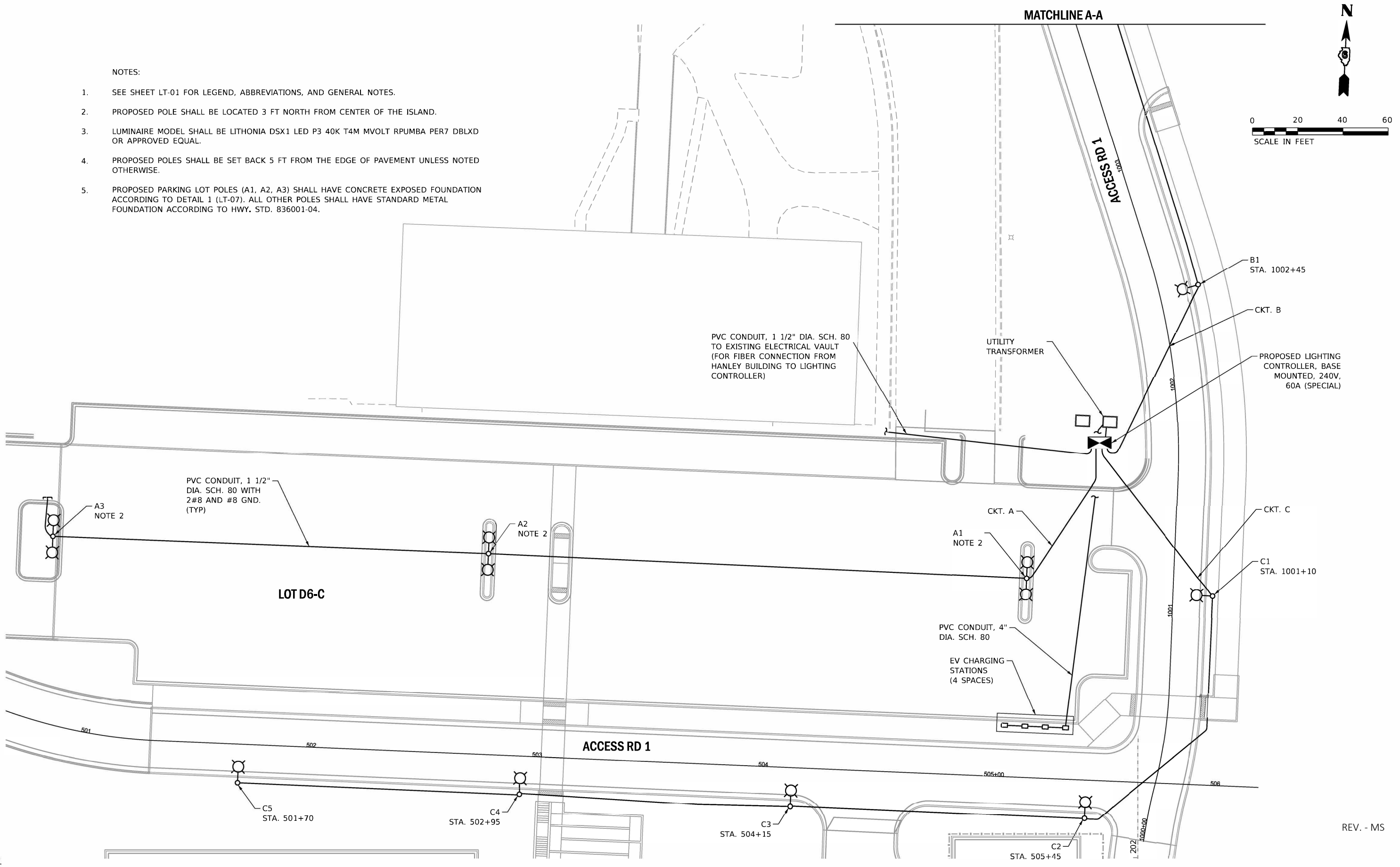
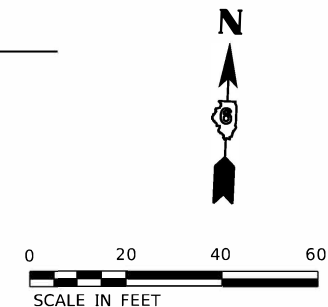
SCALE: SHEET OF SHEETS STA. TO STA.

F.A.P. RTE.	SECTION	COUNTY	TOTAL SHEETS	SHEET NO.
663	HANLEY PARKING 2022-1	SANGAMON	90	82
CONTRACT NO. 72402				
ILLINOIS FED. AID PROJECT				

LT-03

NOTES:

1. SEE SHEET LT-01 FOR LEGEND, ABBREVIATIONS, AND GENERAL NOTES.
2. PROPOSED POLE SHALL BE LOCATED 3 FT NORTH FROM CENTER OF THE ISLAND.
3. LUMINAIRE MODEL SHALL BE LITHONIA DSX1 LED P3 40K T4M MVOLT RPUMBA PER7 DBLXD OR APPROVED EQUAL.
4. PROPOSED POLES SHALL BE SET BACK 5 FT FROM THE EDGE OF PAVEMENT UNLESS NOTED OTHERWISE.
5. PROPOSED PARKING LOT POLES (A1, A2, A3) SHALL HAVE CONCRETE EXPOSED FOUNDATION ACCORDING TO DETAIL 1 (LT-07). ALL OTHER POLES SHALL HAVE STANDARD METAL FOUNDATION ACCORDING TO HWY. STD. 836001-04.



MODEL: Default
FILE NAME: \\G:\Projects\2023\04_CADD\03\CADD_Sheets\0672402_elec-light-04.dgn

REV. - MS

LT-04



USER NAME = vjgurskas	DESIGNED - VG	REVISED -
DRAWN - VG	REVISIONS -	
PLOT SCALE = 20.0000' / in.	CHECKED - RP	REVISIONS -
PLOT DATE = 2/24/2023	DATE - 02/22/2023	REVISIONS -

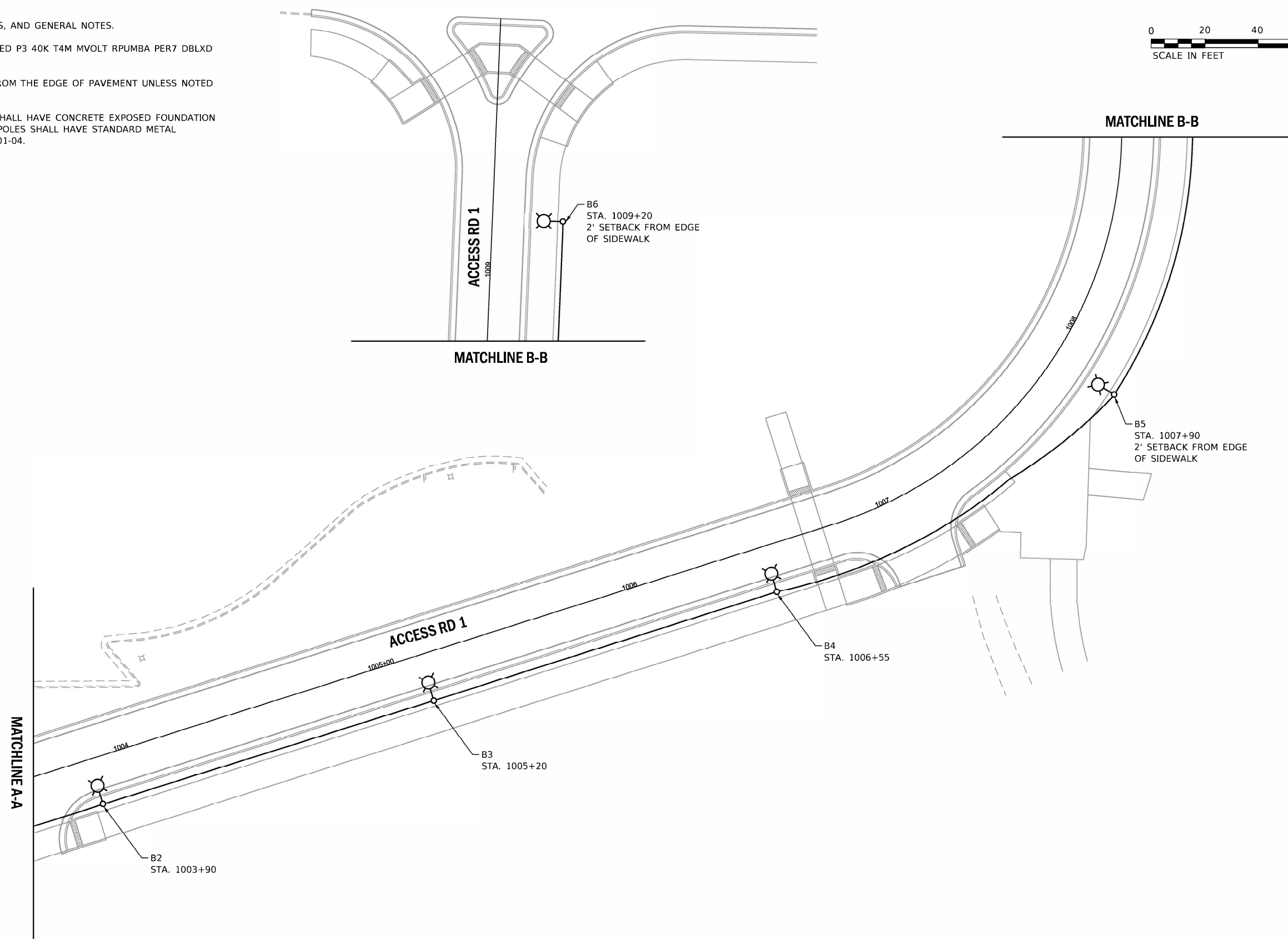
**STATE OF ILLINOIS
DEPARTMENT OF TRANSPORTATION**

PROPOSED LIGHTING PLAN	
SCALE:	SHEET OF SHEETS STA. TO STA.

F.A.P. RTE.	SECTION	COUNTY	TOTAL SHEETS	SHEET NO.
663	HANLEY PARKING 2022-1	SANGAMON	90	83
CONTRACT NO. 72402				
ILLINOIS FED. AID PROJECT				

NOTES:

1. SEE SHEET LT-01 FOR LEGEND, ABBREVIATIONS, AND GENERAL NOTES.
2. LUMINAIRE MODEL SHALL BE LITHONIA DSX1 LED P3 40K T4M MVOLT RPUMBA PER7 DBLXD OR APPROVED EQUAL.
3. PROPOSED POLES SHALL BE SET BACK 5 FT FROM THE EDGE OF PAVEMENT UNLESS NOTED OTHERWISE.
4. PROPOSED PARKING LOT POLES (A1, A2, A3) SHALL HAVE CONCRETE EXPOSED FOUNDATION ACCORDING TO DETAIL 1 (LT-07). ALL OTHER POLES SHALL HAVE STANDARD METAL FOUNDATION ACCORDING TO HWY. STD. 836001-04.



REV. - MS

LT-05

MODEL: Default
FILE NAME: W:\Projects\2013\904_CADD\03\CADD_Sheets\0672402_sht-light-05.dgn



USER NAME = vgerskas	DESIGNED - VG	REVISED -
	DRAWN - VG	REVISED -
PLOT SCALE = 20.0000' / in.	CHECKED - RP	REVISED -
PLOT DATE = 2/24/2023	DATE - 02/22/2023	REVISED -

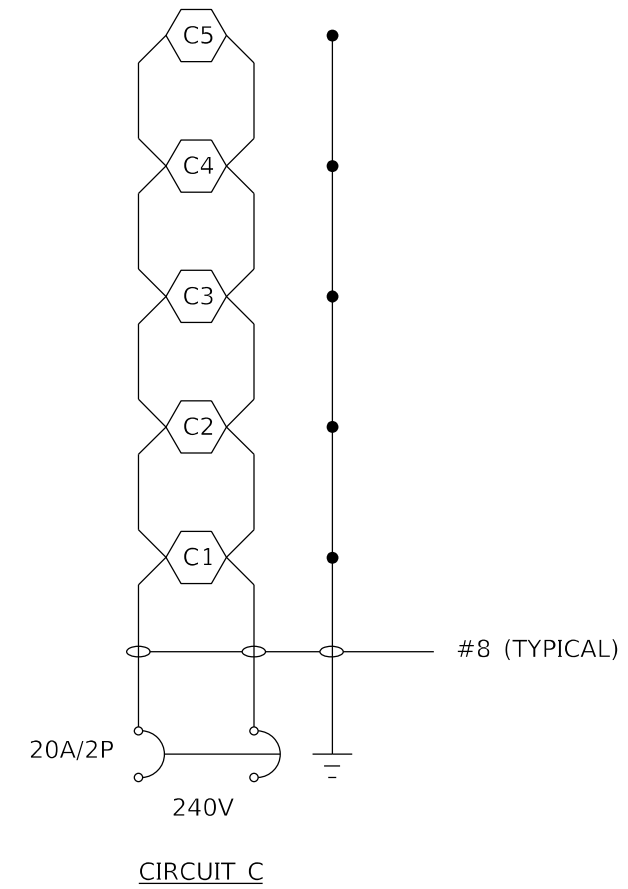
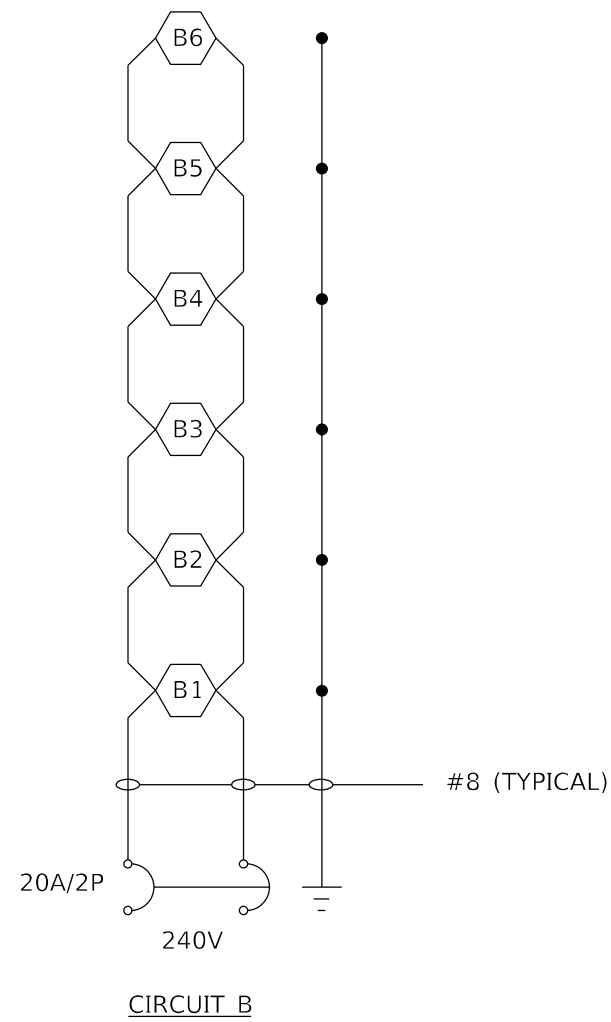
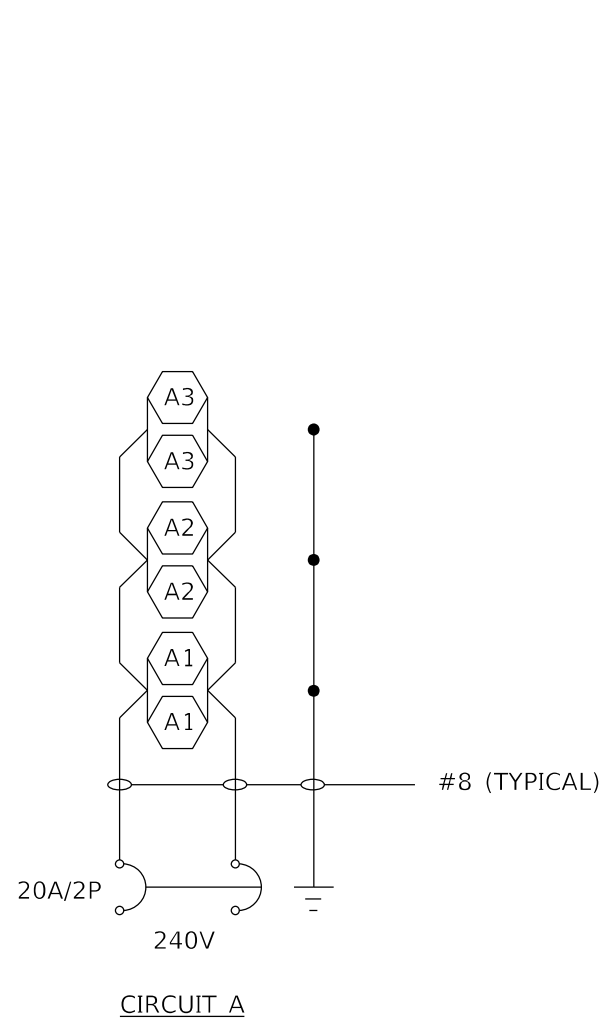
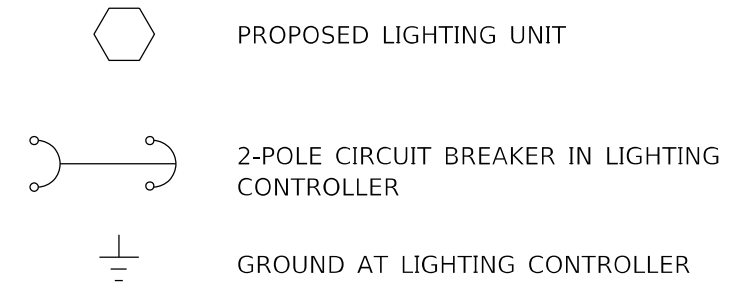
STATE OF ILLINOIS
DEPARTMENT OF TRANSPORTATION

PROPOSED LIGHTING PLAN

SCALE: SHEET OF SHEETS STA. TO STA.

F.A.P. RTE.	SECTION	COUNTY	TOTAL SHEETS	SHEET NO.
663	HANLEY PARKING 2022-1	SANGAMON	90	84
ILLINOIS FED. AID PROJECT			CONTRACT NO. 72402	

LEGEND



MODEL: D:\draft\... FILE NAME: \leg\1\project\2023\04_CADD_03\CADD_Sheets\0672402-2ht-light-06.dgn



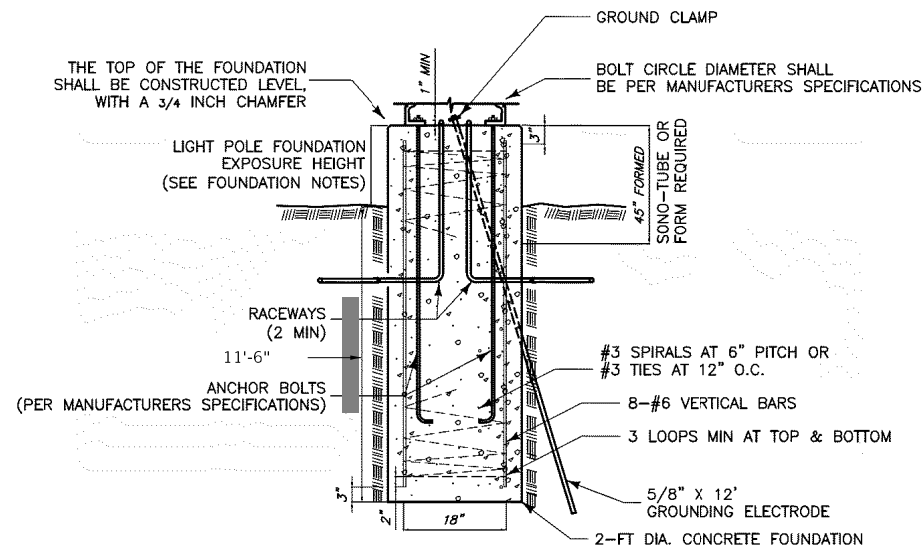
USER NAME = vjgurskas	DESIGNED - VG	REVISED -
	DRAWN - VG	REVISED -
PLOT SCALE = 20.0000 ' / in.	CHECKED - RP	REVISED -
PLOT DATE = 2/24/2023	DATE - 02/22/2023	REVISED -

STATE OF ILLINOIS
DEPARTMENT OF TRANSPORTATION

WIRING DIAGRAMS

SCALE: SHEET OF SHEETS STA. TO STA.

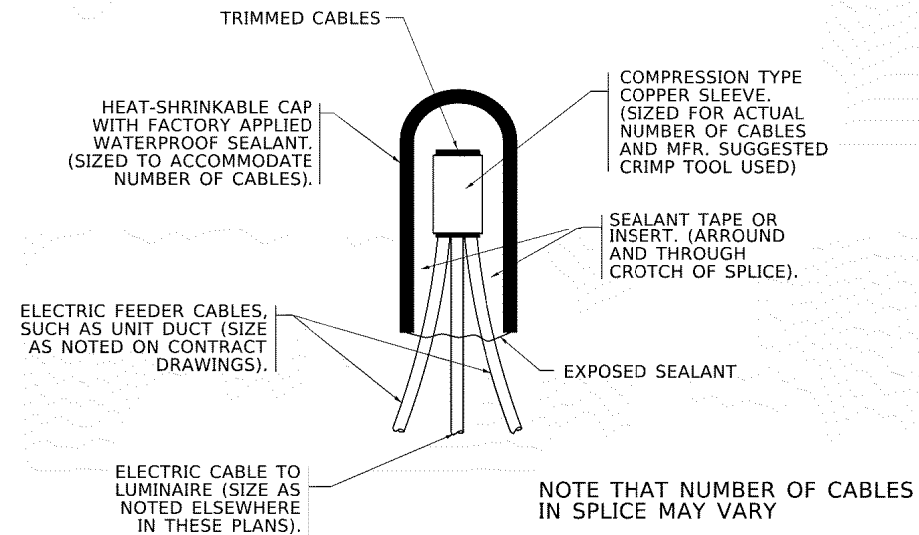
F.A.P. RTE.	SECTION	COUNTY	TOTAL SHEETS	SHEET NO.
663	HANLEY PARKING 2022-1	SANGAMON	90	85
CONTRACT NO. 72402				
ILLINOIS FED. AID PROJECT				



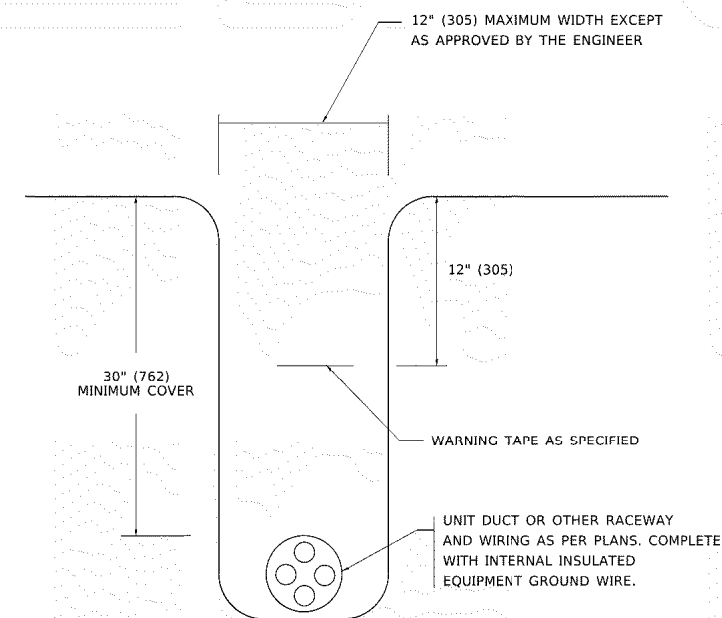
1 LIGHT POLE FOUNDATION DETAIL
NO SCALE

FOUNDATION NOTES:

1. THE BOLT CIRCLE DIAMETER SHALL BE SIZED PER LIGHT POLE MANUFACTURER'S SPECIFICATIONS (4 EA).
2. THE ANCHOR RODS AND RACEWAYS SHALL BE PROPERLY SECURED IN PLACE BEFORE THE CONCRETE IS PLACED.
3. THE LIGHT POLE FOUNDATIONS SHALL BE EXPOSED 30-INCHES ABOVE FINISHED GRADE WITHIN THE PARKING LOT. IF THE FOUNDATION HEIGHT DOES NOT MEET THESE SPECIFICATIONS, THE FOUNDATION SHALL BE REPLACED AT THE CONTRACTOR'S EXPENSE.
4. THE HOLE FOR THE FOUNDATION SHALL BE MADE BY DRILLING WITH AN AUGER, OF THE SAME DIAMETER AS THE FOUNDATION. IF SOIL CONDITIONS REQUIRE THE USE OF A LINER TO FORM THE HOLE, THE LINER SHALL BE WITHDRAWN AS THE CONCRETE IS DEPOSITED.
5. THE TOP OF THE FOUNDATION SHALL BE CONSTRUCTED LEVEL. A LINER OR FORM SHALL BE USED TO PRODUCE A UNIFORM SMOOTH SIDE TO THE TOP OF THE FOUNDATION A MIN. OF 45 IN. FROM THE TOP AND A MAX. OF 50% OF THE TOTAL DEPTH. FOUNDATION TOP SHALL BE CHAMFERED 3/4 -IN.
6. THE EXPOSED PORTION OF THE FOUNDATION SHALL BE HAND FINISHED SMOOTH TO REMOVE ANY LINER FORM MARKS.
7. THE CONCRETE SHALL BE CLASS SI. CONCRETE SHALL CURE FOR A MINIMUM OF 3-7 DAYS ACCORDING TO ARTICLE 1020.13 BEFORE LIGHT POLES ARE INSTALLED.
8. THE ANCHOR ROD SHALL BE A HOOK ROD TYPE. COLD BENDING OF THE ANCHOR ROD WILL NOT BE ALLOWED. THE RADIUS OF THE HOOK BEND SHALL NOT BE LESS THAN 4 TIMES THE NOMINAL DIAMETER OF THE ANCHOR ROD.
9. THE ANCHOR RODS SHALL BE ACCORDING TO ASTM F1554 GRADE 725 (GRADE 105). NUTS SHALL BE HEXAGON NUTS ACCORDING TO ASTM A 194 2H OR ASTM A 563 DH, AND WASHERS SHALL BE ACCORDING TO ASTM F 436.
10. ANCHOR RODS, NUTS AND WASHERS SHALL BE COMPLETELY GALVANIZED BY EITHER THE HOT-DIPPED PROCESS CONFORMING WITH AASHTO M 232, THE MECHANICAL PLATING METHOD CONFORMING TO AASHTO M 298, CLASS 50 WITH A MAXIMUM COATING THICKNESS OF 150 UM OR THE ELECTROLYTIC PROCESS ACCORDING TO ASTM F 1136.
11. THE ANCHOR RODS SHALL BE THREADED A MINIMUM OF 6 INCHES WITH A MINIMUM OF 3 INCHES OF THREADED ANCHOR ROD EMBEDDED IN THE FOUNDATION.
12. ANCHOR RODS SHALL PROJECT 2-3/4 IN. ABOVE THE TOP OF THE FOUNDATION (OR AS SPECIFIED BY THE LIGHT POLE MANUFACTURER).
13. THE CONTRACTOR SHALL USE A #3 SPIRAL AT 6 IN. PITCH OR MAY SUBSTITUTE #3 TIES AT 12 IN. O.C. WITH THE APPROVAL OF THE ENGINEER.
14. THE CABLE TRENCHES AND FOUNDATION SHALL BE BACK FILLED AND COMPACTED AS SPECIFIED BEFORE THE LIGHT POLE IS ERECTED.
15. THE RACEWAYS SHALL PROJECT 1 IN. ABOVE THE TOP OF THE FOUNDATION AND SHALL TERMINATE WITH A GROUNDING BUSHING (AS APPLICABLE).



TYPICAL SPLICE DETAIL
N.T.S.



TYPICAL WIRING IN TRENCH DETAIL
N.T.S.

16. RACEWAYS SHALL BE 3.5" PVC.
17. ALL REINFORCEMENT BARS SHALL BE EPOXY COATED.
18. ALL EQUIPMENT SHALL BE GROUNDED AND BONDED IN ACCORDANCE WITH THE NATIONAL ELECTRICAL CODE AND THE NATIONAL ELECTRICAL SAFETY CODE.

MODEL: D:\light FILE NAME: I:\eg11\project\2013\904_CADD_03\CADD_Sheets\0672402-sh-light-07.dgn



USER NAME = vjgurskas	DESIGNED - VG	REVISED -
PLOT SCALE = 20.0000 ' / in.	DRAWN - VG	REVISED -
PLOT DATE = 2/24/2023	CHECKED - RP	REVISED -
	DATE - 02/22/2023	REVISED -

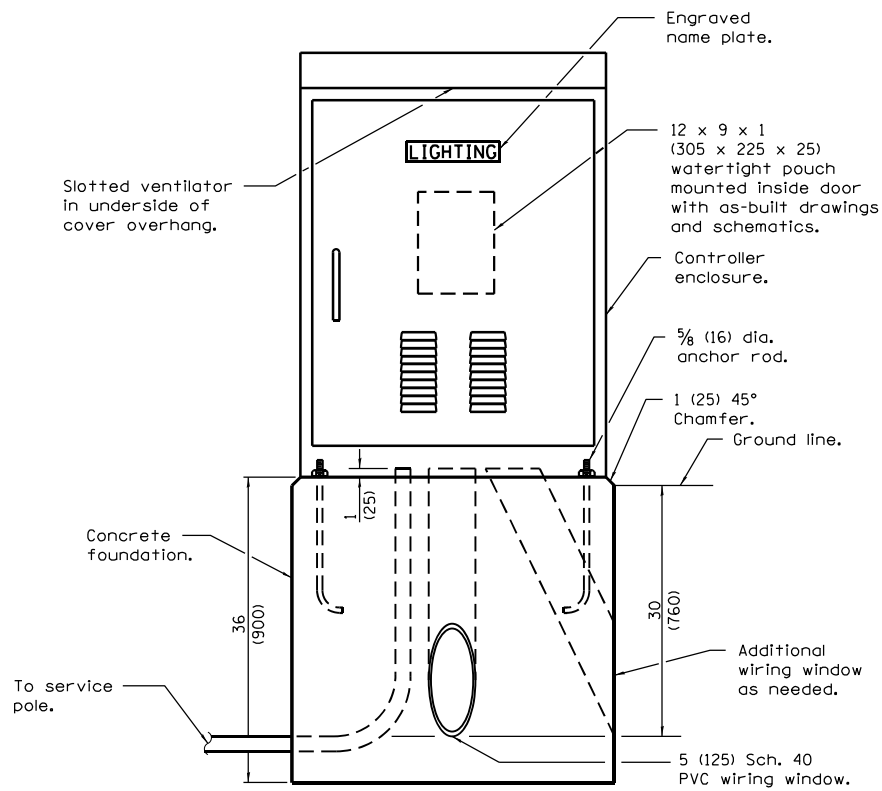
**STATE OF ILLINOIS
DEPARTMENT OF TRANSPORTATION**

LIGHTING DETAILS

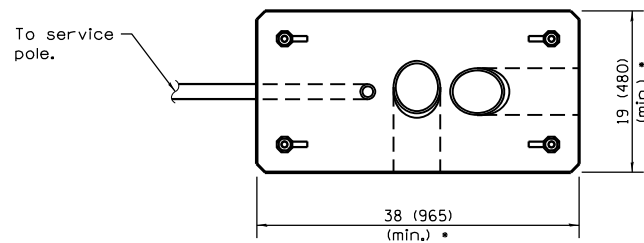
SCALE: SHEET OF SHEETS STA. TO STA.

F.A.P. RTE.	SECTION	COUNTY	TOTAL SHEETS	SHEET NO.
663	HANLEY PARKING 2022-1	SANGAMON	90	86
			CONTRACT NO. 72402	
		ILLINOIS FED. AID PROJECT		

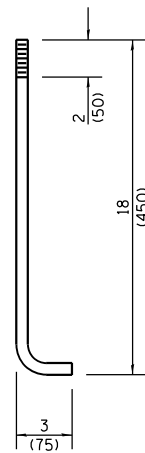
LT-07



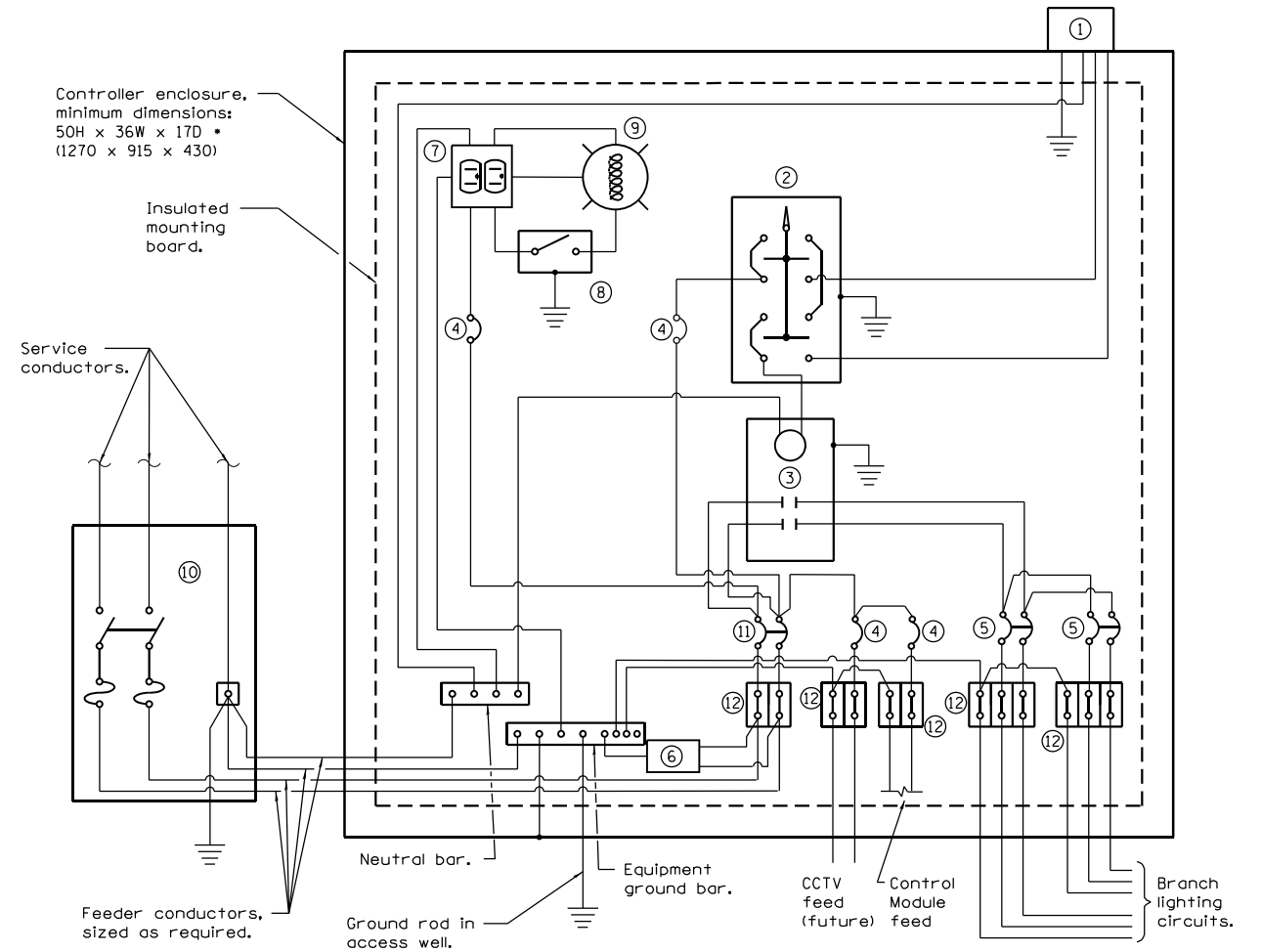
LIGHTING CONTROLLER



FOUNDATION (PLAN)
(Work pad not shown.)



**ANCHOR ROD
DETAIL**



CONTROL SCHEMATIC

- ① Photocell with integral surge arrester.
- ② HAND-OFF-AUTO selector switch.
- ③ 100 amp*, electrically held contactor.
- ④ 15 amp, 1-pole circuit breaker.
- ⑤ 20 amp*, 2-pole circuit breaker (two spares required but not shown).
- ⑥ Surge arrester.
- ⑦ GFCI duplex receptacle.
- ⑧ Single-pole, single-throw switch.
- ⑨ Incandescent luminaire, enclosed and gasketed with 100 watt lamp.
- ⑩ Service disconnect switch - 2-pole, 3-wire, 100 amp*, fused at 100 amp*, solid neutral in NEMA 4X enclosure having lockable external handle.
- ⑪ 100 amp*, 2-pole circuit breaker.
- ⑫ Terminal block sized for conductors as shown on plans.

* Size larger as needed.

All dimensions are in inches (millimeters) unless otherwise shown.

PLOT TIME = 10:46:51 AM
 PLOT DATE = 2/24/2023
 PLOT SCALE = 50' / in.
 FILE NAME = \\fs01\Projects\2013\04_CADD_03\CADD_Sheets\0672402-shr-light-08.dgn
 FILE NAME = \\fs01\Projects\2013\04_CADD_03\CADD_Sheets\0672402-shr-light-08.dgn



USER NAME = vgvskas	DESIGNED - VG	REVISED -
PLOT SCALE = 50' / in.	DRAWN - VG	REVISED -
PLOT DATE = 2/24/2023	CHECKED - RP	REVISED -
	DATE - 02/22/2023	REVISED -

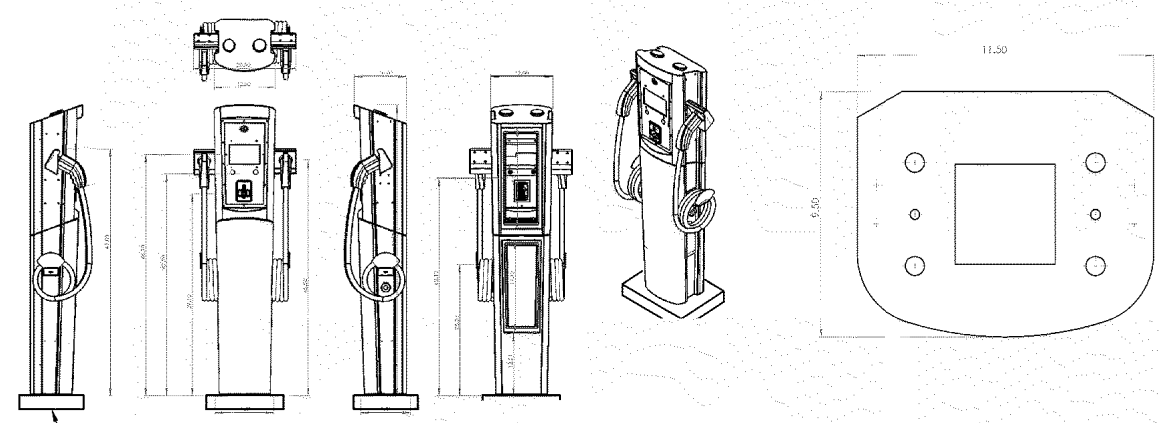
**STATE OF ILLINOIS
DEPARTMENT OF TRANSPORTATION**

CONTROLLER DETAILS

SCALE: SHEET OF SHEETS STA. TO STA.

F.A.P. RTE.	SECTION	COUNTY	TOTAL SHEETS	SHEET NO.
663	HANLEY PARKING 2022-1	SANGAMON	90	87
CONTRACT NO. 72402				
ILLINOIS FED. AID PROJECT				

LT-08



6" CONCRETE PAD (TYP.) ①

DUAL PORT PEDESTAL DETAILS

DETAIL ①

NOT TO SCALE

NOTES:

- ① CONTRACTOR SHALL PROVIDE 6" CONCRETE HOUSE KEEPING PAD FOR PEDESTAL EVCS.

PLOT TIME = 10:46:51 AM
 PLOT DATE = 2/24/2023
 PLOT SCALE = 50' / in.
 FILE NAME = \\fs01\Projects\20139\04_CADD_03\CADD_Sheets\0672402-shr-1-light-09.dgn
 FILE NAME = \\fs01\Projects\20139\04_CADD_03\CADD_Sheets\0672402-shr-light-09.dgn



USER NAME = vgurskas	DESIGNED - VG	REVISED -
	DRAWN - VG	REVISED -
PLOT SCALE = 50' / in.	CHECKED - RP	REVISED -
PLOT DATE = 2/24/2023	DATE - 02/22/2023	REVISED -

STATE OF ILLINOIS
DEPARTMENT OF TRANSPORTATION

ELECTRICAL DETAILS

SCALE: SHEET OF SHEETS STA. TO STA.

F.A.P. RTE.	SECTION	COUNTY	TOTAL SHEETS	SHEET NO.
663	HANLEY PARKING 2022-1	SANGAMON	90	88
CONTRACT NO. 72402				
ILLINOIS			FED. AID PROJECT	

LT-09