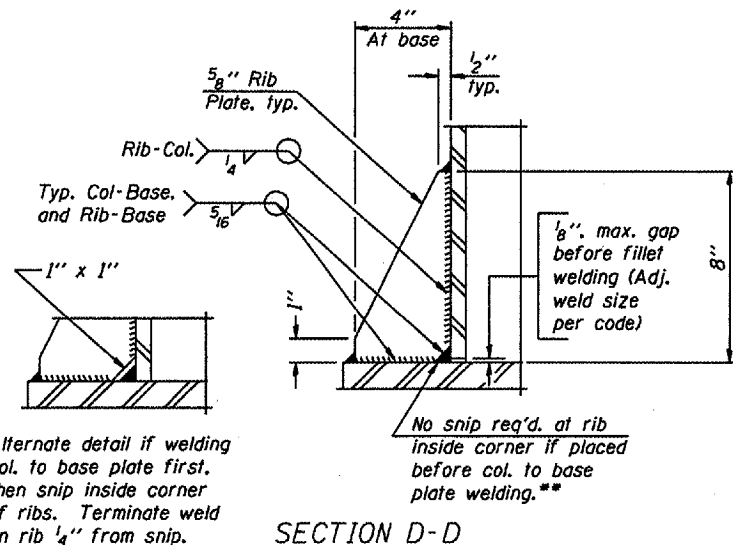
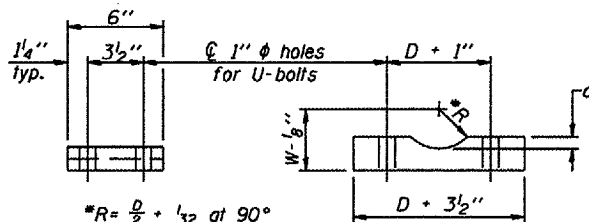


SECTION B-B



SECTION D-D

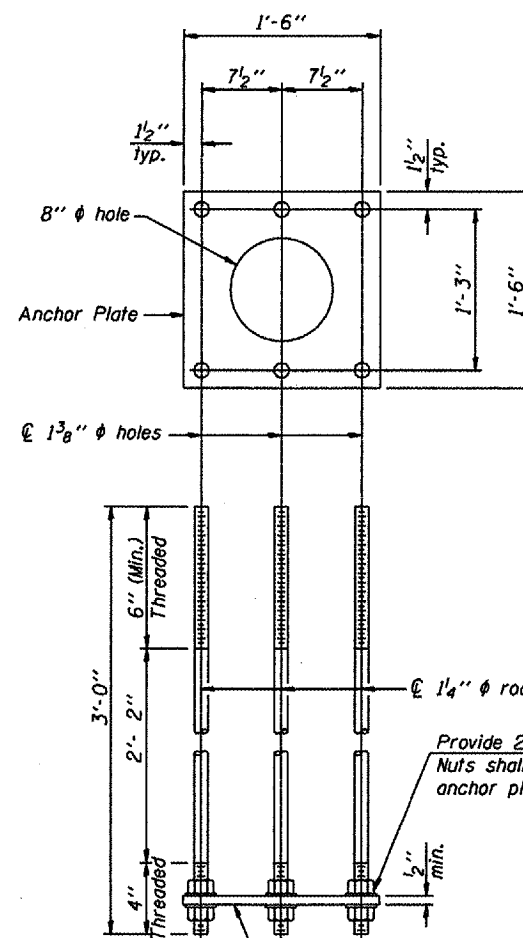
\*\* Alternate detail if welding col. to base plate first, then snip inside corner of ribs. Terminate weld on rib 1/4" from snip.



SADDLE SHIM DETAIL

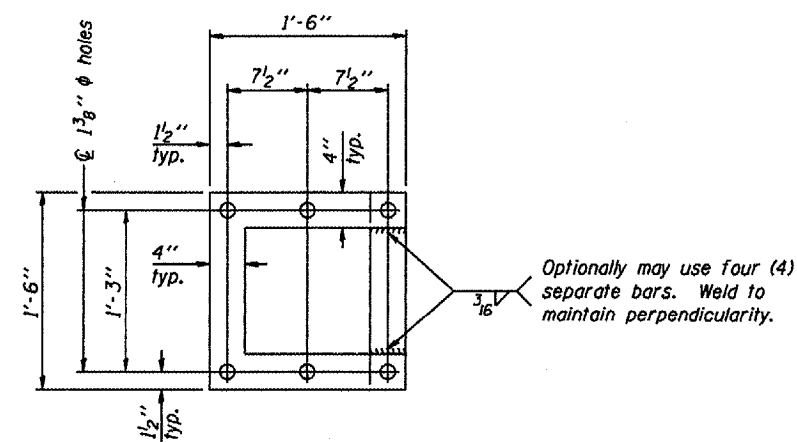
ASTM B26 Alloy 356-F  
or  
ASTM B209 Alloy 6061-T651  
(4 required per sign truss)

Truss Chord Nominal Dia.	$\phi$
5"	3/4"
5 1/2"	13/16"
6"	7/8"
6 1/2"	15/16"
7"	1"



ANCHOR ROD DETAIL  
Spread Footing Foundation

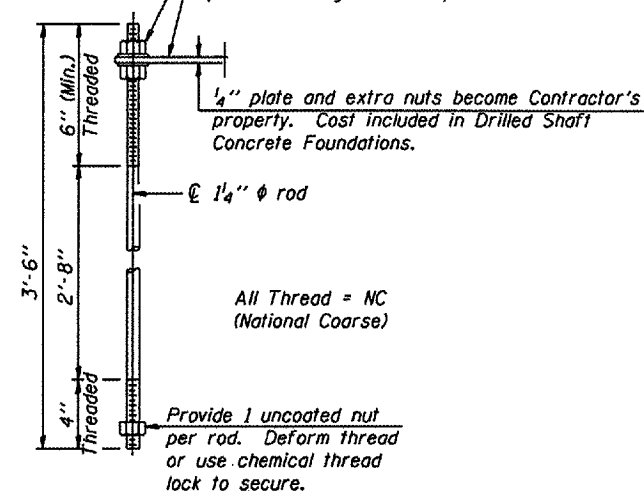
All Thread = NC (National Coarse)



POSITIONING PLATE(S)

At each location, provide 1/4" thick positioning plate(s) and six (6) additional nuts to be used with leveling nuts to maintain anchor bolts position during concrete placement.

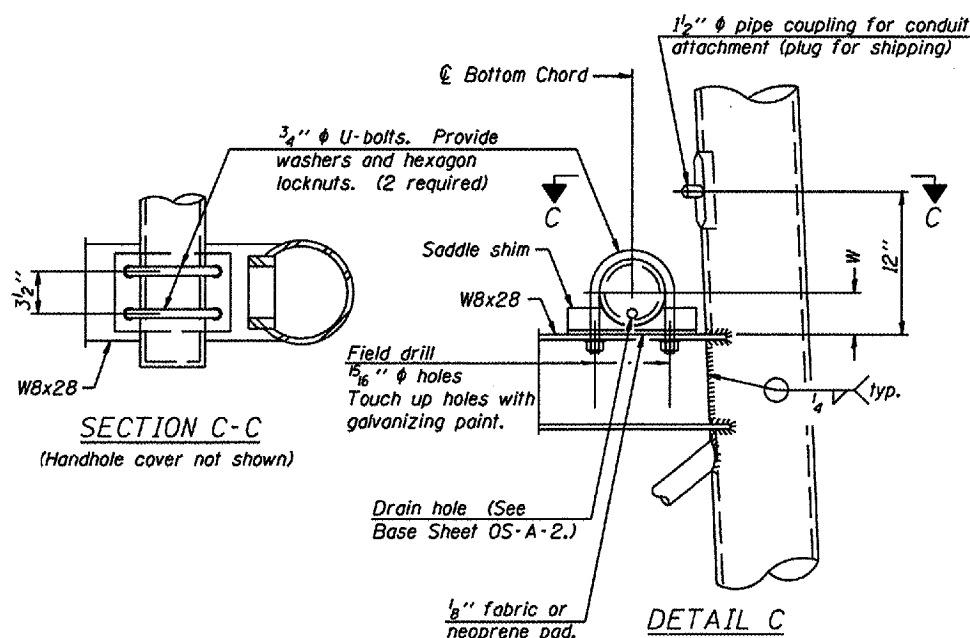
1/4" plate and extra nuts become Contractor's property. Cost included in Drilled Shaft Concrete Foundations.



ANCHOR ROD DETAIL  
Drilled Shaft Foundation

Anchor rods shall conform to AASHTO M314 Grade 36 or 50 and meet Charpy V-Notch (CVN) energy of 15 lb.-ft. at 40° F. Galvanize upper 12" per AASHTO M232. No welding shall be permitted on rods.

10"  $\phi$  PIPE SUPPORT FRAME DETAILS



SECTION C-C

(Handhole cover not shown)

DETAIL C

NUMBER	REVISION	DATE

DESIGNED -	20
CHECKED -	EXAMINED
DRAWN -	PASSED
CHECKED -	ENGINEER OF BRIDGES AND STRUCTURES