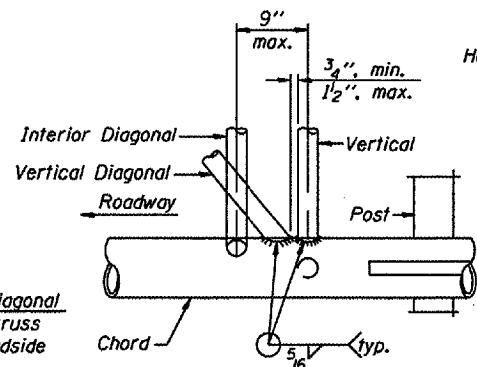


ELEVATION
(Sign and walkway omitted for clarity)

TYPICAL TRUSS UNIT

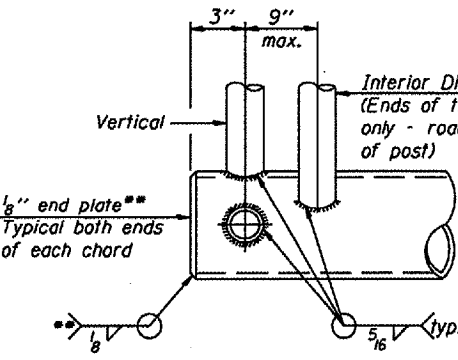
For Section B-B and Section C-C, see Base Sheet OSC-A-3.

Note:
There are twice as many horizontal diagonals as there are vertical diagonals.



SHOP CAMBER TABLE

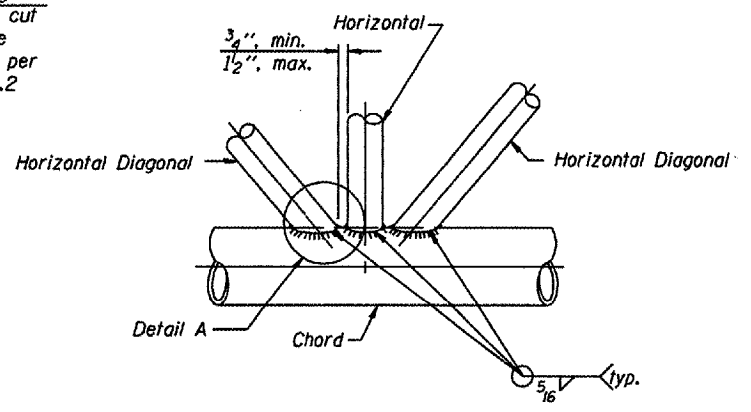
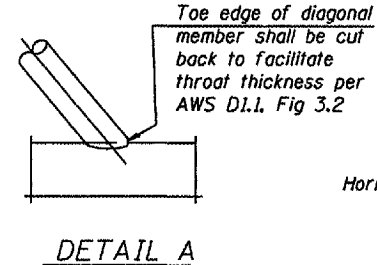
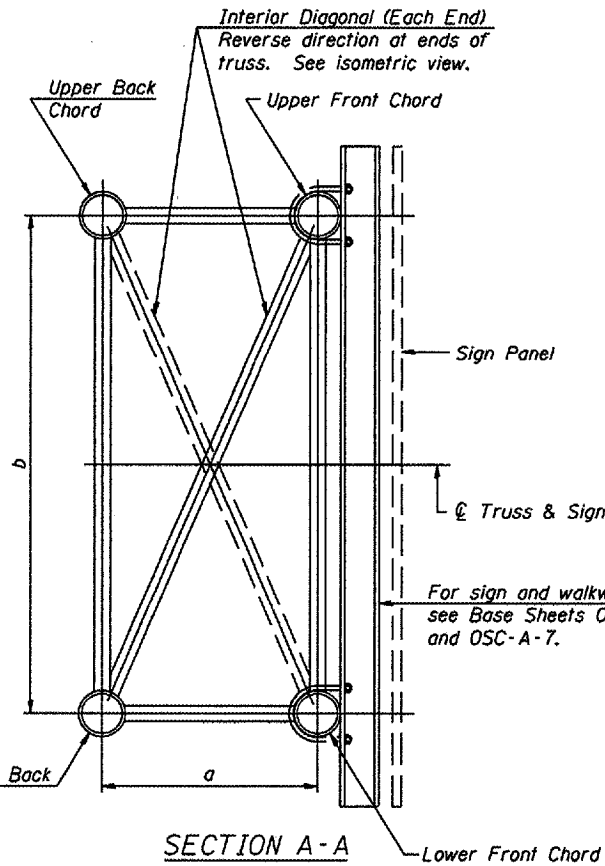
Unit Length (L)	Shop Camber at End
15'	1 1/2"
16'-17'	1 3/4"
18'-20'	2"
21'-22'	2 1/4"
23'-25'	2 1/2"
26'-27'	2 3/4"
28'-30'	3"
31'-32'	3 1/4"
33'-35'	3 1/2"
36'-37'	4"
38'-40'	4 1/2"



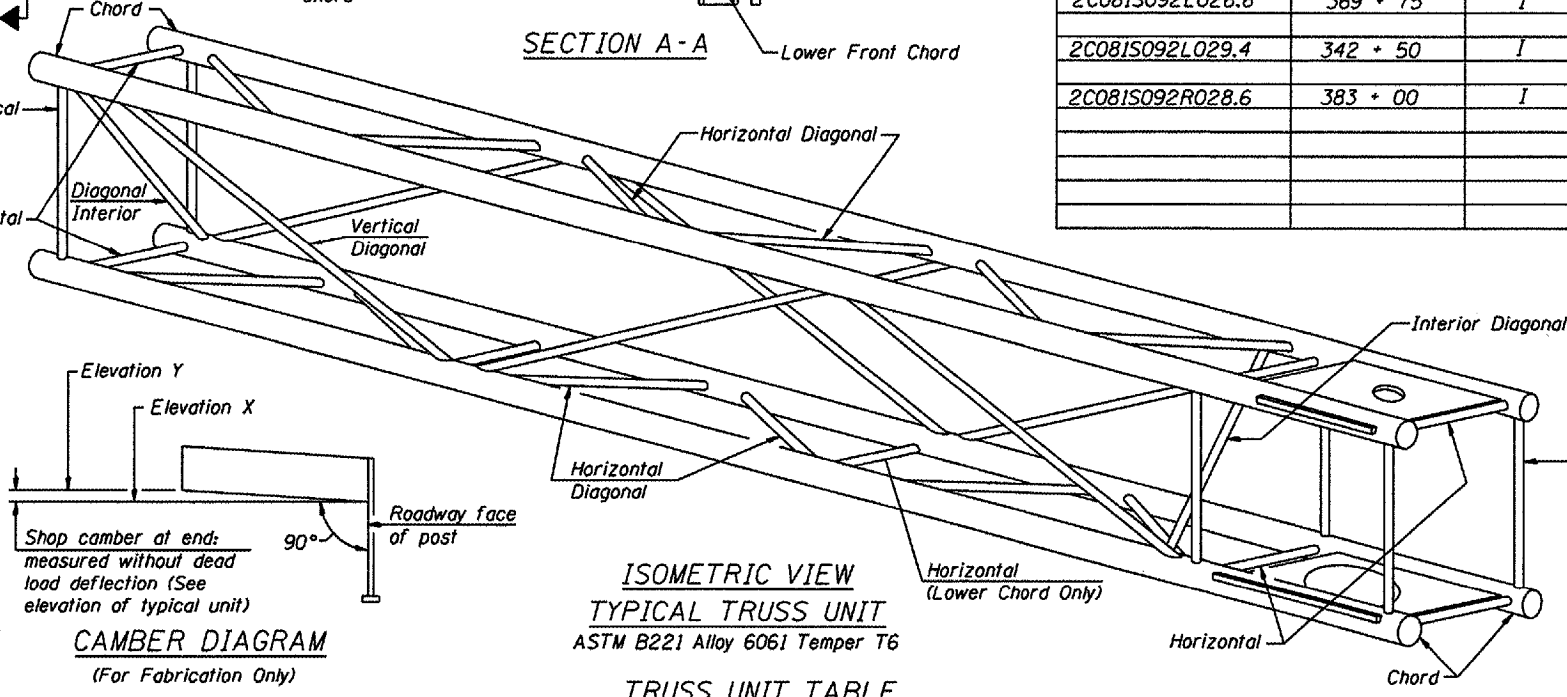
** Contractor may alternatively use standard aluminum drive-fit cap to close ends.

DESIGNED -	20
CHECKED -	EXAMINED
DRAWN -	PASSED
CHECKED -	ENGINEER OF BRIDGES AND STRUCTURES

OSC-A-2 1-7-05



Structure Number	Station	Truss Type	Design Length (L)	Number of Panels Per Unit	Panel Length (P)**
2C08IS092L029.5	332 + 50	I	25'-0"	7	3' - 4"
2C08IS092L028.8	369 + 75	I	25'-0"	7	3' - 4"
2C08IS092L029.4	342 + 50	I	25'-0"	7	3' - 4"
2C08IS092R028.6	383 + 00	I	25'-0"	7	3' - 4"



CAMBER DIAGRAM
(For Fabrication Only)

Truss Type	Dimension "a"	Dimension "b"	Dimension "s"	Limits for Panel Spacing (P)*	Up. & Low. Chord		Verticals; Horizontals; Vertical, Horizontal, and Interior Diagonals	
					O.D.	Wall	O.D.	Wall
I-C-A	24"	54"	16"	36" min. to 48" max.	5"	5/16"	2 1/2"	5/16"
II-C-A	36"	66"	21"	42" min. to 54" max.	6 1/2"	5/16"	3 1/4"	5/16"
III-C-A (35' Max.)	36"	84"	21"	48" min. to 66" max.	7"	3/8"	3 1/2"	3/8"
III-C-A (>35' to 40')	36"	84"	21"	48" min. to 66" max.	8"	3/8"	3 1/2"	3/8"

*P = (L - 3") / # Panels

NUMBER	REVISION	DATE

CANTILEVER SIGN STRUCTURES
TRUSS DETAILS
ALUMINUM TRUSS & STEEL POST

District 2
Truss Repair & Replacement