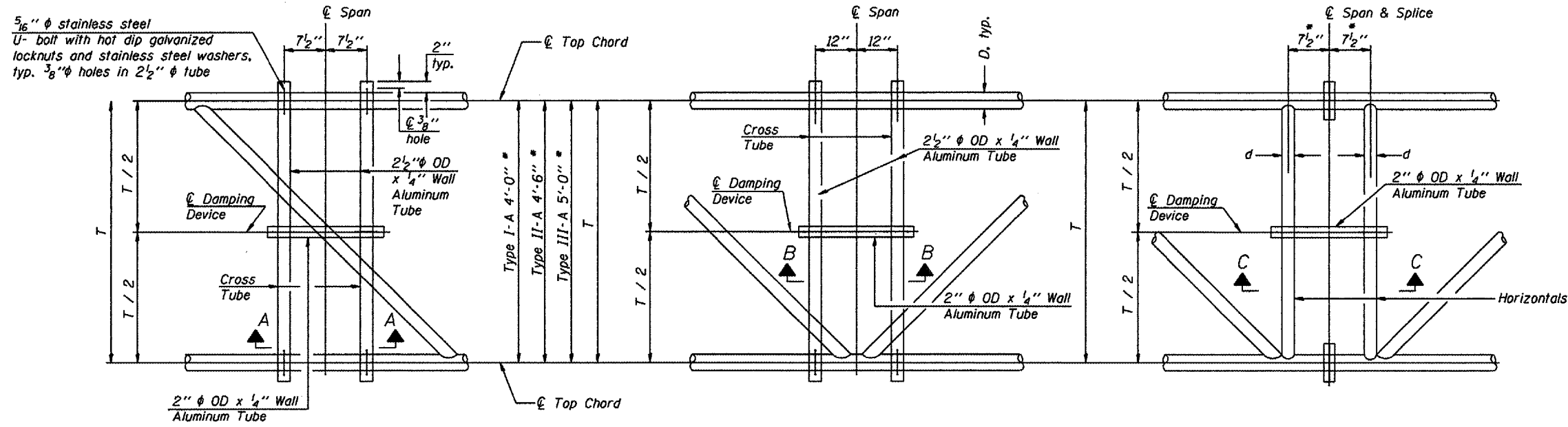


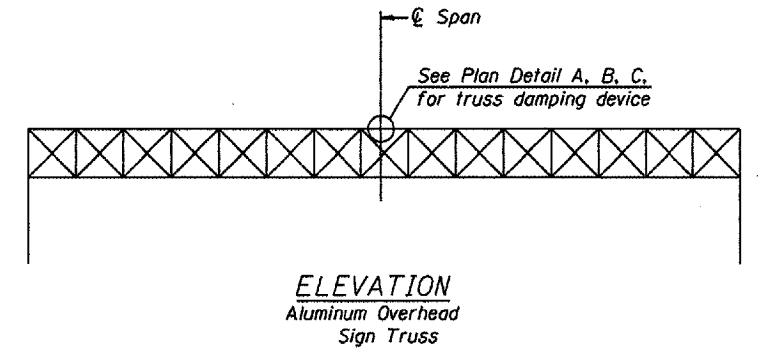
* Center of horizontal to center of splice dimension may vary. Verify before drilling holes in mounting tube.



PLAN DETAIL "A"
Span between Panel Points

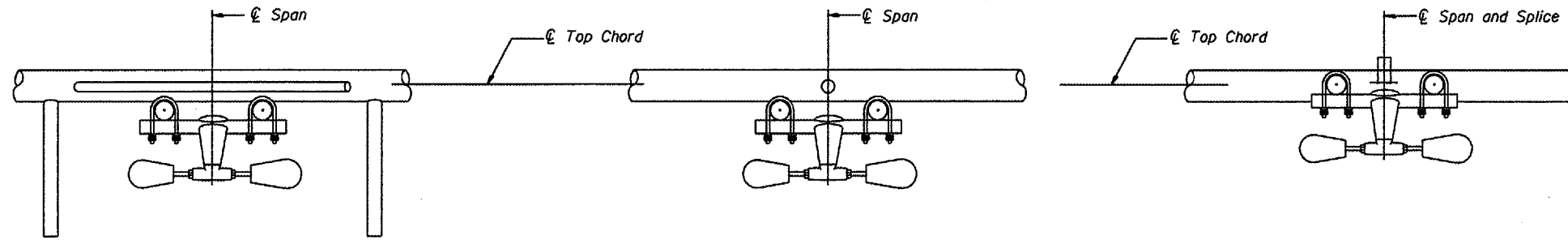
PLAN DETAIL "B"
Span at Panel Point

PLAN DETAIL "C"
Span at Chord Splice



ELEVATION
Aluminum Overhead
Sign Truss

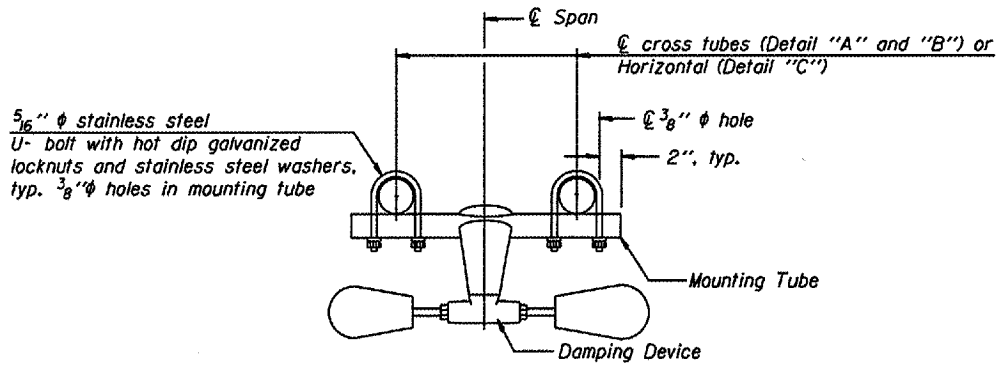
NOTES
Damper: One damper per truss.
(31 lbs. Stockbridge-Type Aluminum)
Cost included in Overhead Sign Structure...
Materials: Aluminum tubes shall be ASTM B221
alloy 6061 temper T6. Cost included in
Overhead Sign Structure...



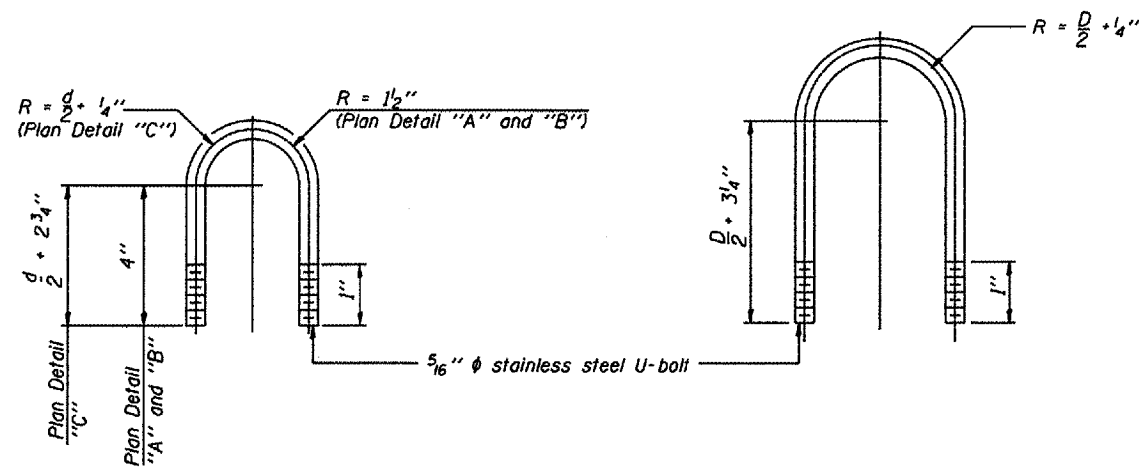
SECTION A-A

SECTION B-B

SECTION C-C



TRUSS DAMPING
DEVICE CONNECTION DETAIL
(Typical)



DAMPING DEVICE MOUNTING
TUBE U-BOLT DETAIL
(Typical)

TOP CHORD TO CROSS TUBE
U-BOLT DETAIL
(Typical - Detail "A" and "B")

DESIGNED -	20
CHECKED -	EXAMINED
DRAWN -	PASSED
CHECKED -	ENGINEER OF BRIDGES AND STRUCTURES