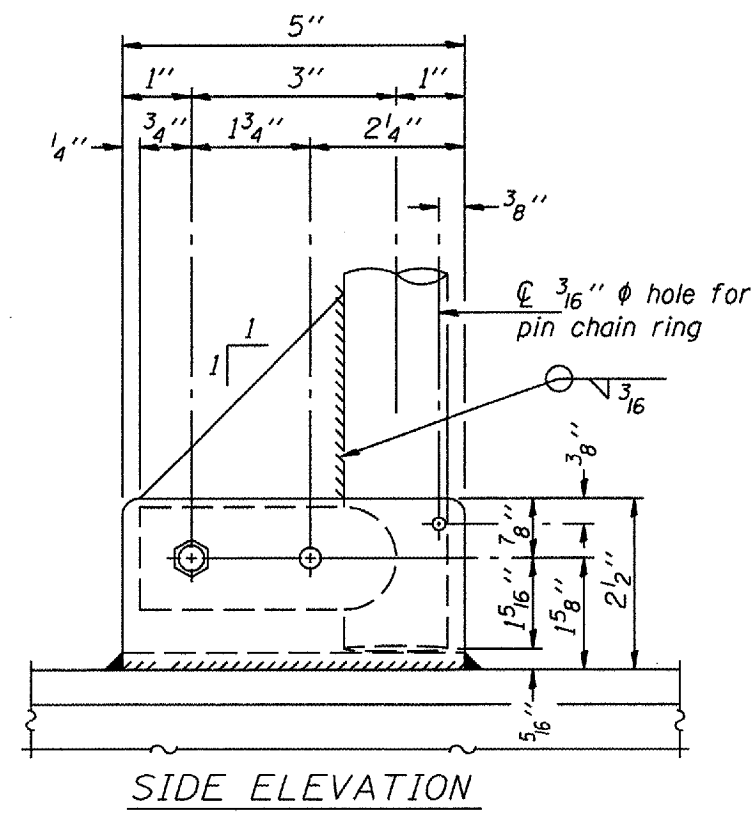
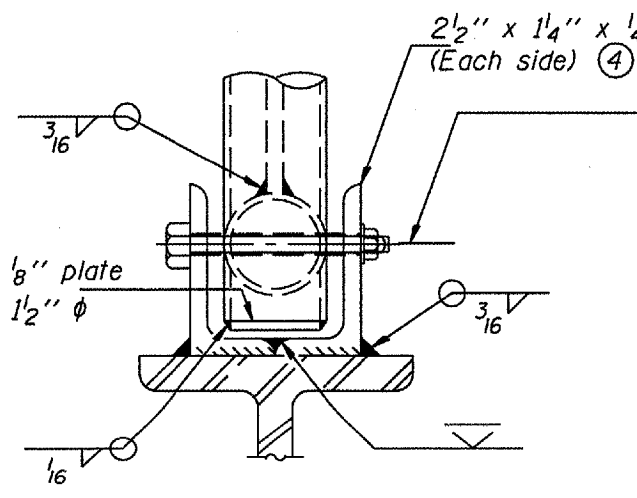


STATE OF ILLINOIS DEPARTMENT OF TRANSPORTATION



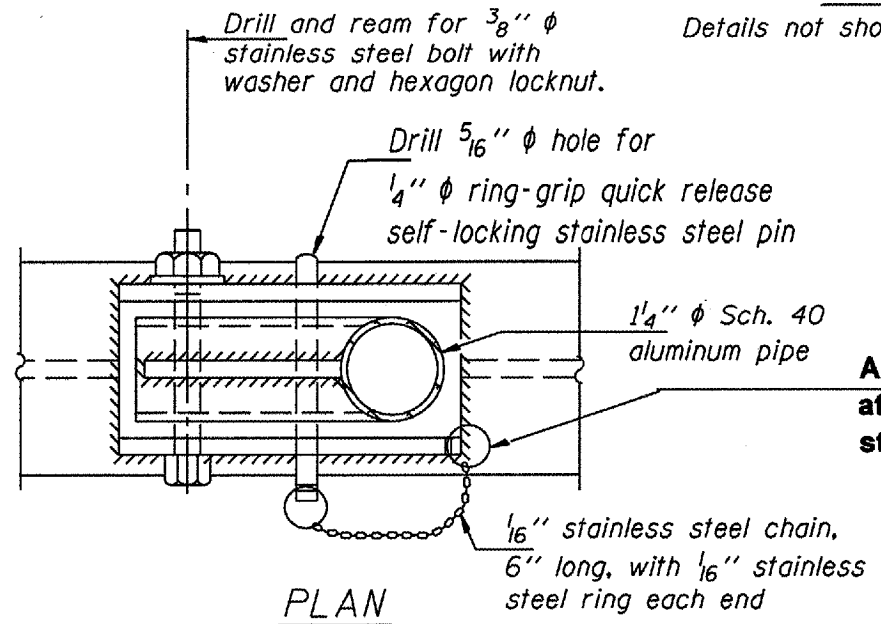
SIDE ELEVATION



FRONT ELEVATION

The existing locking pin hole to be reamed for proper alignment and a new oversized stainless steel pin to be installed.

Details not shown same as "ELEVATION" at right.



PLAN
DETAIL E HANDRAIL HINGE

A new stainless steel chain shall be attached to the angle with a 1/16" stainless steel ring.

OVERHEAD SIGN STRUCTURES
 HANDRAIL HINGE REPAIR DETAIL