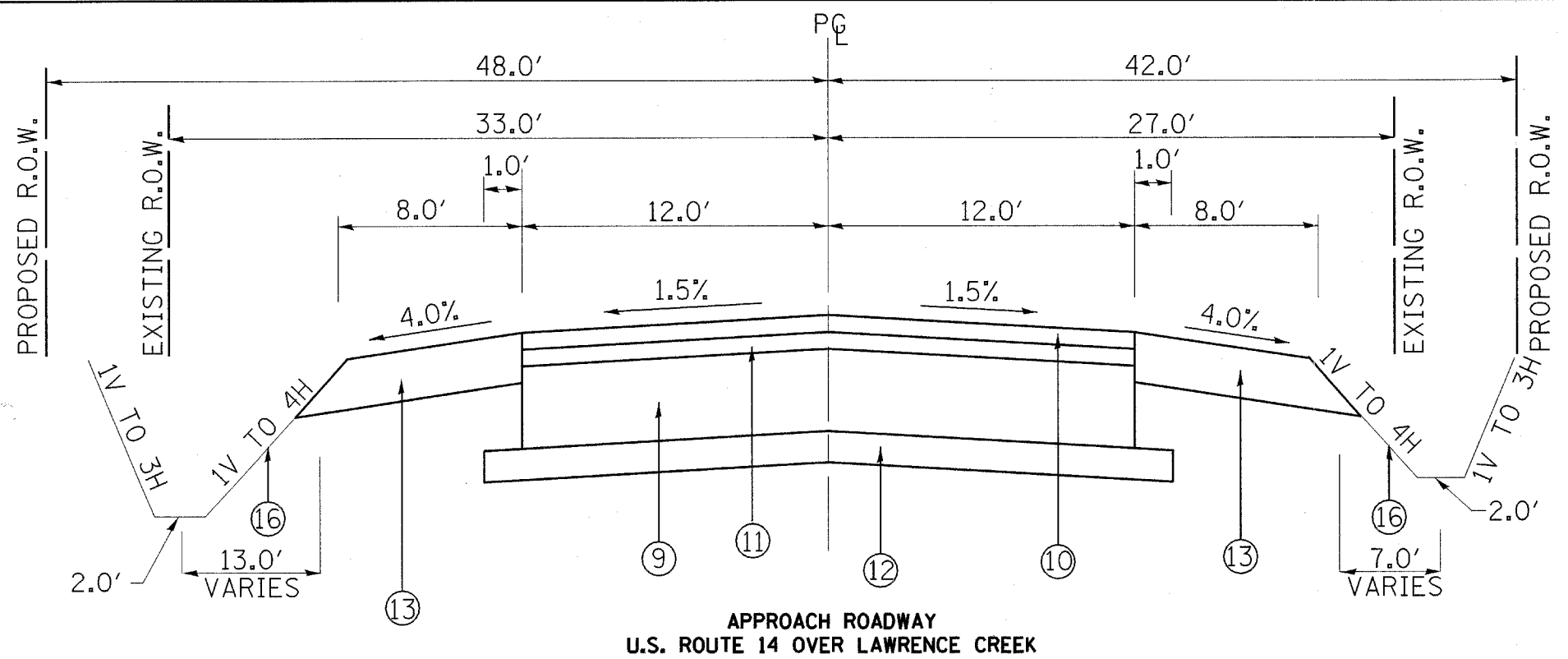


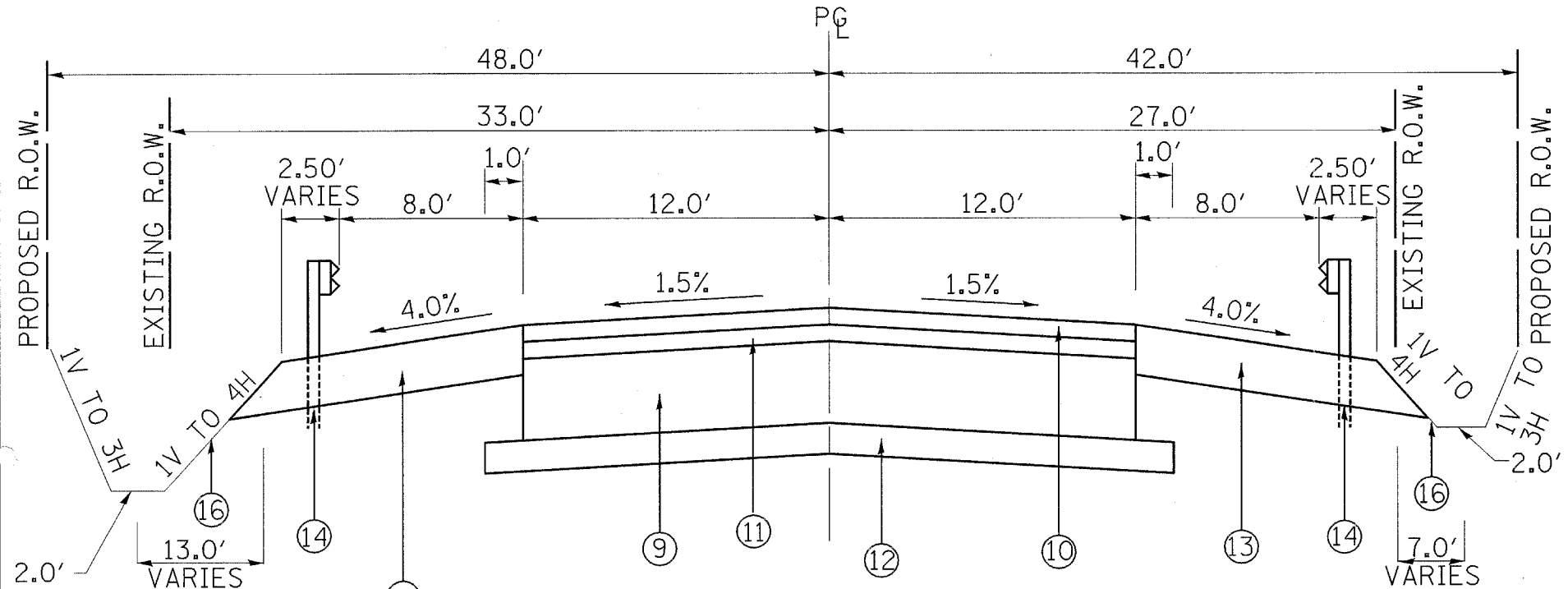
F.A.P. RTE.	SECTION	COUNTY	TOTAL SHEETS	SHEET NO.
066	21 (B&G) R	McHENRY	66	7
STA.		TO STA.		
FED. ROAD DIST. NO.		ILLINOIS FED. AID PROJECT		

#62391



APPROACH ROADWAY
U.S. ROUTE 14 OVER LAWRENCE CREEK

STA. 104+00 TO STA. 105+50
STA. 111+45 TO STA. 115+10



APPROACH ROADWAY
U.S. ROUTE 14 OVER LAWRENCE CREEK

STA. 105+50 TO STA. 106+87.25
STA. 107+12.75 TO STA. 109+83.4
STA. 110+16.6 TO STA. 111+45

TYPICAL SECTION LEGEND

- ⑨ -PROPOSED PORTLAND CEMENT CONCRETE BASE COURSE, 9"
- ⑩ -PROPOSED BITUMINOUS CONCRETE SURFACE COURSE, SUPERPAVE, MIX "D," N50, 1 1/2"
- ⑪ -PROPOSED LEVELING BINDER (MACHINE METHOD), SUPERPAVE, N50, 1 1/2"
- ⑫ -PROPOSED SUB-BASE GRANULAR MATERIAL, TYPE B 4" VARIES 14" TO 21" OVER CULVERTS, PAID AS 4"
- ⑬ -PROPOSED BITUMINOUS SHOULDERS SUPERPAVE 10"
- ⑭ -PROPOSED STEEL PLATE BEAM GUARD RAIL, TYPE B
- ⑮ -PROPOSED PRECAST CONCRETE BOX CULVERT
- ⑯ -PROPOSED SEEDING, CLASS 2A, SEEDING, CLASS 4A, & SODDING, SALT TOLERANT

REVISIONS	
NAME	DATE

ILLINOIS DEPARTMENT OF TRANSPORTATION
U.S. ROUTE 14 OVER LAWRENCE CREEK
TYPICAL SECTIONS PROPOSED

SCALE: NTS
DRAWN BY CLG
CHECKED BY JJD
DATE: 2-07-05



3287TYP2.DGN