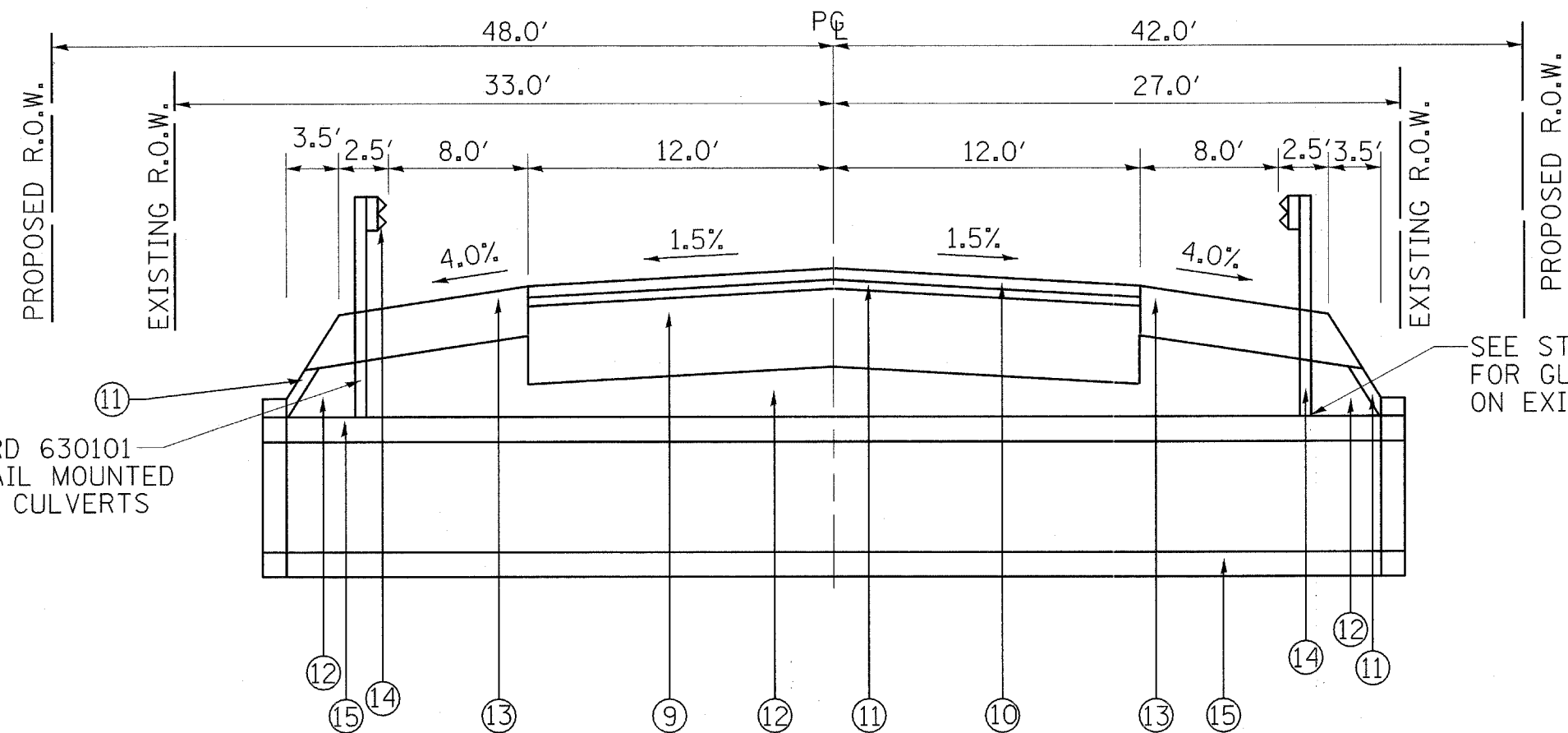


#62391



SEE STANDARD 630101 FOR GUARDRAIL MOUNTED ON EXISTING CULVERTS

SEE STANDARD 630101 FOR GUARDRAIL MOUNTED ON EXISTING CULVERTS

CULVERT
U.S. ROUTE 14 OVER LAWRENCE CREEK
STA. 106+87.25 TO STA. 107+12.75
STA. 109+83.4 TO STA. 110+16.6

BITUMINOUS MIXTURE REQUIREMENTS

MIXTURE USES	AC/PG	RAP MAX	DESIGN AIR VOIDS
BITUMINOUS CONCRETE SURFACE COURSE, SUPERPAVE, MIX "C", N50 (DRIVEWAYS, MEDIAN)	PG 64-22	15%	4% @ 50 GYR
BITUMINOUS CONCRETE SURFACE COURSE, SUPERPAVE, MIX "D", N50	PG 64-22	15%	4% @ 50 GYR
BITUMINOUS SHOULDERS, SUPERPAVE	PG 58-22	50%	2% @ 30 GYR
TEMPORARY PAVEMENT	PG 58-22	50%	2% @ 50 GYR
LEVELING BINDER (MACHINE METHOD) SUPERPAVE N50	PG 64-22	15%	4% @ 50 GYR
BINDER, IL-19mm (PAVEMENT PATCHING)	PG 64-22	15%	4% @ 70 GYR
BITUMINOUS BASE COURSE, SUPERPAVE	PG 58-22	50%	2% @ 50 GYR

TYPICAL SECTION LEGEND

- ⑨ -PROPOSED PORTLAND CEMENT CONCRETE BASE COURSE, 9"
- ⑩ -PROPOSED BITUMINOUS CONCRETE SURFACE COURSE, SUPERPAVE, MIX "D," N50, 1 1/2"
- ⑪ -PROPOSED LEVELING BINDER (MACHINE METHOD), SUPERPAVE, N50, 1 1/2"
- ⑫ -PROPOSED SUB-BASE GRANULAR MATERIAL, TYPE B 4" VARIES 14" TO 21" OVER CULVERTS, PAID AS 4"
- ⑬ -PROPOSED BITUMINOUS SHOULDERS SUPERPAVE 10"
- ⑭ -PROPOSED STEEL PLATE BEAM GUARD RAIL, TYPE B
- ⑮ -PROPOSED PRECAST CONCRETE BOX CULVERT

REVISIONS	
NAME	DATE

ILLINOIS DEPARTMENT OF TRANSPORTATION
 U.S. ROUTE 14 OVER LAWRENCE CREEK
TYPICAL SECTIONS PROPOSED
 SCALE: NTS
 DRAWN BY CLG
 CHECKED BY JJD
 DATE: 2-07-05



3287TYP2.DGN