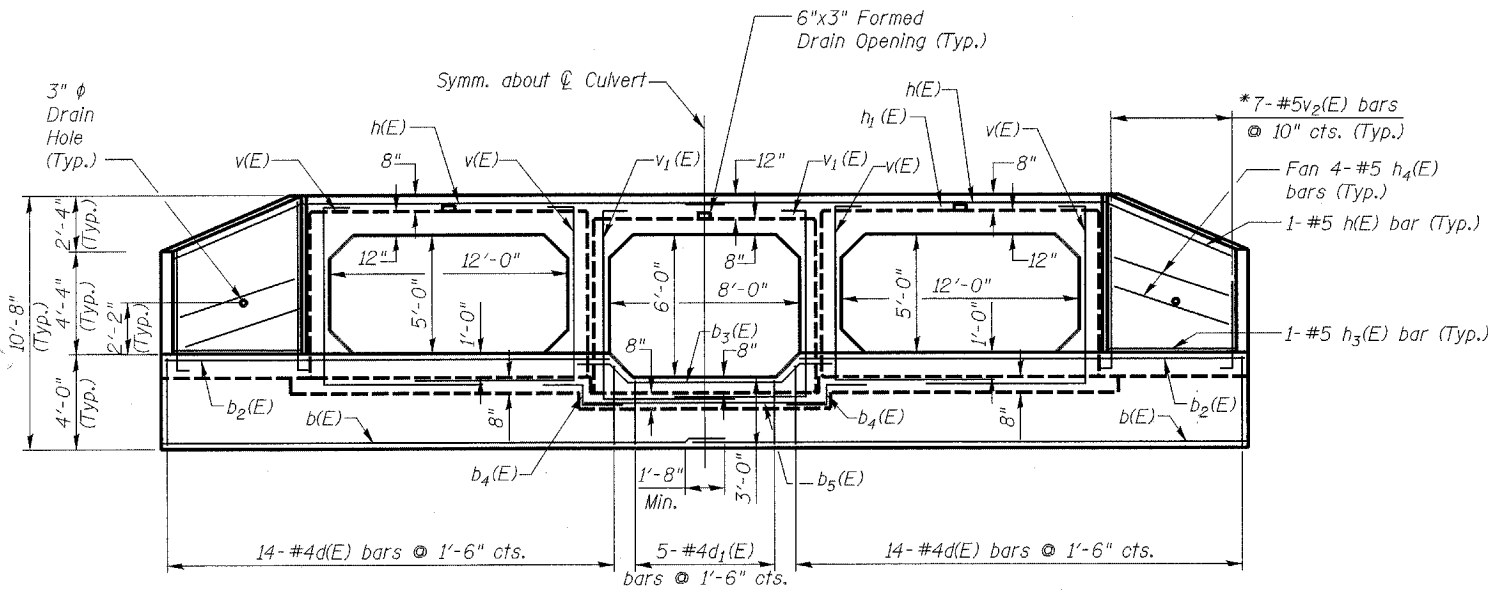


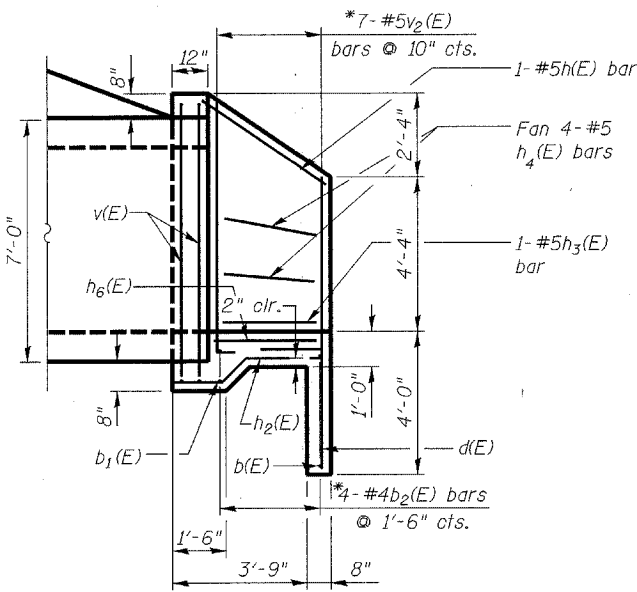
STATE OF ILLINOIS  
DEPARTMENT OF TRANSPORTATION

ROUTE NO. F.A.P. 066	SECTION 2(K&G)R	COUNTY McHENRY	TOTAL SHEETS 66	SHEET NO. 35	SHEET NO. 3 8 SHEETS
FED. ROAD DIST. NO. 7		ILLINOIS	FED. AID PROJECT-		

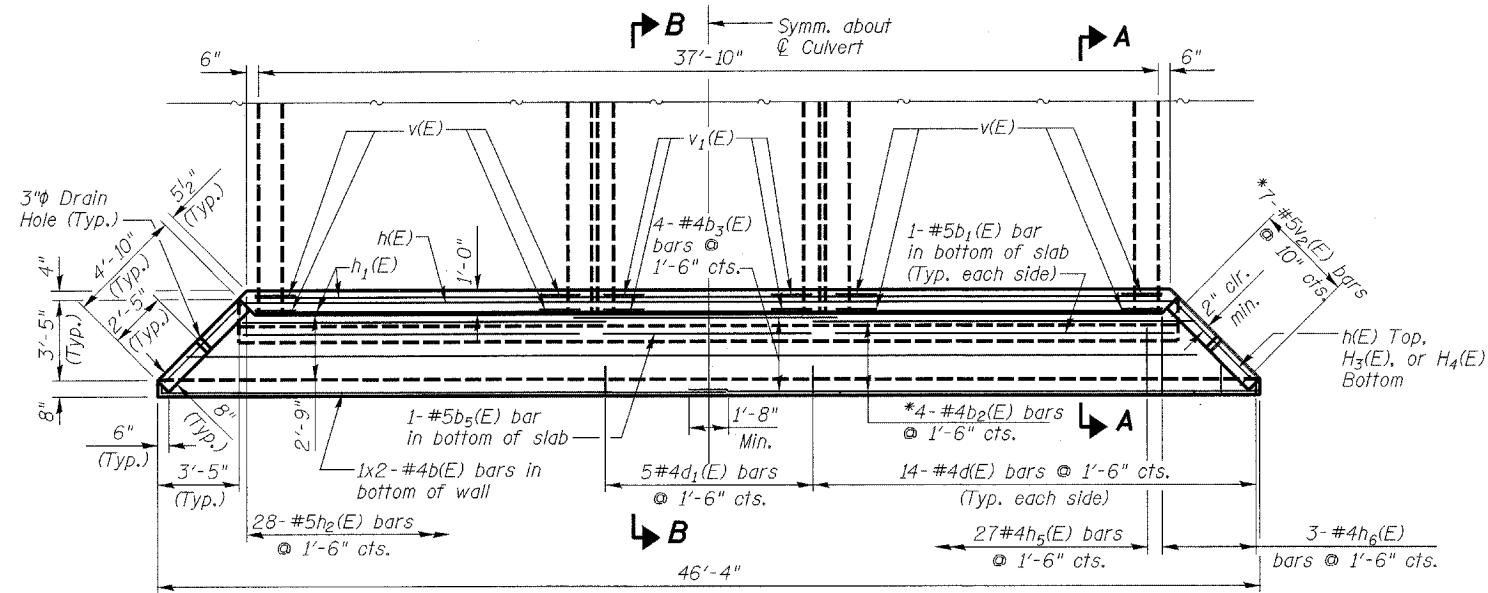
#62391



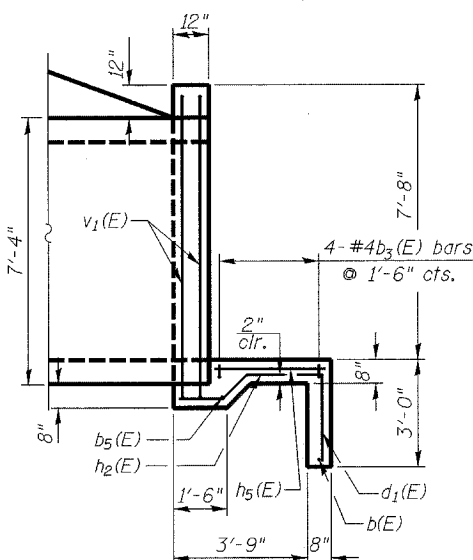
**END ELEVATION**



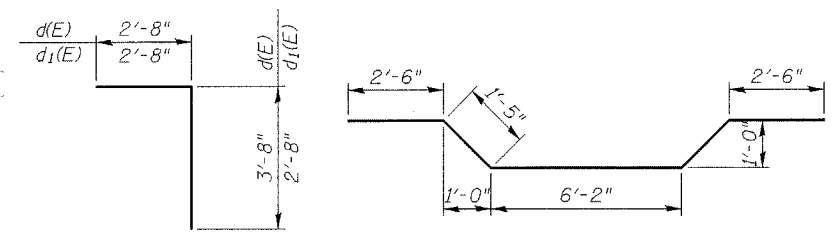
**SECTION A-A**



**PLAN**



**SECTION B-B**



**BARS d(E) & d<sub>1</sub>(E)**

**BAR b<sub>3</sub>(E)**

**BAR h<sub>2</sub>(E)**

**BAR b<sub>4</sub>(E)**

**BAR v<sub>2</sub>(E)**

**BARS v(E) & v<sub>1</sub>(E)**

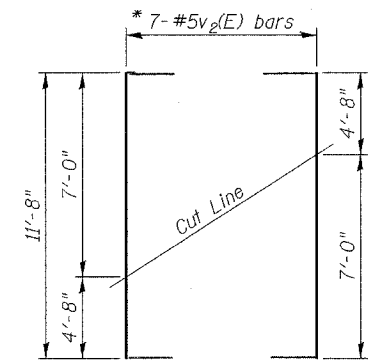
**BILL OF MATERIAL**

Bar	No.	Size	Length	Shape
b(E)	4	#4	23'-10"	—
b <sub>1</sub> (E)	4	#5	14'-6"	—
b <sub>2</sub> (E)	8	#4	32'-0"	—
b <sub>3</sub> (E)	8	#4	14'-0"	—
b <sub>4</sub> (E)	4	#5	4'-0"	—
b <sub>5</sub> (E)	2	#5	9'-4"	—
d(E)	56	#4	6'-4"	—
d <sub>1</sub> (E)	10	#4	5'-4"	—
h(E)	4	#5	25'-4"	—
h <sub>1</sub> (E)	4	#5	37'-10"	—
h <sub>2</sub> (E)	56	#5	3'-9"	—
h <sub>3</sub> (E)	4	#5	4'-6"	—
h <sub>4</sub> (E)	16	#5	5'-5"	—
h <sub>5</sub> (E)	54	#4	3'-1"	—
h <sub>6</sub> (E)	6	#4	3'-4"	—
v(E)	16	#5	17'-4"	—
v <sub>1</sub> (E)	8	#5	15'-8"	—
v <sub>2</sub> (E)	14	#5	16'-2"	—
Reinforcement Bars (Epoxy Coated)		Lbs.	2060	
Concrete Structures		Cu. Yds.	40	

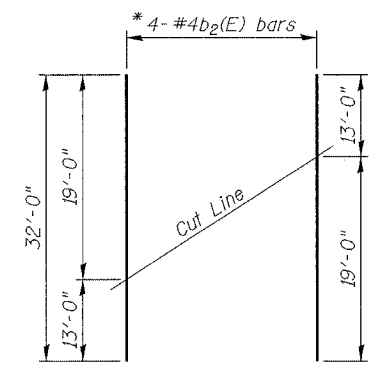
\*\* For Information Only. The items in this table are not paid for separately, but are include in the cost of "Box Culvert End Sections."

The above table includes quantities for two box culvert end sections.

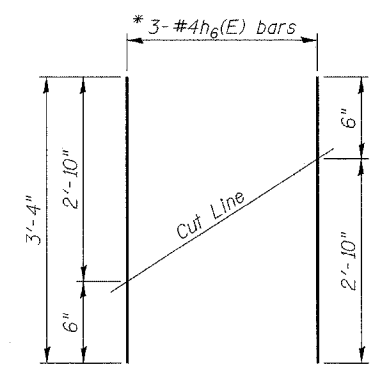
Reinforcement bars designated (E) shall be epoxy coated.



**FIELD CUTTING DIAGRAM**



**FIELD CUTTING DIAGRAM**



**FIELD CUTTING DIAGRAM**

\* Order v<sub>2</sub>(E), b<sub>2</sub>(E), and h<sub>6</sub>(E) bars full length. Cut to fit as shown and use remainder or bars in other side of apron.

DESIGNED	RFS	20
CHECKED	LLP	
DRAWN	JPG	
CHECKED	RFS	
EXAMINED		ENGINEER OF BRIDGE DESIGN
PASSED		
		ENGINEER OF BRIDGES AND STRUCTURES

**BOX CULVERT END SECTION DETAILS**  
U.S. ROUTE 14  
(NORTHWEST HIGHWAY)  
OVER LAWRENCE CREEK  
FAP 066 SECTION 2(K&G)R  
McHENRY COUNTY  
STATION 110+00.00  
STRUCTURE NO. 056-0074