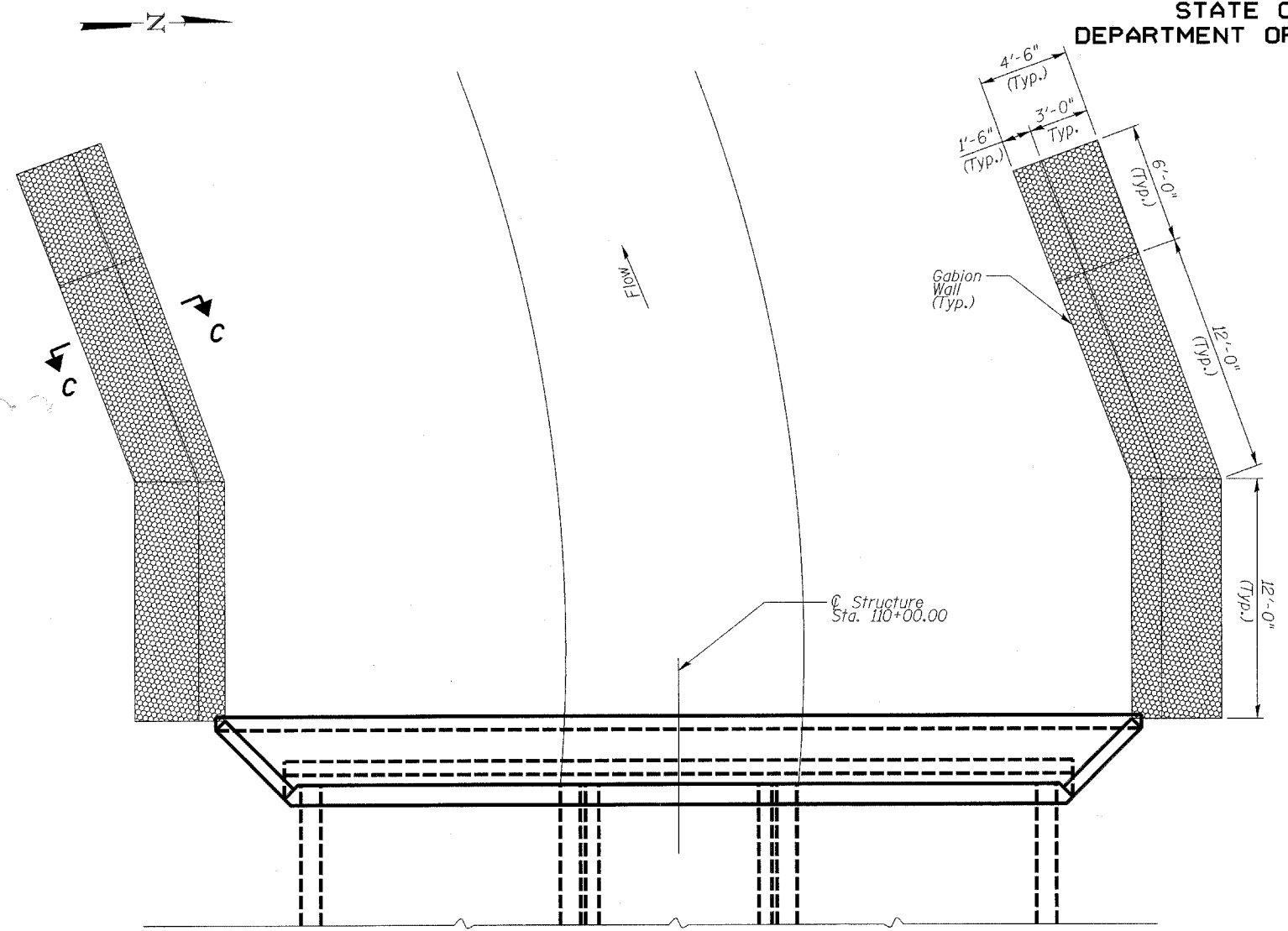


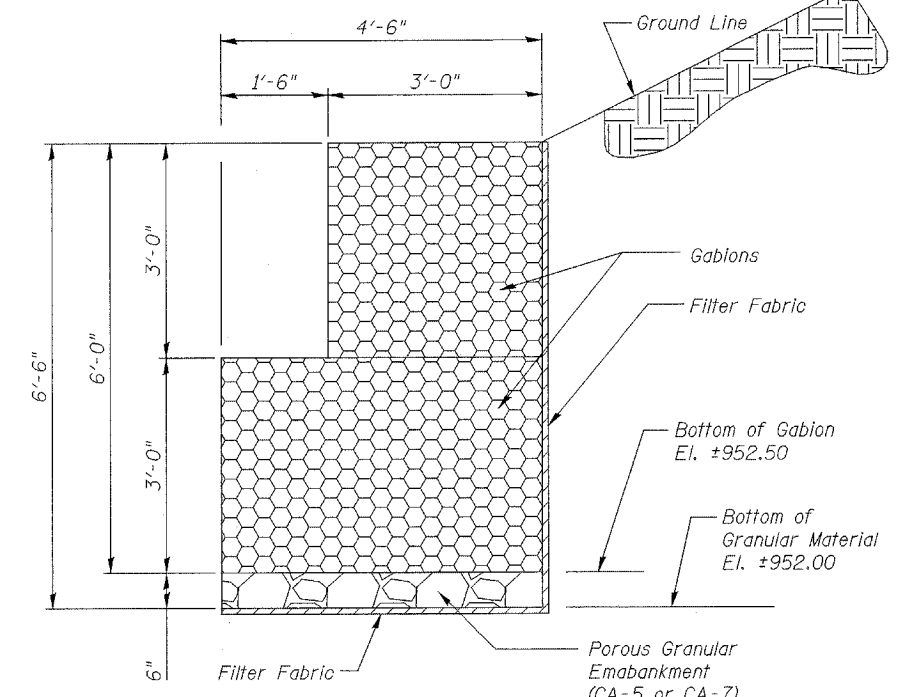
STATE OF ILLINOIS
DEPARTMENT OF TRANSPORTATION

ROUTE NO.	SECTION	COUNTY	SHEETS	SHEET	SHEET NO. 4 8 SHEETS
F.A.P. 066	21(B&G)R	McHENRY	66	36	
FED. ROAD DIST. NO. 7	ILLINOIS	FED. AID PROJECT-			

#62391



PLAN



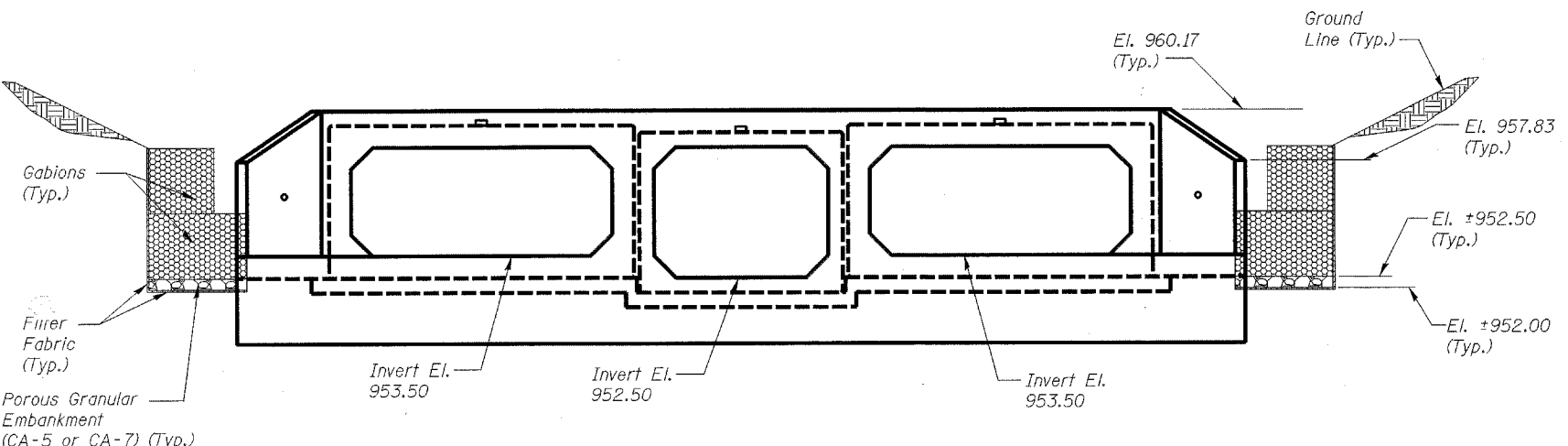
SECTION C-C

GENERAL NOTES

- Gabions shall conform to the requirements of Section 284 of the Standard Specifications.
- Filter Fabric shall conform to all applicable requirements of Section 282 and Article 1080.03 of the Standard Specifications.
- Porous Granular Embankment shall conform to the requirements of Section 207 of the Standard Specifications. Gradation CA-5 or CA-7 shall be used for the Porous Granular Embankment.
- The Contractor shall follow all Manufacturer's instructions.
- The Contractor shall install the gabions to the limits shown on the plans or as directed by the Engineer.

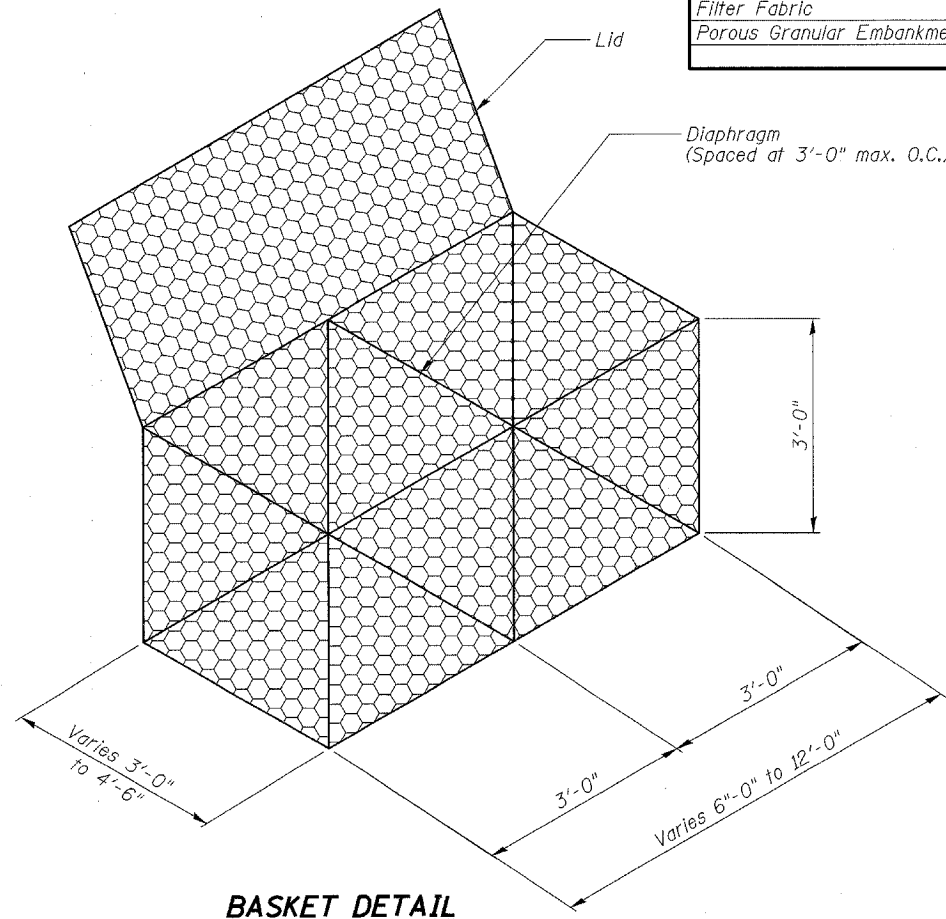
TOTAL BILL OF MATERIAL

ITEM	UNIT	TOTAL
Gabions	C.Y.	50
Filter Fabric	S.Y.	70
Porous Granular Embankment	C.Y.	5



DOWNSTREAM ELEVATION

(Looking East)



BASKET DETAIL

DESIGNED	RFS
CHECKED	LLP
DRAWN	JPG
CHECKED	RFS

EXAMINED	20	ENGINEER OF BRIDGE DESIGN
PASSED		ENGINEER OF BRIDGES AND STRUCTURES

GABION DETAILS
U.S. ROUTE 14
(NORTHWEST HIGHWAY)
OVER LAWRENCE CREEK
FAP 066 SECTION 21(B&G)R
McHENRY COUNTY
STATION 110+00.00
STRUCTURE NO. 056-0074