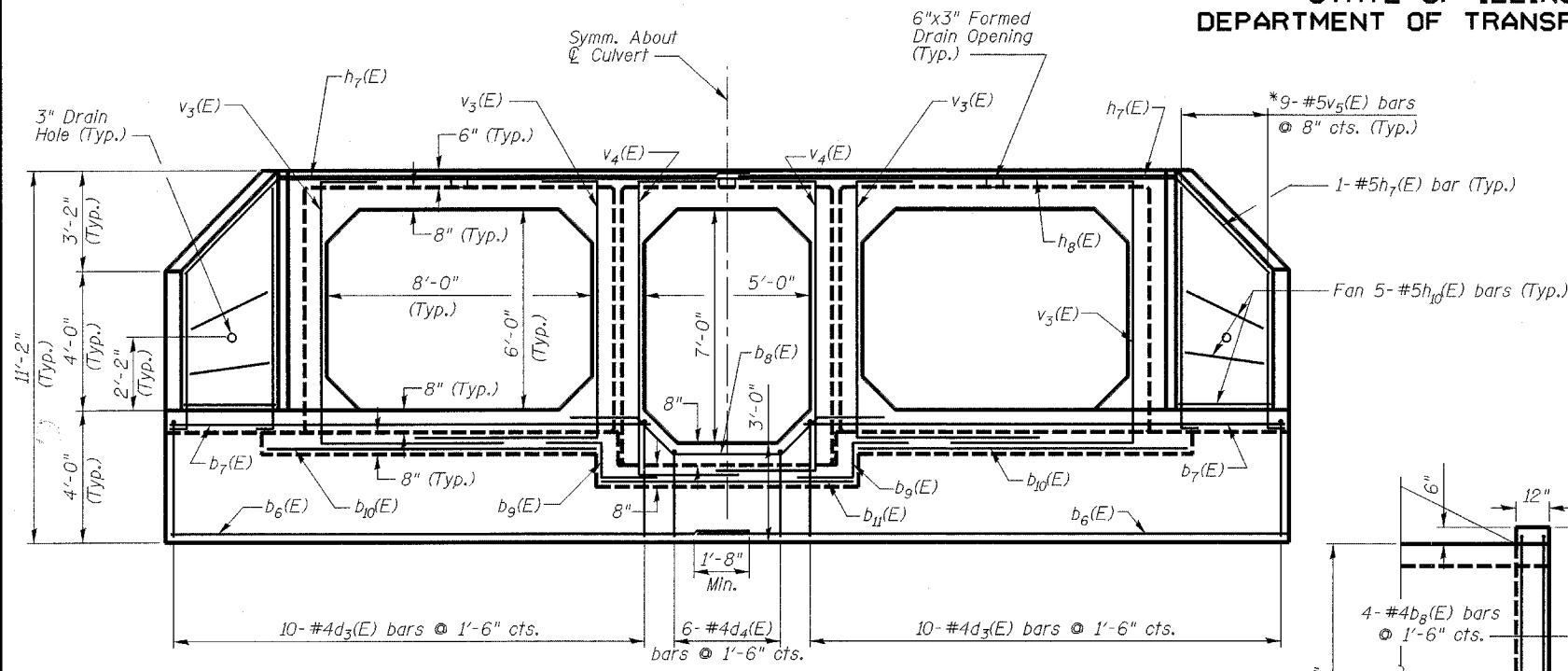
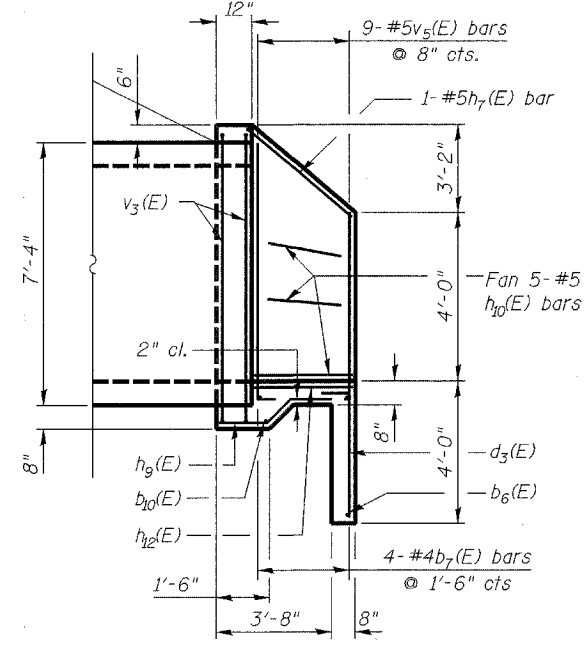


STATE OF ILLINOIS
DEPARTMENT OF TRANSPORTATION

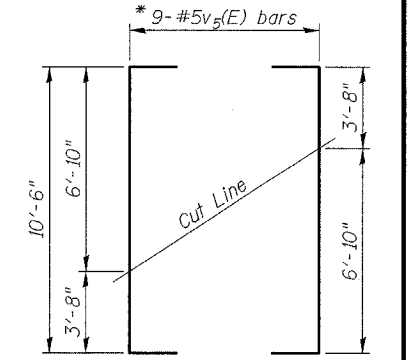
ROUTE NO.	SECTION	COUNTY	TOTAL SHEETS	SHEET NO.	SHEET NO. 3
F.A.P. 066	2(KB&G)R	McHENRY	66	43	6 SHEETS
FED. ROAD DIST. NO. 7	ILLINOIS	FED. AID PROJECT-			#62391



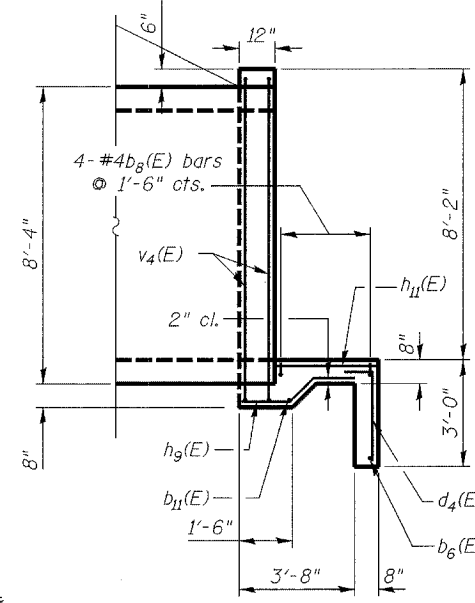
END ELEVATION



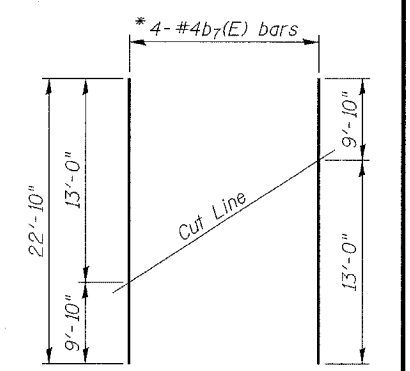
SECTION A-A



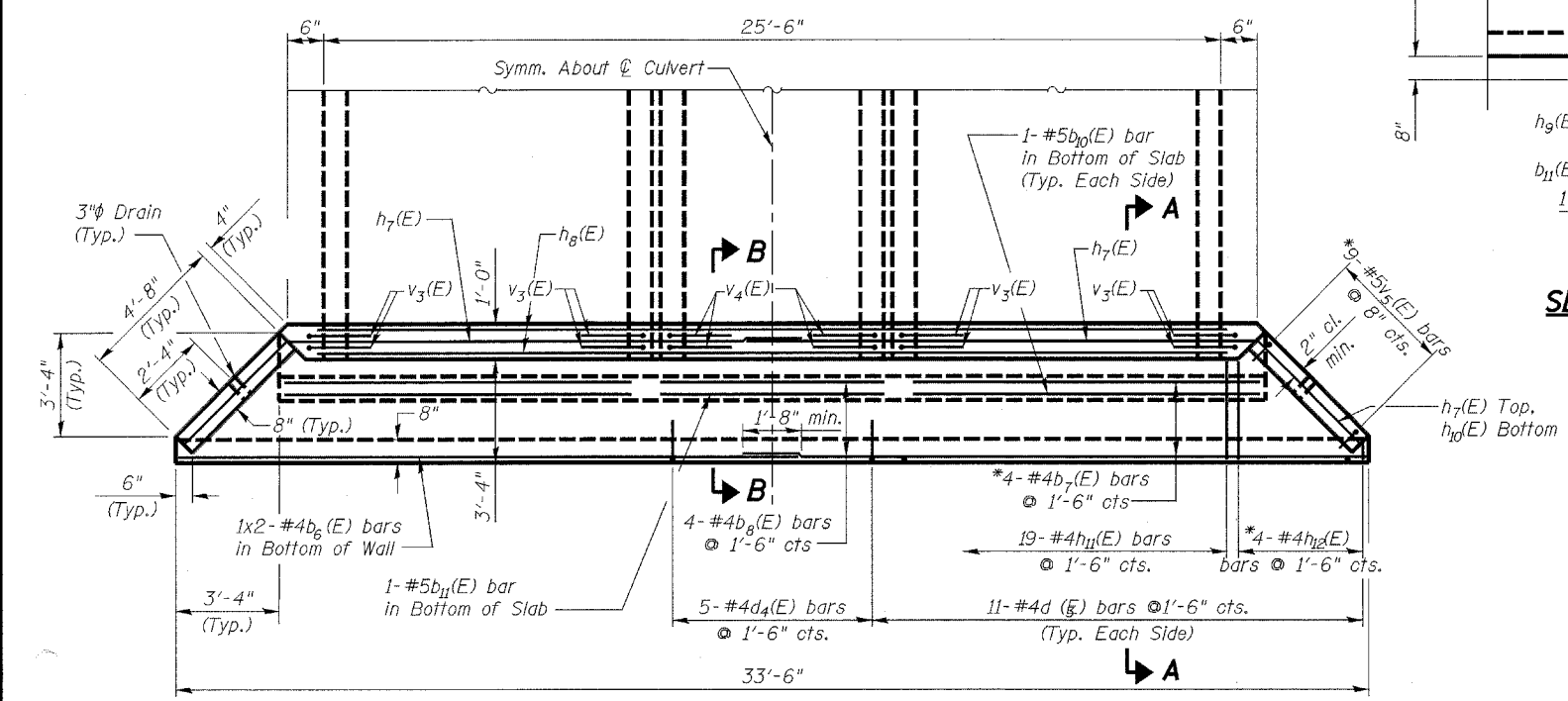
FIELD CUTTING DIAGRAM



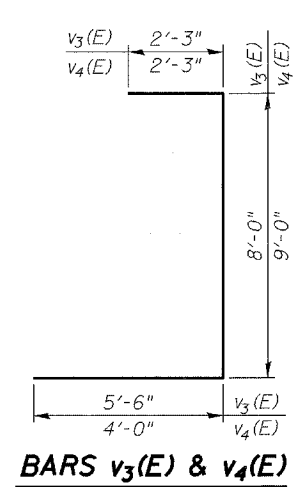
SECTION B-B



FIELD CUTTING DIAGRAM



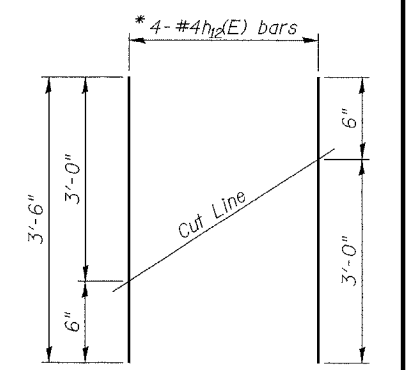
END PLAN



BARS v3(E) & v4(E)

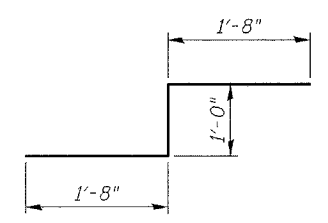
****BILL OF MATERIAL**

Bar	No.	Size	Length	Shape
b6(E)	4	#4	17'-5"	
b7(E)	8	#4	22'-10"	
b8(E)	8	#4	11'-0"	
b9(E)	4	#5	4'-4"	
b10(E)	4	#5	9'-10"	
b11(E)	2	#5	6'-4"	
d3(E)	44	#4	6'-4"	
d4(E)	10	#4	5'-4"	
h7(E)	4	#5	18'-11"	
h8(E)	4	#5	25'-6"	
h9(E)	38	#5	3'-3"	
h10(E)	20	#5	4'-3"	
h11(E)	38	#4	3'-0"	
h12(E)	8	#4	3'-6"	
v3(E)	16	#5	15'-9"	
v4(E)	8	#5	15'-3"	
v5(E)	18	#5	15'-0"	
Reinforcement Bars (Epoxy Coated)			Lbs.	1700
Concrete Structures			Cu. Yds.	40

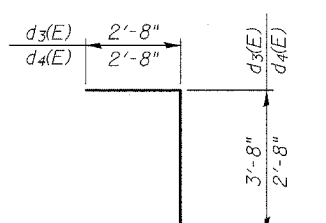


FIELD CUTTING DIAGRAM

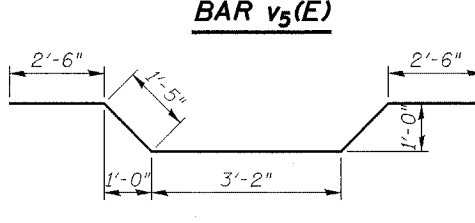
DESIGNED	RFS	20
CHECKED	LLP	EXAMINED
DRAWN	JPG	PASSED
CHECKED	RFS	ENGINEER OF BRIDGE DESIGN
		ENGINEER OF BRIDGES AND STRUCTURES



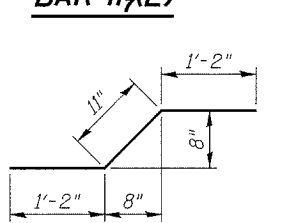
BAR b9(E)



BARS d3(E) & d4(E)



BAR b8(E)



BAR h9(E)

** For Information Only. The items in this table are not paid for separately, but are included in the cost of "Box Culvert End Sections."

The above table includes quantities for two box culvert end sections.

Reinforcement bars designated (E) shall be epoxy coated.

* Order v5(E), b7(E), and h12(E) bars full length. Cut to fit as shown and use remainder of bars in other side of apron.

BOX CULVERT END SECTION DETAILS
U.S. ROUTE 14
(NORTHWEST HIGHWAY)
OVER TRIBUTARY 'A'
TO LAWRENCE CREEK
FAP 066 SECTION 2(KB&G)R
McHENRY COUNTY
STATION 107+00.00
STRUCTURE NO. 056-0075