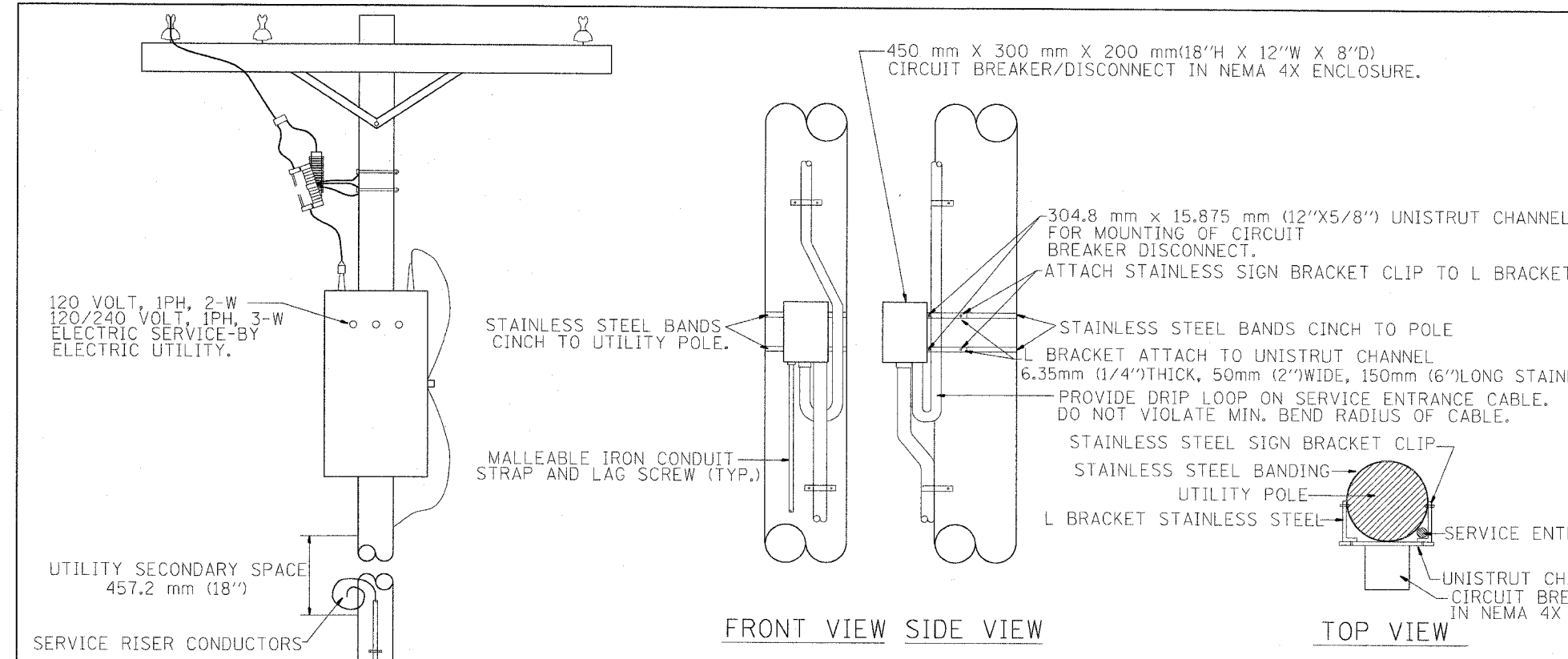


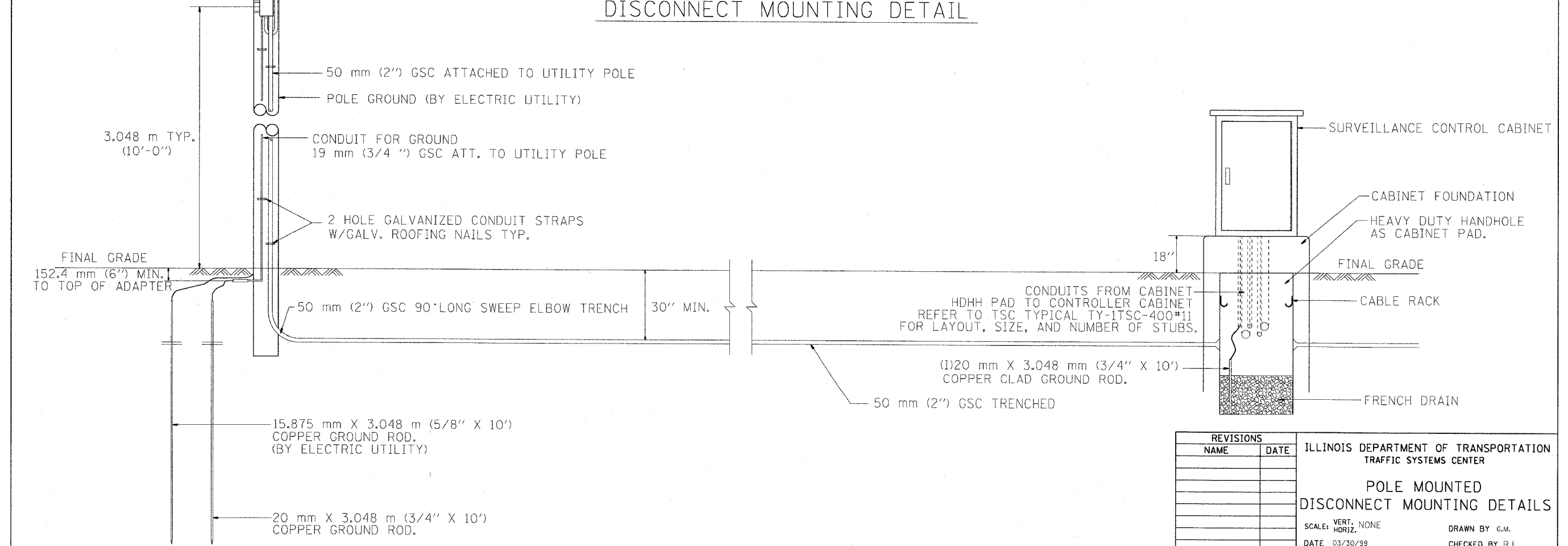
F.A. RTE.	SECTION	COUNTY	TOTAL SHEETS	SHEET NO.
40/44	2003-034	COOK	476	468
STA.		TO STA.		
FED. ROAD DIST. NO. 4		ILLINOIS FED. AID PROJECT		62583

NOTES:

- 1.- ALL CONDUIT BUSHINGS SHALL HAVE AN ISOLATED THROAT.
- 2.- PROVIDE HEAT SHRINK BOOT AT THE TOP OF THE SERVICE ENTRANCE CABLE FOR MOISTURE PROOFING.
- 3.- ALL CONNECTIONS TO GROUND RODS SHALL BE EXOTHERMIC UNLESS OTHERWISE NOTED.
- 4.- ATTACH INCOMING ELECTRIC SERVICE CABLE TO UTILITY POLE EVERY 5 FEET USING INSULATED U-NAIL.
- 5.- PROVIDE CABLE RACK IN HANDHOLES.
- 6.- ALL CONDUCTORS SHALL BE COPPER.
- 7.- PROVIDE STAINLESS STEEL HARDWARE TO ATTACH L BRACKETS TO UNISTRUT AND TO SIGN HANGER.



NTS
DISCONNECT MOUNTING DETAIL



REVISIONS	
NAME	DATE

ILLINOIS DEPARTMENT OF TRANSPORTATION
TRAFFIC SYSTEMS CENTER

POLE MOUNTED
DISCONNECT MOUNTING DETAILS

SCALE: VERT. NONE
HORIZ. NONE
DATE 03/30/99

DRAWN BY G.M.
CHECKED BY R.L.

RD= TYPMET.DGN
RF=

VI-40020