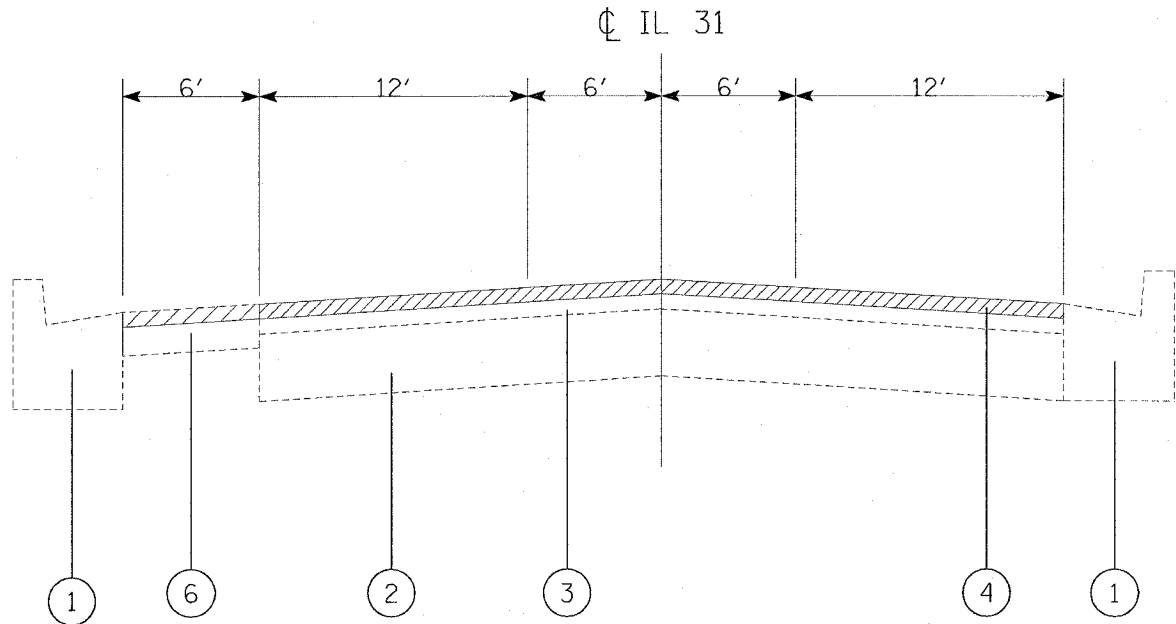
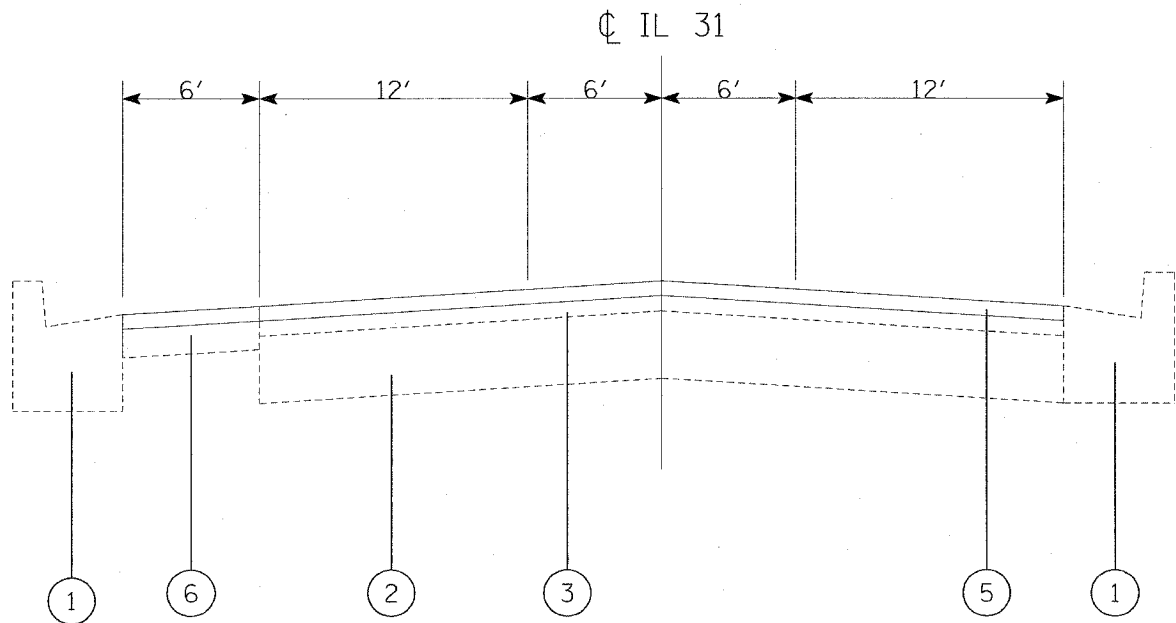


F.A.P. RTE.	SECTION	COUNTY	TOTAL SHEETS	SHEET NO.
333/336	2004-110RS	MCHENRY	18	5
STA. 2+75		TO STA. 16+62		
FED. ROAD DIST. NO. 1		ILLINOIS FED. AID PROJECT		



EXISTING TYPICAL CROSS SECTION
IL 31 (RICHMOND ROAD)
STA. 5+56 TO 7+18

- ① EXISTING CURB AND GUTTER, TYPE B-6.12
- ② EXISTING CONCRETE PAVEMENT, 10"
- ③ EXISTING BITUMINOUS SURFACE, 3"
- ④ PROPOSED BITUMINOUS CONCRETE SURFACE REMOVAL, 1 1/2"
- ⑤ PROPOSED BITUMINOUS CONCRETE SURFACE COURSE, SUPERPAVE, MIX "D", N70, 1 1/2"
- ⑥ EXISTING BITUMINOUS SHOULDER



PROPOSED TYPICAL CROSS SECTION
IL 31 (RICHMOND ROAD)
STA. 5+56 TO 7+18

REVISIONS		ILLINOIS DEPARTMENT OF TRANSPORTATION
NAME	DATE	
		LOCATION 1, IL 31 TYPICAL SECTIONS

SCALE: VERT. _____
HORIZ. _____
DATE _____

DRAWN BY _____
CHECKED BY _____